



MATERIALS HANDLING

3

Over the past three decades Beaver has been at the forefront of developing Materials Handling products to overcome any challenge.

Beaver's Materials Handling range includes Chain and Lever blocks from 250kg to 20 tonne W.L.L, Girder Clamps and Trolleys that are compatible to all sizes, Plate Clamps, Snatch Blocks, Magnetic Lifters, Pallet Trucks, Platform Trolleys and Scissor Lift Trolleys just to name a few.



Contents

MATERIALS HANDLING

BEAVER 3G INDUSTRIAL MANUAL CHAIN LEVER BLOCKS	4
BEAVER 3G-V INDUSTRIAL MANUAL CHAIN LEVER BLOCKS	6
BEAVER V-SERIES INDUSTRIAL MANUAL CHAIN BLOCKS	8
BEAVER 3G INDUSTRIAL CHAIN BLOCKS	10
BEAVER PUSH AND GEARED GIRDER TROLLEYS	14
BEAVER PIPE TROLLEY	20
BEAVER GIRDER CLAMPS	21
BEAVER HORIZONTAL & VERTICAL PLATE CLAMPS	25
BEAVER MATERIALS HANDLING	26
BEAVER HEAVY DUTY SNATCH BLOCKS	37
BEAVER HAND SHEAVES	39
BEAVER WIRE ROPE HOISTS	40
BEAVER LIFTALL ELECTRIC CHAIN HOISTS AND TROLLEYS	43
BEAVER PERMANENT MAGNET LIFTER	47
BEAVER ELECTRIC WINCHES	50
BEAVER BRAKE HAND WINCHES	53
BEAVER HAND PALLET TRUCKS	56
BEAVER SCISSOR LIFT TABLES & HAND TROLLEYS	58
BEAVER HAND TROLLEYS	59
BEAVER 3G LEVER BLOCK SPARE PARTS LIST	62
BEAVER SPARE PARTS LIST - HANDI-PRO 250KG	64
BEAVER SPARE PARTS LIST - V- SERIES LEVER BLOCK	66
BEAVER SPARE PARTS LIST - V- SERIES CHAIN BLOCK	72
BEAVER CHAIN BLOCK SPARE PARTS LIST	77
PRODUCT REFERENCE GUIDE	79

BEAVER 3G INDUSTRIAL MANUAL CHAIN LEVER BLOCKS



Beaver 3G Industrial Manual Chain Lever Blocks

- Heavy duty, available from 250kg to 6 tonne capacity.
- Lever blocks are a versatile lifting & tensioning device widely used in rigging, construction & mining.
- Lever blocks can be used in any direction, but must be in a straight line.
- The Beaver lever block has a chain guide fitted in order to stop the load from jumping out of the pockets on the load sprocket.
- The Beaver 3G Industrial Chain Lever Block mechanism and gears are enclosed in a robust all steel compact shell.
- The load chain is made of high resistance, Grade 80 Alloy Steel, black finish, heat treated, calibrated and marked according to International Standards ISO 3077 and ISO 1834.
- All Beaver lever block gears are fitted with industrial Roller bearings.
- The short arm lever and the gear ratio allows minimum effort to raise maximum load with maximum security.
- The top and bottom hooks come complete with cast latches.
- Top and bottom hooks are fitted with ball bearings to allow rotation under load.
- Ergonomic and heavy free knob to ensure easy and convenient handling.
- Machined and heat treated gears, offering better durability and longer life cycle.
- Every Beaver 3G Industrial Lever Block is operationally tested to its rated capacity and is supplied with a Beaver test certificate, relating to its stamped identification side plate.
- Beaver 'ID' plates and rivets are supplied in stainless steel (a non conductive material) in order to avoid dangerous sparking, making them ideal for underground mining.
- A comprehensive range of spare parts are available, complete with full repair facilities and re-testing to NATA specifications.

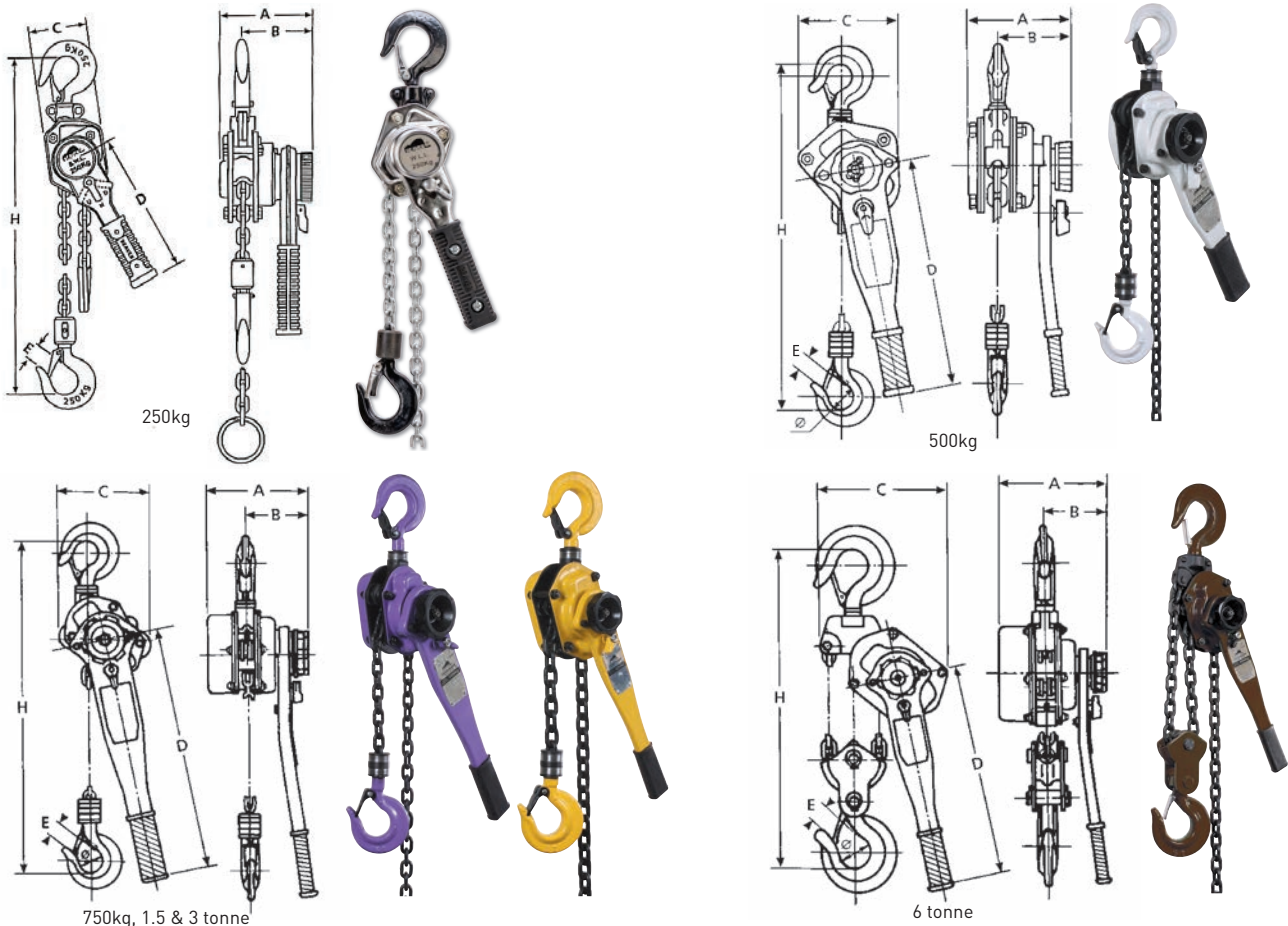


Beaver 3G Industrial Manual Chain Lever Blocks

Complies to AS 1418.2 and approved Colour Coded to Match International Lifting Standard.

Spare Parts, see page 63.

Product Code		504025	504050M	504075M	504150M	504300M	504600M
Rated Capacity (kg)		250	500	750	1500	3000	6000
Colour Code		Silver	White	White	Violet	Yellow	Brown
Standard Lift	Metre	1	1.5	1.5	1.5	1.5	1.5
Test Load	Kn	3.125	7.3	11	22	44.1	73.5
Headroom	H (mm)	245	305	267	300	395	515
Effort on lever to lift full load	N	260	340	196	206	324	343
No. of load chain falls	-	1	1	1	1	1	2
Diameter of load chain	(mm)	4	5	6	8	10	10
Length of Lever Handle	D (mm)	160	288	286	415	415	420
Dimensions mm	A	87	110	147	170	191	192
	B	66	80	90	100	108	108
	C	65	122	138	165	210	281
	E	20	23	28	26	43	57
Weight	kg	2.13	4.5	7	11	20	30



BEAVER 3G-V INDUSTRIAL MANUAL CHAIN LEVER BLOCKS



Beaver Industrial Manual Chain Lever Blocks with Safety Overload Clutch (Limiter)



Model: 3G-V Capacities : 750kg to 9 tonne

Beaver's range of Lever Blocks with built-in safety overload clutch (limiter) technology, means greater work safety when lifting or pulling. This range of Lever Blocks have been carefully developed to comply with Australian Standards.

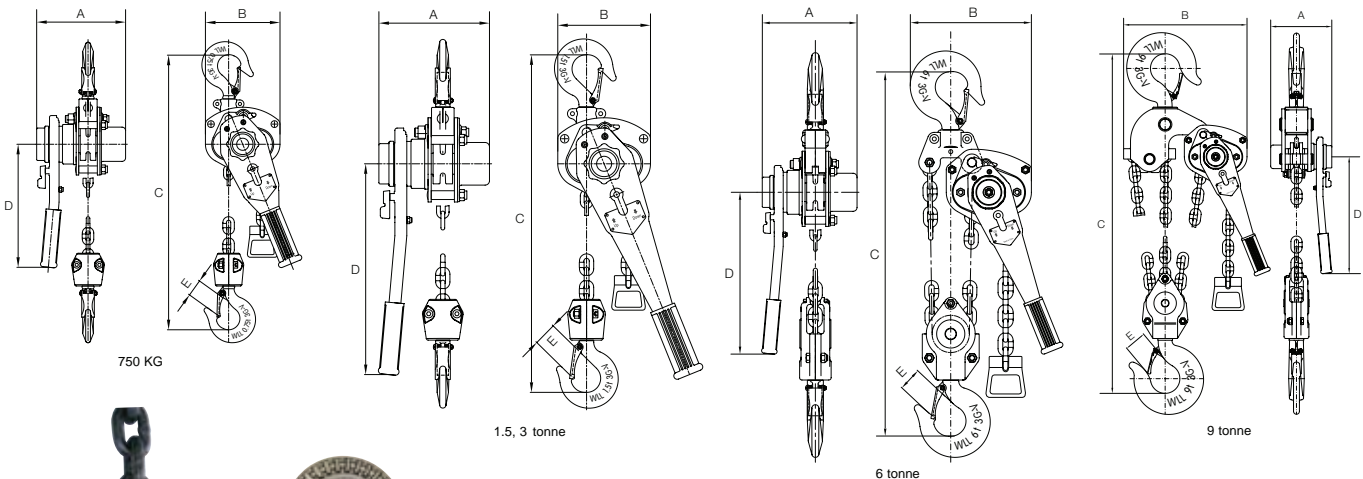
- Heavy duty, available up to 9 tonne capacity, the V-Series industrial manual lever block is designed for a variety of applications in mining, heavy industry, major construction works and off shore exploration.
- The V-Series Lever Block has all the features of the Beaver 3G lever blocks, with extra safety built into its design.
- The load chain is made of high resistance, Grade 80 Alloy Steel, black finish, heat treated, calibrated and marked according to International Standards ISO 3077 and ISO 1834.
- All Beaver lever block gears are fitted with industrial Roller bearings.
- Incorporating a safety overload clutch (limiter) mechanism, an added safety precaution, as the handle cuts out at around 30% more than the rated W.L.L. to prevent severe overloading of the lever block.
- Each 3G-V Chain Lever Block is operationally tested to its rated capacity and is supplied with a Beaver test certificate, relating to its stamped identification side plate.



Beaver Model 3G-V Industrial Manual Chain Lever Blocks c/w Safety Overload Clutch (Limiter)

Complies to AS 1418.2

Product Code		505075VM	505150VM	505300VM	505600VM	505900VM
Rated Capacity [kg]		750	1500	3000	6000	9000
Lift Height m		Orange	Orange	Orange	Orange	Orange
Test Load Standard Lift Min. distance between two hooks Efforts required at capacity No. of load chains Diameter of load chain	Tonne	1.125	2.25	4.5	9.0	13.5
	m	1.5	1.5	1.5	1.5	1.5
	mm	295	335	450	542	645
	N	140	234	363	370	420
	-	1	1	1	2	3
Dimensions (mm)						
	A	152	152	175	195	195
	B	128	128	148	181	366
	C	295	295	335	450	720
	D	256	256	368	368	368
	E	26	26	38	37	64
Weight						
	Kg	7.7	10.6	20.0	28.0	43.0



Precision engineered lower hooks with thrust roller bearings for trouble-free operation.

Spare Parts, see page 66.

BEAVER 3G-V-SERIES INDUSTRIAL MANUAL CHAIN BLOCKS



Beaver 3G-V chain blocks with Safety Overload Clutch (Limiter)

- ▶ Beaver's 3G-V chain blocks feature a safety load limiting clutch protection which results in greater work safety when lifting. This range of Chain Blocks has been carefully developed to comply with Australian Standards. They are to be used for vertical lifts only as if they are side loaded or used horizontally, jamming of the load chain and damage to the blocks may occur.
- ▶ The V-Series Chain Block has all the features of the Beaver 3G lever blocks, but with extra features.
- ▶ The load chain is made of high resistance, Grade 80 Alloy Steel, black finish, heat treated, calibrated and marked according to International Standards ISO 3077 and ISO 1834.
- ▶ All Beaver Chain Block gears are fitted with industrial roller bearings.
- ▶ Incorporating a safety overload clutch (limiter) mechanism, an added safety precaution, as the hand chain stops operating when overloaded by approx. 30% more than the rated W.L.L to prevent severe overloading of the chain block.



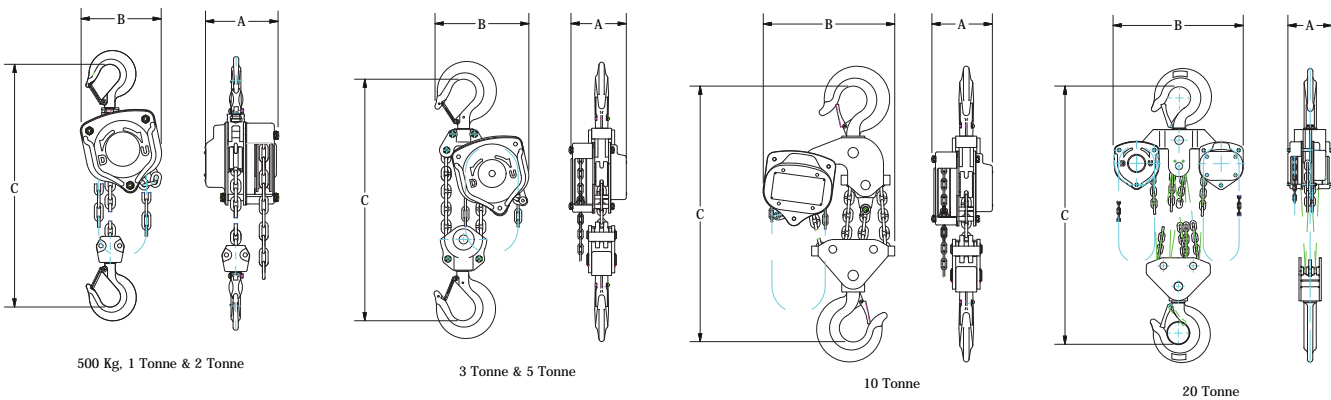
- ▶ Use of the safety overload clutch reduces downtime, repair costs and extends the service life of the chain block.
- ▶ Every Beaver 3G Industrial Chain Block is operationally tested to its rated capacity and is supplied with a Beaver test certificate, relating to its stamped identification side plate.
- ▶ Beaver 'ID' plates and rivets are supplied in stainless steel and non conductive material in order to avoid dangerous sparking, making them ideal for underground mining.
- ▶ A comprehensive range of spare parts are available, complete with full repair facilities and re-testing to NATA specifications.



Beaver 3G-V chain blocks with Safety Overload Clutch (Limiter)

Product Code	502053VM	502103VM	502203VM	502303VM	502503VM	502603VM	502703VM
Rated Capacity Tonne	0.5	1	2	3	5	10	20
Standard Lift (m)	3	3	3	3	3	3	3
Falls of Chain	1	1	1	2	2	4	8
Efforts to lift Rated Capacity (N)	231	309	320	360	414	420	870
Test Load (kN)	6.3	12.5	25	37.5	75	125	250
Nett Weight (kg)	7.75	11.9	18.5	24	42.4	78	162
Load Chain Diameter (mm)	5	6	10	8	10	10	10
Weight per extra metre lift (kg)	1.5	1.8	2.3	4.2	4.9	9.8	19.6
Clearance Dimensions (mm)							
A	115	143	152	148	181	181	209
B	136	156	198	182	266	365	625
C	270	317	414	465	636	798	890
D	25	27	39	38	48	57	81

Note: In addition to standard 3 and 6 metre lifts other chain lengths are available on request.



Spare Parts, see page 72.

BEAVER 3G INDUSTRIAL CHAIN BLOCKS



Beaver 3G Industrial Chain Blocks

Chain blocks are designed for use on monorails, jibs fixed installations and for maintenance use. They are to be used for vertical lifts only. If they are side loaded or used horizontally, jamming of the loader chain and damage to the blocks may occur.

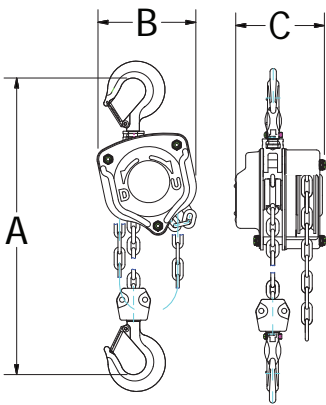
- Beaver 3G industrial chain blocks are colour coded to match international lifting standards for fast and accurate identification of W.L.L.
- The Beaver 3G Industrial Chain Block has improved reinforced side covers, made from heavy duty steel to ensure full protection of the vital gears, shafts and bearings.
- The load chain is made of high resistance, Grade 80 Alloy Steel, black finish, heat treated, calibrated and marked according to International Standards ISO 3077 and ISO 1834.
- All Beaver Chain Block gears are fitted with industrial Roller bearings.
- Strong and engineering designed gear on Ratchet gear part to ensure maximum performance and security.
- Machined and heat treated gears, offering better durability and longer life cycle.
- Superior Weston type friction braking system that works with load pressure and incorporates high strength twin synchronized pawls for additional safety ensuring that it cannot be free wheeled, extending the product life.
- The top and bottom hooks come with cast/heavy duty latches.
- Top and bottom hooks fitted with ball bearings to allow rotation under load.
- Every Beaver 3G Industrial Chain Block is operationally tested to its rated capacity and is supplied with a Beaver test certificate, relating to its stamped identification side plate.
- Beaver 'ID' plates and rivets are supplied in stainless steel and non conductive material in order to avoid dangerous sparking, making them ideal for underground mining.
- A comprehensive range of spare parts are available, complete with full repair facilities and re-testing to NATA specifications.



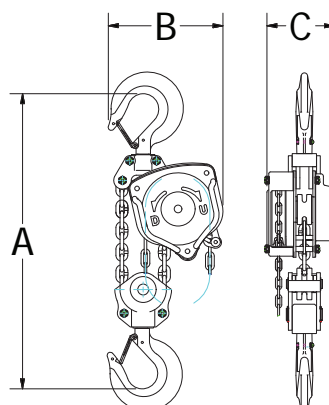
Beaver 3G Industrial Manual Chain Blocks

Complies to AS 1418.2 and approved Colour Coded to Match International Lifting Standard.

Product Code	500053M	500056M	500103M	500106M	500203M	500206M	500303M	500306M
Rated Capacity (kg)	500	500	1000	1000	2000	2000	3000	3000
Colour Code	White	White	Violet	Violet	Green	Green	Yellow	Yellow
Standard Lift (m)	3	6	3	6	3	6	3	6
Falls of Chain	1	1	1	1	1	1	2	2
Efforts to lift full load (kg)	21	21	33	33	36	36	39	39
Net Weight (kg)	8	13	11	17	25	35	26	37
Hand Chain Overhauled to lift load one metre	32	32	39	39	77	77	154	154
Load Chain Diameter (mm)	5	5	6	6	10	10	8	8
Dimensions mm								
A (Headroom)	290	290	340	340	450	450	500	500
B (Width)	142	142	170	170	240	240	205	205
C (Depth)	114	114	135	135	128	128	155	155
D (Diameter)	128	128	150	150	218	218	185	185
Hook opening (upper)	23	23	28	28	35	35	39	39
Hook opening (lower)	23	23	28	28	35	35	39	39



500 Kg, 1 Tonne & 2 Tonne



3 Tonne & 5 Tonne



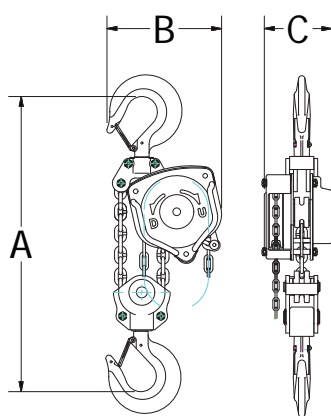
Spare Parts, see page 77.

BEAVER 3G INDUSTRIAL CHAIN BLOCKS (CONT'D)

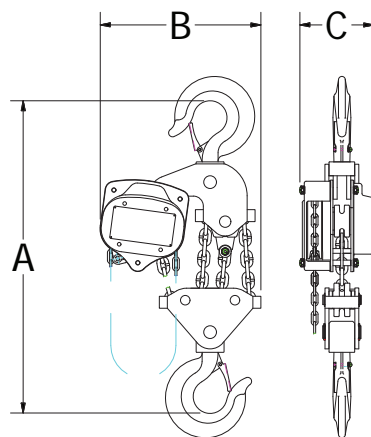
Beaver 3G Industrial Manual Chain Blocks (Cont'd)

Complies to AS 1418.2 and approved Colour Coded to Match International Lifting Standard.

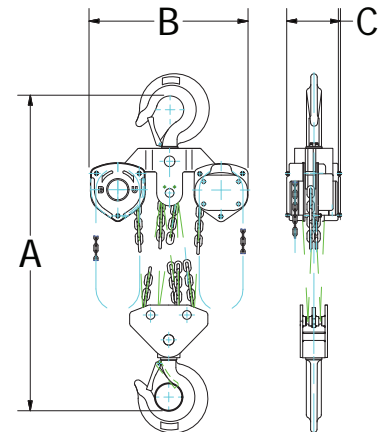
Product Code	500503M	500506M	500603M	500606M	500703M	500706M	500806M
Rated Capacity	5000	5000	10000	10000	20000	20000	30000
Colour Code	Red	Red	Orange	Orange	Orange	Orange	Orange
Standard Lift (m)	3	6	3	6	3	6	6
Falls of Chain	2	2	4	4	8	8	12
Efforts to lift full load (kg)	42	42	45	45	45	45	49
Net Weight (kg)	39	56	78	125	122	175	491
Hand Chain Overhauled to lift load one metre	32	154	154	308	2 x 308	2 x 308	2 x 465
Load Chain Diameter (mm)	5	10	10	10	10	10	10
Dimensions mm							
A (Headroom)	620	620	840	840	1060	1060	1500
B (Width)	240	240	240	240	240	240	705
C (Depth)	178	178	178	178	210	210	485
D (Diameter)	218	218	218	218	218	218	263
Hook opening (upper)	45	45	57	57	75	75	75
Hook opening (lower)	45	45	75	75	75	75	75



3 Tonne & 5 Tonne



10 Tonne

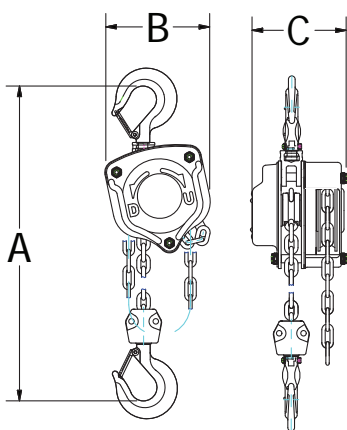


Spare Parts, see page 77.

Beaver Entertainment 3G Industrial Manual Chain Blocks - Black Powder Coated

Complies to AS 1418.2

Product Code	500053MB	500056MB	500103MB	500106MB
Rated Capacity (kg)	500	500	1000	1000
Colour Code	Black	Black	Black	Black
Standard Lift (m)	3	6	3	6
Falls of Chain	1	1	1	1
Efforts to lift full load (kg)	21	21	33	36
Net Weight (kg)	8			25
Hand Chain Overhauled to lift load one metre	32	32	39	77
Load Chain Diameter (mm)	5	5	6	6
Dimensions (mm)				
A (Headroom)	290	290	340	450
B (Width)	142	142	170	240
C (Depth)	114	114	135	128
D (Diameter)	128	128	150	218
Hook opening (upper)	23	23	28	39
Hook opening (lower)	23	23	28	39



500 Kg, 1 Tonne



BEAVER PUSH AND GEARED GIRDER TROLLEYS



Beaver Push and Geared Girder Trolleys

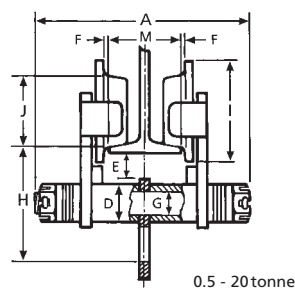
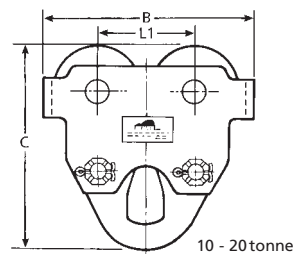
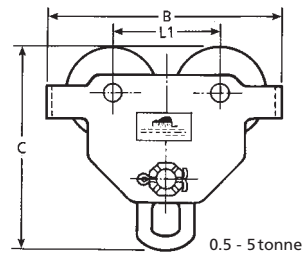
- Beaver Push and Geared Girder Trolleys are colour coded for even safer lifting capacity recognition.
- These Push and Geared Trolleys are designed to run on either RSJ or Universal Beams.
- All Beaver Push and Geared Trolleys are fully adjustable to suit varying flange widths up to a maximum of 350mm with the simple addition or subtraction of spacers or nuts on a suspension pin.
- Easy and simple mounting in different locations.
- Independent hanging eye for easy attachment of chain blocks.
- Precision ball bearing trolley wheels complete with dust cover and clip.
- Lightweight robust all-steel construction.
- Anti-derailment end plates fitted as standard for added safety.
- Anti-tilt blocks fitted as standard for additional safety.
- Hand chain on Geared Trolleys has a special, corrosion resistant Zinc dichromate (gold) finish.
- Each Beaver Girder Trolley has an individual serial number stamped on the stainless steel identification plate. This number coincides directly to the test certificate of the product, for quick and easy tracing and reference.
- Every Beaver Girder Trolley is operationally tested to 150% of its rated capacity and comes with a test certificate.
- Spare trolley wheels are available, complete with full repair facilities and re-testing in Beaver's NATA Accredited test facility.



Beaver Push Girder Trolleys

Complies to AS 1418.2 - Orange Colour

Product Code	522015S
Capacity W.L.L. (kg)	1500
Beam Width (mm)	74 - 203
Proof Load (kN)	22.06
Standard Lift (m)	3
Effort Rated Capacity (N)	70
Minimum Radius of Curve (m)	1
A (mm) (Overall width)	338
B (mm) (Length)	260
C (mm)	238
D (mm)	45
E (mm)	38
F (mm)	1.5-3
G (mm)	33
H (mm) (Headroom)	134
I (mm) (Flange Dia.)	102
J (mm)	74
L1 (mm)	125
Net Weight (kg)	17.5



Beaver Push & Geared Girder Trolleys are not designed for passenger elevator applications and must not be used for this purpose. Selection and calculation of the proper beam construction are the responsibility of the user.

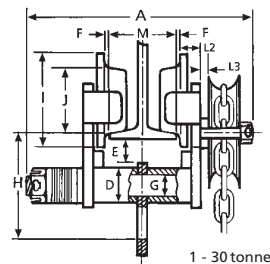
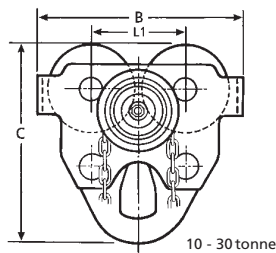
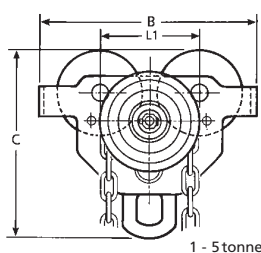
BEAVER PUSH AND GEARED GIRDER TROLLEYS (CONT'D)

Beaver Geared Girder Trolleys

Complies to AS 1418.2 and approved Colour Coded to Match International Lifting Standard

Product Code	523010S	523020S	523030S	523050S	523100S	523200S	523300S
Rated Capacity	1 tonne	2 tonne	3 tonne	5 tonne	10 tonne	20 tonne	30 tonne
Colour Code	Violet	Green	Yellow	Red	Orange	Orange	Orange
Proof Load (kN)	14.71	29.42	44.13	61.29	122.58	245.17	367.74
Adjustable Beam Width (mm)	64-203	88-203	100-305	114-305	124-305	136-305	175-305
Standard Lift (m)	3	3	3	3	3	3	3
Effort at Rated Capacity (N)	50	90	95	140	240	250	250
Minimum Radius of Curve (m)	1.0	1.1	1.3	1.4	2.0	3.5	6.0
A (mm) (Overall Width)	338	349	464	476	510	600	673
B (mm) (Length)	246	276	332	377	424	555	710
C (mm)	222	263	309	353	396	498	598
D (mm)	40	52	58	64	64	75	90
E (mm)	38	38	40	42	45	58	65
F (mm)	1.5 - 3	1.5 - 3	1.5 - 3	2 - 3.5	2 - 3.5	2 - 3.5	2 - 3.5
G (mm)	30	36	42	48	48	55	65
H (mm) (Headroom)	125	150	171	186	190	233	285
I (mm) (Flange Dia.)	95	108	131	144	176	226	286
J (mm)	68	80	100	110	136	175	200
L1 (mm)	120	132	155	168	200	272	330
L2 (mm)	23	26	29	35	52	78	100
L3 (mm)	8	8	10	10	25	58	82
Net Weight (kg)	14.5	21.5	31	46	75	172	337

Beaver Push & Geared Girder Trolleys are not designed for passenger elevator applications and must not be used for this purpose. Selection and calculation of the proper beam construction are the responsibility of the user.

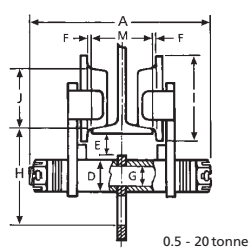
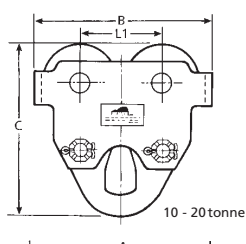
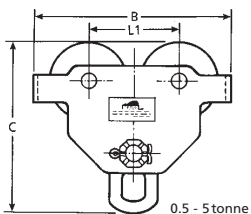


Beaver Push Girder Trolleys

Complies to AS 1418.2 and approved Colour Coded to Match International Lifting Standard

Product Code	522005S	522010S	522020S	522030S	522050S	522100S	522200S
Rated Capacity	500 kg	1 tonne	2 tonne	3 tonne	5 tonne	10 tonne	20 tonne
Colour Code	White	Violet	Green	Yellow	Red	Orange	Orange
Proof Load (kN)	7.35	14.71	29.42	44.13	61.29	122.58	245.17
Adjustable Beam Width (mm)	50-152	64-203	88-203	100-305	114-305	124-305	136-305
Minimum Radius of Curve (m)	0.8	1	1.1	1.3	1.4	2	3.5
A (mm) (Overall Width)	245	311	327	445	457	490	558
B (mm) (Length)	199	246	276	332	377	424	555
C (mm)	187	222	263	309	353	396	498
D (mm)	34	40	52	58	64	64	75
E (mm)	30	38	38	40	42	45	58
F (mm)	1.5 - 3	1.5 - 3	1.5 - 3	1.5 - 3	2 - 3.5	2 - 3.5	2 - 3.5
G (mm)	24	30	36	42	48	48	55
H (mm) (Headroom)	105	125	150	171	196	190	233
I (mm) (Flange Dia.)	79	95	108	131	144	176	226
J (mm)	55	68	80	100	110	136	175
L1 (mm)	100	120	132	155	168	200	272
Net Weight (kg)	6.5	10.5	17.5	27	41	71	168

Beaver Push & Geared Girder Trolleys are not designed for passenger elevator applications and must not be used for this purpose. Selection and calculation of the proper beam construction are the responsibility of the user.



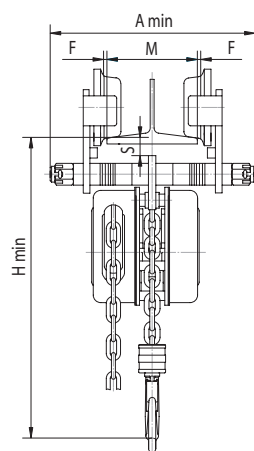
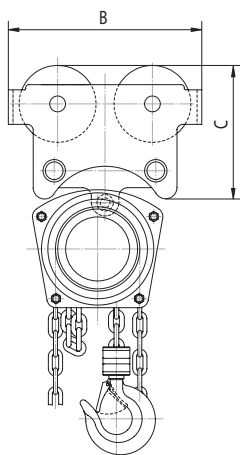
BEAVER PUSH AND GEARED GIRDER TROLLEYS (CONT'D)

Beaver Close Headroom Push Girder Trolleys

(to suit 3G chain blocks) Complies to AS 1418.2

Product Code	522005SC	522010SC	522020SC	522030SC	522050SC
Rated Capacity	500 kg	1 tonne	2 tonne	3 tonne	5 tonne
Colour Code	White	Violet	Green	Yellow	Red
Proof Load (kN)	7.35	14.71	29.42	44.13	61.29
Adjustable Beam Width (mm)	50-152	64-203	88-203	100-305	114-305
Minimum Radius of Curve (m)	0.8	0.9	1	1.2	1.3
A (mm) (Overall Width)	236	303	317	435	457
B (mm) (Length)	199	246	276	332	377
C (mm)	31.5	164	183	224	246
H (mm)	300	385	480	520	640
S (mm)	30	38	38	40	42
F (mm)	1.5 - 3	1.5 - 3	1.5 - 3	1.5 - 3	1.5 - 3
M (mm)	50-152	64-203	88-203	100-305	114-305
Net Weight (kg)	14	23.5	39	59.5	89

Beaver Push & Geared Close Coupled Girder Trolleys are not designed for passenger elevator applications and must not be used for this purpose. Selection and calculation of the proper beam construction are the responsibility of the user.

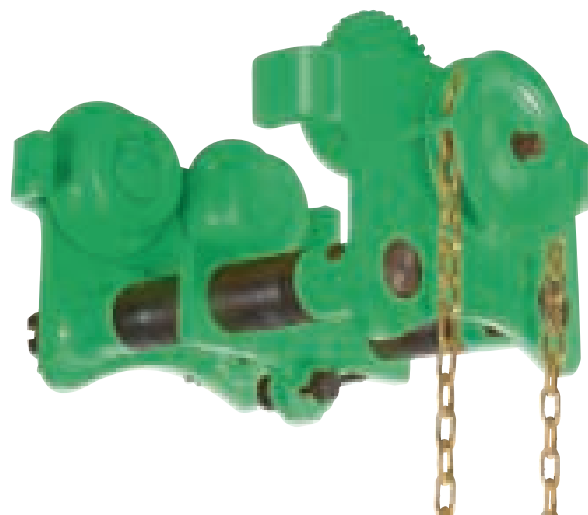
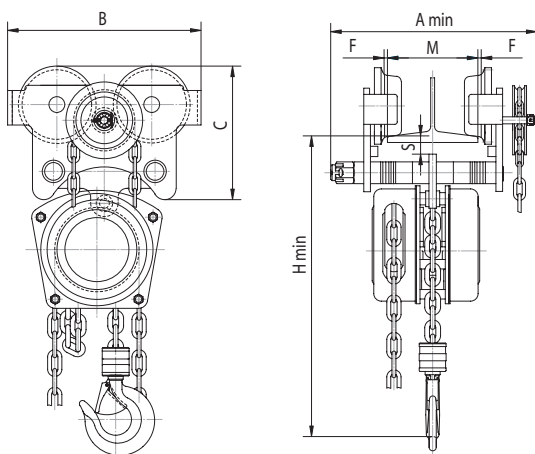


Beaver Close Headroom Geared Girder Trolleys

(to suit 3G chain blocks) Complies to AS 1418.2

Product Code	523010SC	523020SC	523030SC	523050SC
Rated Capacity	1 tonne	2 tonne	3 tonne	5 tonne
Colour Code	Violet	Green	Yellow	Red
Proof Load (kN)	14.71	29.42	44.13	61.29
Running Height	2.5	2.5	2.5	2.5
Chain Pull (full load) (kg)	50	90	95	140
Adjustable Beam Width (mm)	64-203	88-203	100-305	114-305
Minimum Radius of Curve (m)	0.9	1	1.2	1.3
A (mm) (Overall Width)	334	343	459	475
B (mm) (Length)	246	276	332	377
C (mm)	164	183	224	246
H (mm)	385	480	520	640
S (mm)	38	38	40	42
F (mm)	1.5 - 3	1.5 - 3	1.5 - 3	1.5 - 3
M (mm)	64-203	88-203	100-305	114-305
Net Weight (kg)	27.5	43	63.5	93

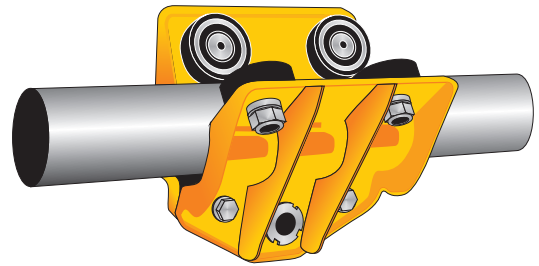
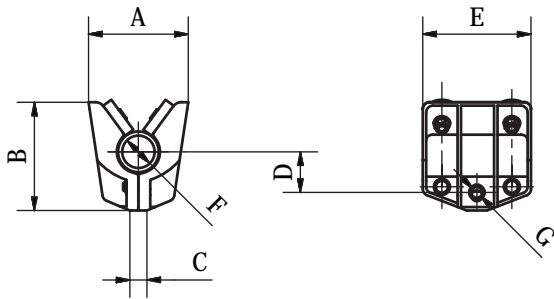
Beaver Push & Geared Close Coupled Girder Trolleys are not designed for passenger elevator applications and must not be used for this purpose. Selection and calculation of the proper beam construction are the responsibility of the user.



BEAVER PIPE TROLLEY

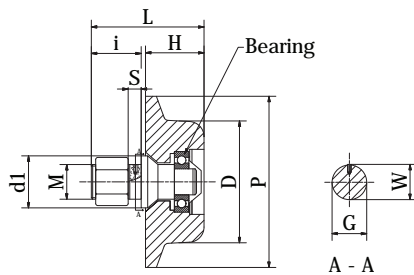
Beaver Pipe Trolley

Code	Capacity W.L.L. (kg)	Pipe Dia.	A mm	B mm	C mm	D mm	E mm	F mm	G mm	Weight (kg)	UOM
522003PT	300	60	147.5	160	22	68	160	60	17	2.5	Each



Beaver Single Flange Steel Plain Trolley Wheels

Code	Capacity W.L.L. (kg)	L mm	H mm	i mm	S mm	d1 mm	M mm	D mm	P mm	G mm	W mm	Weight (kg)	UOM
525005S	0.5	52.5	27	23	6	24	16	55	79	16	17.6	1.8	Each
525010S	1	60	30	27	8	27	18	68	95	19	20.6	2	Each
525020S	2	72	34	34	10	35	24	80	108	25	27	2.8	Each
525030S	3	83	39	41	12	42	30	100	131	35	32	4	Each
525050S	5	102	50	49	16	45	36	110	144	35	38.5	4.8	Each
525100S	10	129.5	58	68	30	60	42	136	176	48	52	6.2	Each

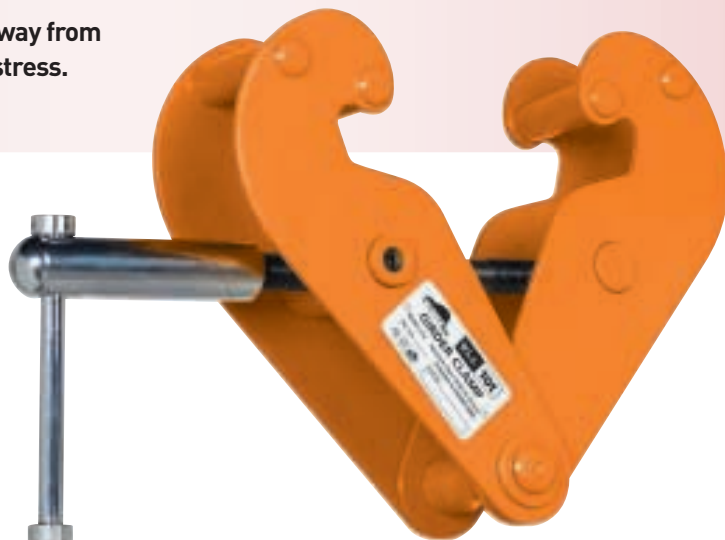


BEAVER GIRDER CLAMPS



Beaver are proud to introduce our range of colour coded Girder Clamps, giving instant recognition to the user of the clamp capacity. Designed to provide a quick and versatile point for all your lifting, rigging and hoisting needs.

- The Girder Clamps are colour coded for even safer lifting capacity recognition.
- The threaded adjustment mechanism easily attaches to the beam or girder flange to provide a safe and secure grip.
- Additional security is provided by threaded adjustment screws secured by using the counter-sunk allen head screw to lock the threaded adjustment bar in position with a copper flat.
- Easy and simple mounting for permanent or temporary mounting in different locations.
- Adjustable to fit a wide range of flange widths and beams.
- Special clamp jaw design applies load away from the edge of the flange, reducing flange stress.
- Built-in load bar provides reduced headroom.
- Robust all steel construction.
- Every Beaver Girder Clamp has an individual serial number stamped on the body of the clamp and also on the stainless steel identification plate. This number coincides directly to the test certificate of the product for quick and easy tracing and reference.
- All Beaver Girder Clamps are operationally tested to 150% of the Working Load Limit (W.L.L.) and come with individual test certificates.
- Complies to AS 4991



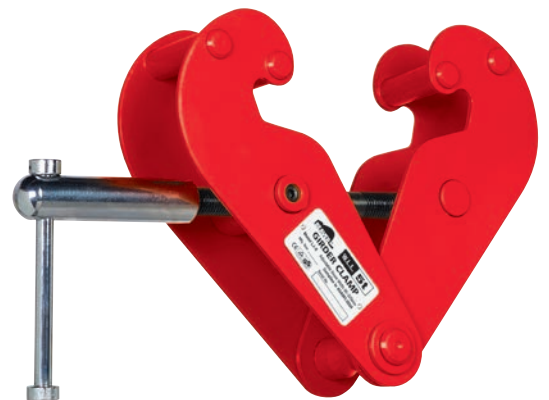
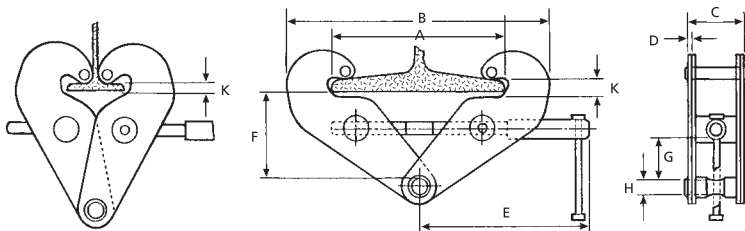
BEAVER GIRDER CLAMPS (CONT'D)

Beaver Girder Clamps - Model Type: YC - Industrial

Complies to AS 4991 and approved Colour Coded to Match International Lifting Standard

Product Code	270010Y	270020Y	270030Y	270050Y	270100Y
Working Load Limit (kg)	1000	2000	3000	5000	10000
Colour Code	Violet	Green	Yellow	Red	Orange
Adjustable Beam Width (mm)	75 - 230	75 - 230	80 - 320	90 - 320	90 - 320
Net Weight (kg)	3.8	4.6	9.2	11.0	17.2
A max. (mm)	246	246	320	320	320
B	min. (mm)	186	186	242	268
	max. (mm)	350	350	455	480
C	66	74	102	110	118
D	4	6	8	10	12
E	215	215	255	255	275
F	min. (mm)	90	90	143	133
	max. (mm)	133	133	195	185
G min.	44	44	75	75	66
H	20	20	22	28	38
K	min. (mm)	14	14	30	34
	max. (mm)	21	21	34	35

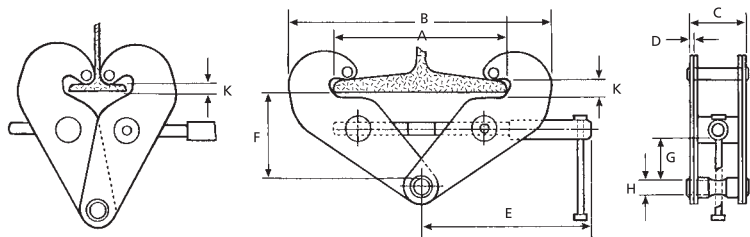
Beaver Push & Geared Close Coupled Girder Trolleys are not designed for passenger elevator applications and must not be used for this purpose. Selection and calculation of the proper beam construction are the responsibility of the user.



Beaver Entertainment Girder Clamps

Black Powder Coated. Model Type: YE. Complies to AS 4991 and approved

Product Code	270010YE	270020YE
W.L.L. (kg)	1000	2000
Colour	Black	Black
Beam Width (mm)	75-250	75-250
Net Weight (kg)	3.80	4.80
A Max. (mm)	266	266
B Min. (mm)	186	186
B Max. (mm)	400	400
C (mm)	66	74
D (mm)	4	6
E (mm)	230	230
F Min. (mm)	90	90
F Max. (mm)	115	115
G Min.	44	44
H (mm)	20	20
K Min. (mm)	14	14
K Max. (mm)	21	21



BEAVER GIRDER CLAMPS (CONT'D)



Beaver Integral Push Trolley and Girder Clamp

The Beaver Integral Push Trolley and Girder Clamp is designed to provide a quick and easy attachment to overhead beams for transporting loads for permanent or temporary mounting in different locations. The integral clamp is adjustable to the beam width in the same manner as the Beaver Girder Clamp (model YC), by rotating the threaded spindle. Complies to AS 1418.2.

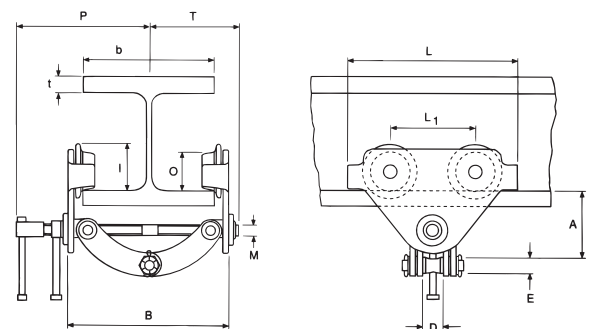
- ▶ For additional safety the threaded adjustment mechanism is secured by tightening the locking lever against the sideplate.
- ▶ Threaded spindle mechanism, zinc plated for superior corrosion protection.
- ▶ Easily adjustable to suit a wide range of flange widths and beams from 75mm to 200mm.
- ▶ Robust steel construction with durable enamel paint finish in yellow for YT and black for YTE models.
- ▶ Built-in load bar for reduced headroom.
- ▶ Every Beaver Integral Push Trolley and Girder Clamp has an individual serial number stamped on the body of the clamp and also onto the aluminium identification plate which is securely mounted to the trolley side plate. This number coincides directly to the test certificate of the product for quick and easy tracing and reference.
- ▶ All Beaver Integral Push Trolley and Girder Clamps are operationally tested to 150% of the rated capacity and come with individual test certificates.

Beaver Integral Push Trolley and Girder Clamps

Yellow Powder Coated Model Type:

YT Complies to AS 1418.2

Product Code	270010YT	270020YT	270030YT
W.L.L. (kg)	1000	2000	3000
Beam Width (mm)	75-200	75-200	75-200
A (mm)	80-152	106-155	128-171
D (mm)	42	42	50
E (mm)	20	20	22
I (mm)	71.5	71.5	95.5
L (mm)	260	260	310
L1 (mm)	130	130	150
M (mm)	M16	M18	M24
O (mm)	60	60	60
P (mm)	195	205	220
T (mm)	155	139	155
t (mm)	25	25	25
Net Weight (kg)	9.40	9.90	17.50

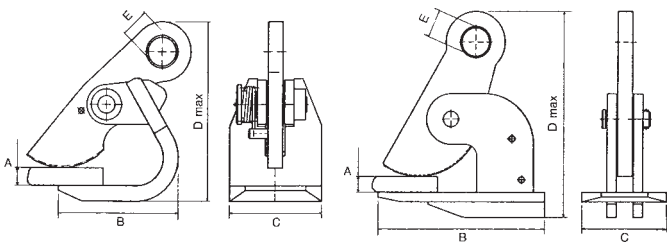


BEAVER HORIZONTAL & VERTICAL PLATE CLAMPS

Beaver Horizontal Plate Clamps

Model Type: CQ Complies to AS 4991

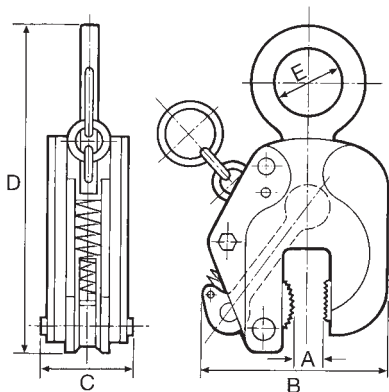
Product Code	W.L.L. per pair (kg)	Jaw Openings Max. mm	A mm	B Max. mm	C mm	D mm	E mm	Net Weight per pair (kg)
250150A	1500	50	0-50	127	100	218	30	8.2
250300A	3000	50	0-50	220	110	270	36	15
250500A	5000	60	0-60	260	130	315	40	27.6



Beaver Vertical Plate Clamps

Model Type: VC Complies to AS 4991

Product Code	W.L.L. (kg)	A Jaw Openings mm	B mm	C mm	D mm	E mm	Net Weight per pair (kg)
261130	1000	0-30	144	70	286	60	3.6
261240	2000	0-40	170	82.5	297	60	5
261350	3000	0-50	207	88	336	60	7.7

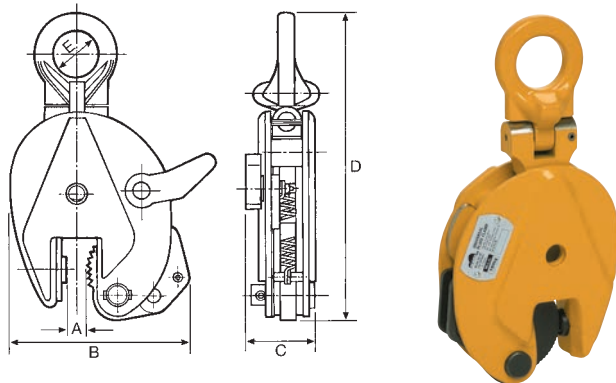


BEAVER MATERIALS HANDLING

Beaver Universal Plate Clamps

Model Type: UC Complies to AS 4991

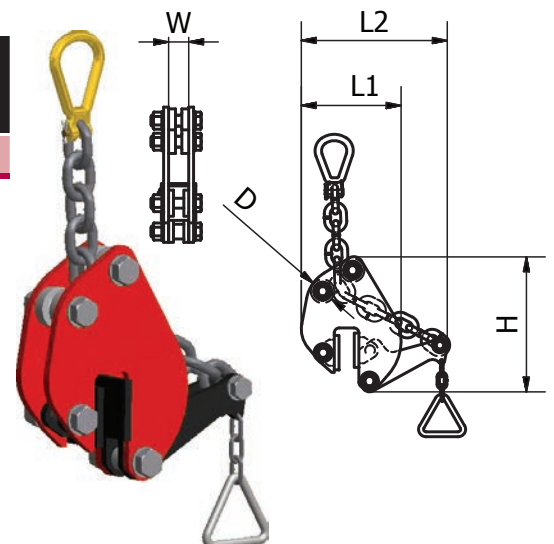
Product Code	W.L.L. (kg)	A Jaw Openings mm	B mm	C mm	D mm	E mm	Net Weight (kg)	UOM
261050	500	0 - 15	105	45	218	30	2	Each
261075	750	0 - 15	105	45	218	30	2	Each
261100	1000	0 - 20	145	63	305	48	5	Each
261200	2000	0 - 25	175	68	368	68	7.5	Each
268300	3000	0 - 28	218	90	395	74	15.5	Each
268500	5000	0 - 32	268	120	478	80	22	Each



Beaver Non Marring (Non Marking) Plate Clamps for Stainless Steel

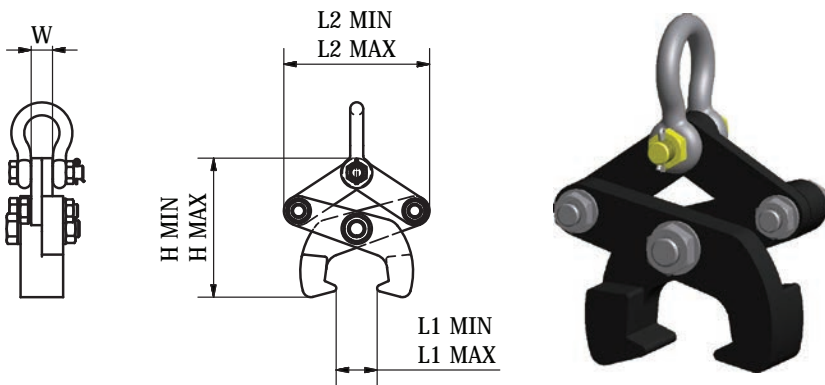
Complies to AS 4991

Product Code	W.L.L. (kg)	Jaw Opening mm	W mm	L1 mm	L2 mm	D mm	H mm	Nett Weight (Kg)	UOM
267400	1500	0 - 20	41	203	297.5	48	275	6.6	Each



Railway Line Lifting Tongs

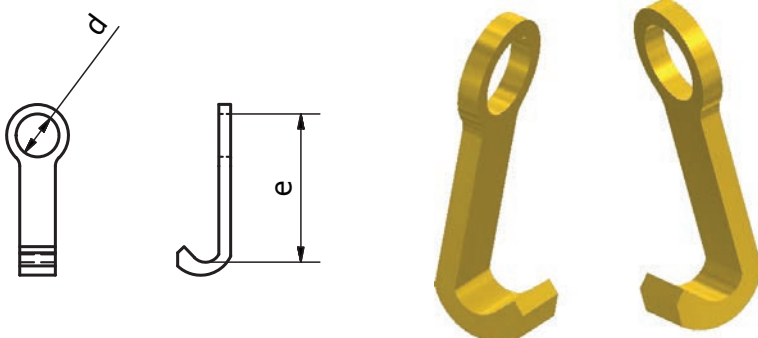
Product Code	W.L.L. (kg)	Weight (Kg)	L1 min mm	L1 max mm	L2 min mm	L2 max mm	H min mm	H max mm	W mm	UOM
263150R	1500	7.5	0	80	190	220	265	180	26	Each



Beaver Drum Hooks - Drop forged Grade 80 Heat treated, Painted Yellow

Complies to AS 3776 for Grade 80 Fittings

Product Code	W.L.L. per pair (kg)	Grade 80 Chain mm	d mm	e mm	Net Weight per Pair (kg)	UOM
886840	2000	40397	40	165	1.8	Each

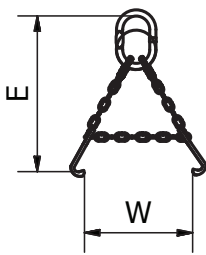


BEAVER MATERIALS HANDLING (CONT'D)

Drum Lifting Sling Assembly

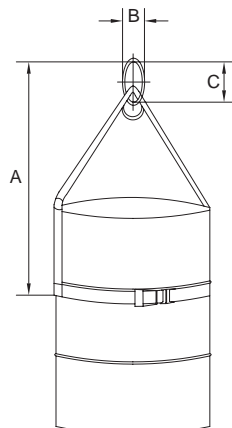
Including oblong link, chain connectors, grade 80 alloy chain & Drum hooks. Intended for use with steel 205 Litre (ie. 44 gallon) drums in accordance with the diagram as displayed complying to Australian Standard for Chain Slings

Product Code	W.L.L. (kg)	Grade 80 Chain mm	Chain Length m	E mm	W Drum Size Ltr	Net Weight (kg)	UOM
263507K	1000	7	2.5	1139	200	4.5	Each



Beaver Drum Lifting Web Sling c/w Oblong Link

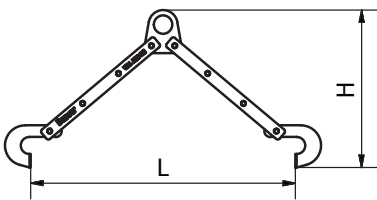
Product Code	W.L.L. Tonne	Webbing mm	A mm	B mm	C mm	Net Weight (kg)	UOM
346001F	500	50	1100	65	110	2.8	Each



Horizontal Drum Lifting Clamps

Complies to AS 4991

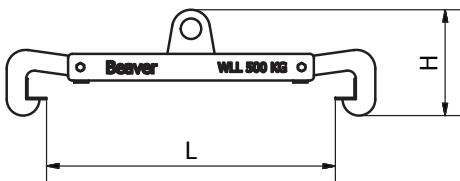
Product Code	W.L.L. Tonne	Type	L Drum Size Ltr	H mm	Net Weight (kg)	UOM
261500	500	Horizontal	200	152	7	Each



Beaver Vertical Drum Lifting Clamps

Complies to AS 4991

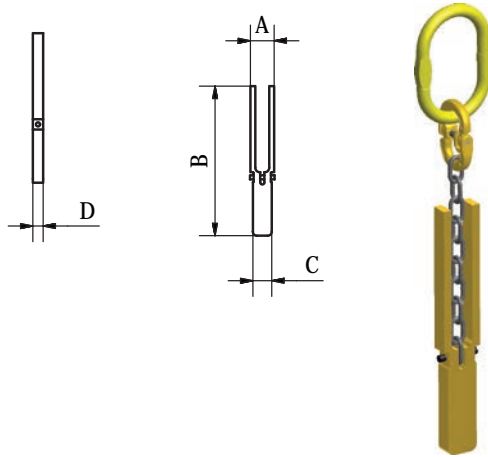
Product Code	W.L.L. Tonne	Type	L Drum Size Ltr	H mm	Net Weight (kg)	UOM
262500	500	Vertical	200	470	5	Each



BEAVER MATERIALS HANDLING (CONT'D)

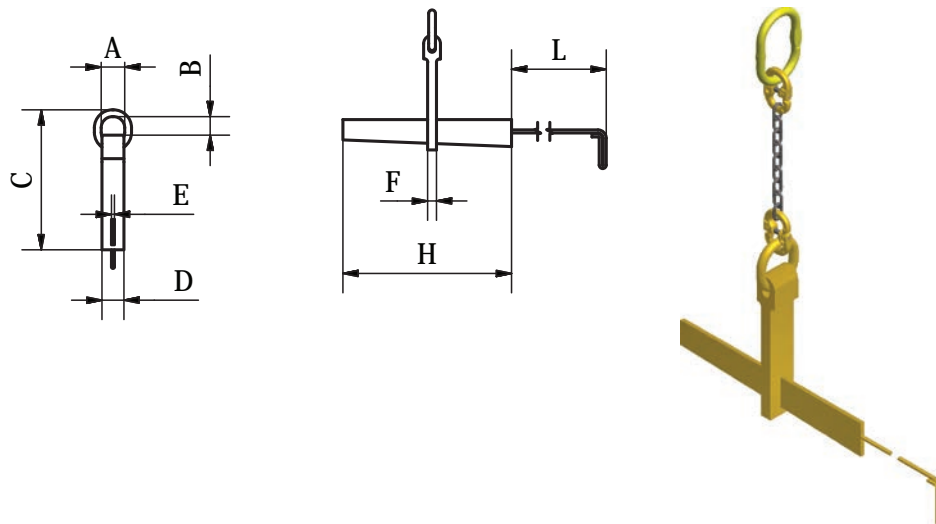
Beaver Pipe Lifters 2 Tonne

Product Code	W.L.L. Tonne	A mm	B mm	C mm	D mm	Net Weight (kg)	UOM
266020	2T	58	365	46	25	2	Each



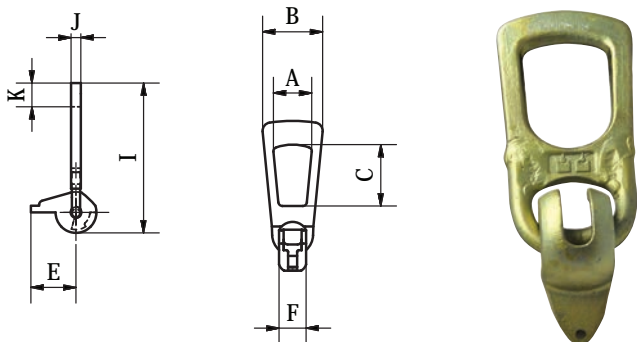
Beaver Pipe Lifters 5 Tonne

Product Code	W.L.L. Tonne	A mm	B mm	C mm	D mm	E mm	F mm	H mm	L mm	Net Weight (kg)	UOM
266050	5T	70	70	405	65	9	26	500	1000	9	Each



Beaver Concrete Lifting Clutch

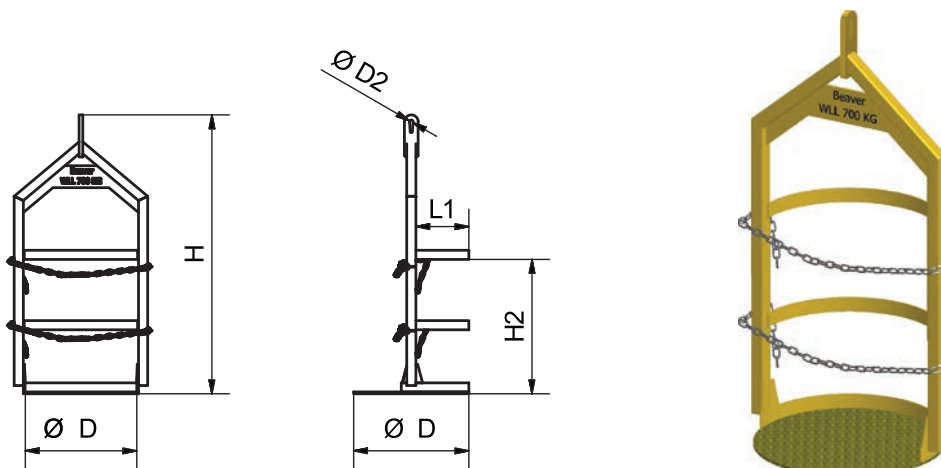
Product Code	W.L.L. Tonne	A mm	B mm	C mm	F mm	J mm	K mm	E mm	I mm	Net Weight (kg)	UOM
260013	1.3T	47	79	68.5	34	14	22	55	162	1	Each
260025	2.5T	54	92	81.49	44	16	28	70	205	1.6	Each
260050	5.0T	69	122	84	58	20	40	85	237	3.4	Each
260100	10T	98	171	114	77	26	52	118	348	9.6	Each
260200	20T	116	196	150	110	35	74	155	441	21	Each
260320	32T	180	272	189	153	40	100	214	584	58	Each



Beaver Drum Lifting Frame

Lifts Drums with Lids On or Off

Product Code	W.L.L. Tonne	Drum Size (l)	H mm	H2 mm	Ø D mm	Ø D2 mm	L1 mm	Weight (kg)	UOM
263507T	700	200	1600	750	610	20	305	53	Each

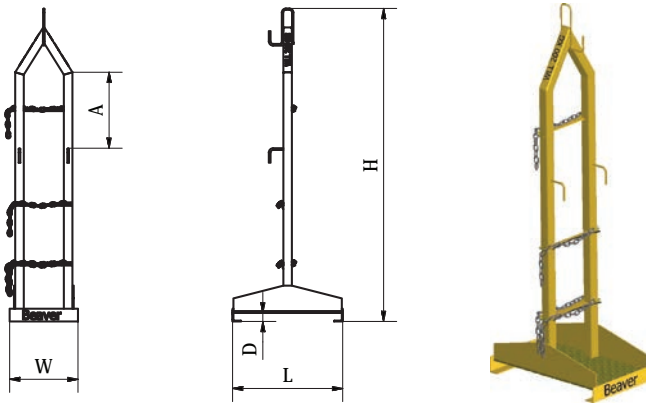


BEAVER MATERIALS HANDLING (CONT'D)

Beaver Oxygen / Acetylene Gas Bottle Lifting Frame

Easy lifting of gas bottles

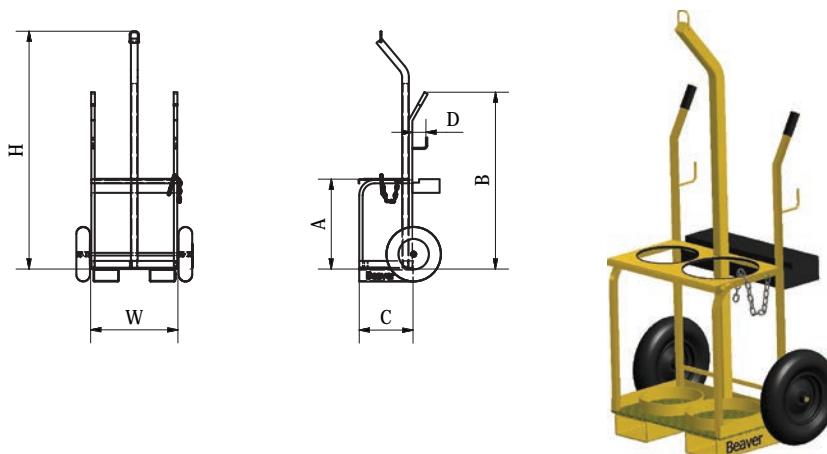
Product Code	Capacity (kg)	H mm	W mm	L mm	A mm	D mm	Weight (kg)	UOM
263200F	200	1890	400	645	460	50	35	Each



Beaver Oxygen / Acetylene Gas Bottle Trolley

Designed for use as trolley, lifting frame or use with a forklift

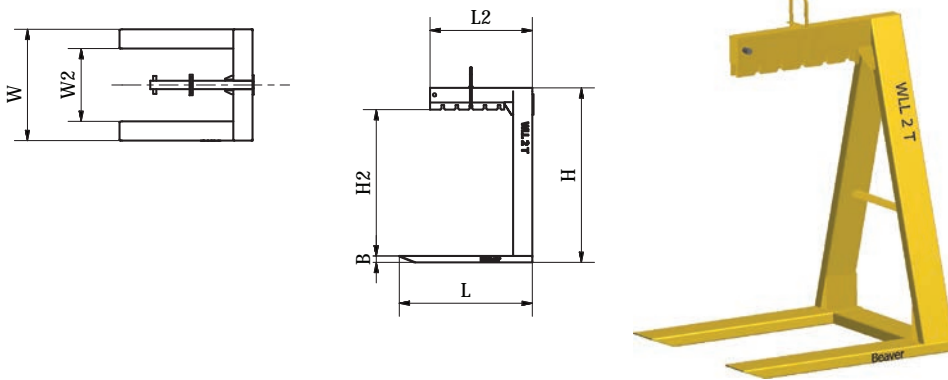
Product Code	Capacity (kg)	H mm	B mm	W mm	C mm	A mm	D mm	Weight (kg)	UOM
263200T	200	1600	1280	635	394	644	100	76	Each



Beaver Pallet Lifting Frame

Designed for use on mobile, overhead and truck cranes

Product Code	Capacity (kg)	H mm	H2 mm	L mm	W mm	W2 mm	L2 mm	B mm	A mm	Weight (kg)	UOM
263220	2000	1390	1145	1040	870	570	800	50	73	98	Each

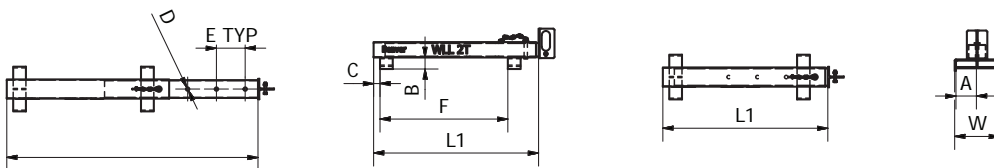


Beaver Extendable Forklift Boom

Simple to fit and use. Safe and easy to adjust

Product Code	Capacity (kg)	D mm	E Type mm	B mm	C mm	F mm	A mm	W mm	Weight (kg)	UOM
262223	2000	18	225	60	50	1000	161	322	46	Each

	L1 Closed mm	1 Extension Point mm	2 Extension Point mm	Fully Open mm
Length	1300	1525	1750	1975
W.L.L. (kg)	2000	1650	1300	950



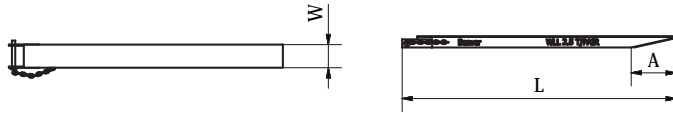
Other sizes and capacities available on request.

BEAVER MATERIALS HANDLING (CONT'D)

Beaver Forklift Slippers

Designed to fit standard 2500kg tyres, Fully Tested & Certified

Product Code	Capacity [kg]	L mm	W mm	A mm	Weight [kg]	UOM
263225	2500	2000	150	330	57	Each

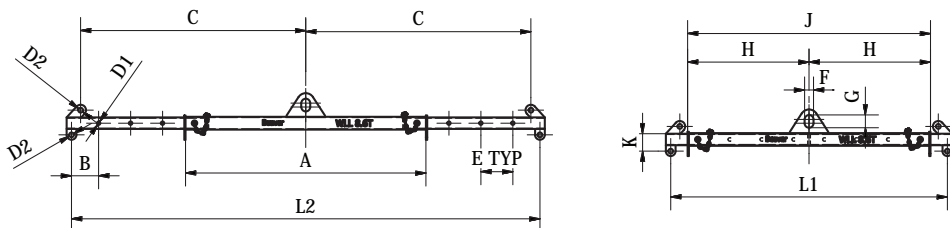


Other sizes and capacities available on request.

Beaver Extendable Combination Lifting & Spreader Beams to 8600kg

Complies to AS 4991

Product Code	Length mm	W.L.L. as Lifting Beam (kg)	W.L.L. as Spreader Beam (kg)	J mm	H mm	F mm	G mm	K mm	L1 mm	C mm	D1 mm	D2 mm	A mm	B mm	L2 mm	E TYP mm	UOM
263821	2145	3000	8600	1917	958.5	50	100	135	2145	1822.5	26	28	1917	184	3645	250	Each
	2645	2550	8600														
	3145	2200	8600														
	3645	2000	8600														

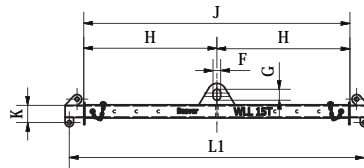
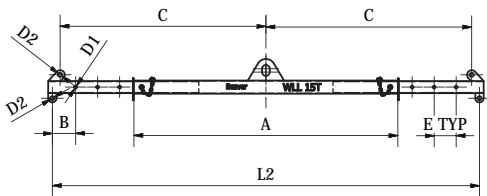


Other sizes and capacities available on request.

Beaver Extendable Combination Lifting & Spreader Beams to 15000kg

Complies to AS 4991

Product Code	Length mm	W.L.L. as Lifting Beam (kg)	W.L.L. as Spreader Beam (kg)	J mm	H mm	F mm	G mm	K mm	L1 mm	C mm	D1 mm	D2 mm	A mm	B mm	L2 mm	ETYP mm	UOM
263926	2400	4200	15000	2072	1036	50	100	175	2400	1800	32	32	2072	282.5	3600	200	Each
	2800	3600	15000														
	3200	3100	15000														
	3600	2800	15000														



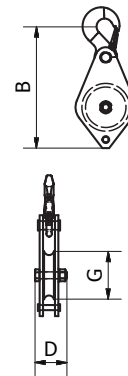
Other sizes and capacities available on request.

BEAVER MATERIALS HANDLING (CONT'D)

Beaver Single Hand Operated Sheave Blocks with Swivel Hook

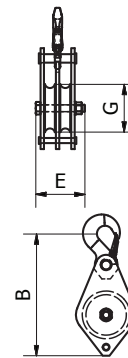
Designed for use on mobile, overhead and truck cranes

Product Code	G Sheave Dia. mm	Wire Dia. mm	Fibre Rope mm	B mm	D mm	W.L.L. (kg)	UOM
550063	63	5	10	168	35	250	Each
550076	76	6	12	189	35	250	Each
550089	89	7	14	253	38	250	Each
550102	102	8	16	276	48	500	Each
550114	114	9	18	322	48	750	Each
550127	127	10	20	333	61	1000	Each
550152	152	12	24	380	71	1000	Each
550178	178	14	28	443	83	1500	Each
550203	203	16	32	500	94	2000	Each



Beaver Double Hand Operated Sheave Blocks with Swivel Hook

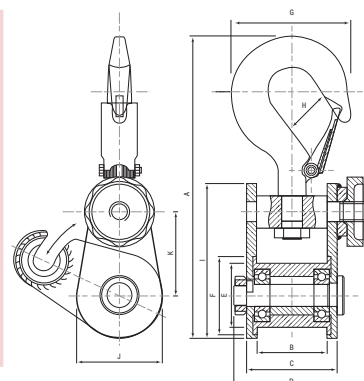
Product Code	G Sheave Dia. mm	Wire Dia. mm	Fibre Rope mm	B mm	E mm	W.L.L. (kg)	UOM
551063	63	5	10	168	59	250	Each
551076	76	6	12	189	59	250	Each
551089	89	7	14	253	64	250	Each
551102	102	8	16	276	79	500	Each
551114	114	9	18	322	79	750	Each
551127	127	10	20	333	95	1000	Each
551152	152	12	24	380	107	1500	Each



Beaver Web Snatch Blocks

Product Code	Sheave Dia. mm	Web Dia. mm	Weight kg	Dimensions - mm												W.L.L. kg	UOM
				A	B	C	D	E	F	G	H	I	J	K			
557075	60	50-56	2.68	215	54.5	70.5	107.5	50	60	87	24	120	65	65	750	Each	

- Thoroughly inspected and tested in accordance with AS 2089
- Special side design for easy web assembly
- Fully machined sheave
- All Beaver Web Snatch Blocks have an individual test serial number stamped on the identification plate
- Solid, all steel construction
- Roller bearing for easy movement



BEAVER HEAVY DUTY SNATCH BLOCKS



Beaver's range of Heavy Duty Snatch Blocks offer the best in innovation, safety, reliability and performance with applications for construction mining, offshore exploration and the building industry.

- Solid all-steel construction.
- Easy opening mechanism ensures a fast change of wire rope while block is suspended.
- Fully machined sheave.
- Sheave has a sealed ball bearing system, fully lubricated for maintenance free operation.
- Forged steel eye is designed to avoid twisting of unit during operation.
- Fitted with grease nipples for ease of maintenance.
- Special design of side plates restricts rope from jamming.
- Beaver Heavy Duty Snatch Blocks are operationally tested to 2 times the Working Load Limit (W.L.L.) and come with an individual test certificate.
- Each unit is supplied complete with Grade 'S' safety bow shackle to Australian Standard AS 2741.
- All Beaver Heavy Duty Snatch Blocks have an individual test serial number stamped on the identification plate.
- Manufactured and tested to Australian Standard AS 2089 Appendix (I).



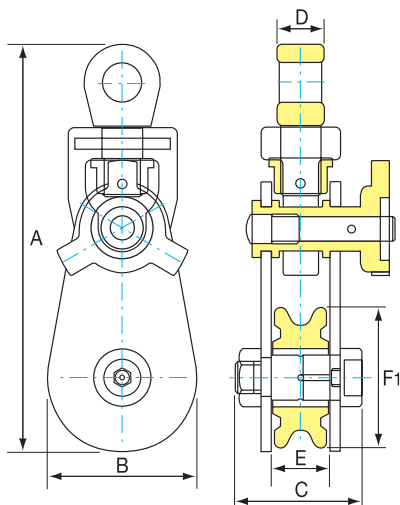
BEAVER HEAVY DUTY SNATCH BLOCKS (CONT'D)

Beaver Super Snatch Blocks

Heavy Duty Snatch Blocks Complies to AS 2089

C/W Grade 'S' Safety Bow Shackle. Shackle Complies to AS 2741

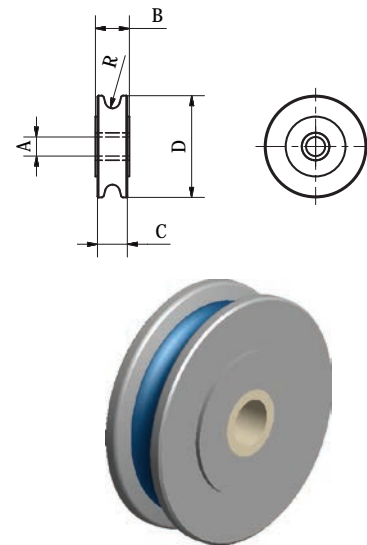
Product Code	W.L.L. Tonne	Wire Rope Dia. mm	Sheave Dia. mm F1	Dimensions mm					Grade 'S' Safety Bow Shackle to AS 2741
				A	B	C	D	E	
557210S	4000	14	210	367	220	68	32	32	22 x 25mm
	3700	12							
557275S	8000	18	275	518	285	94	40	48	25 x 29mm
	6000	16							
557395S	12000	26	395	682	410	133.5	52	63.5	35 x 38mm
	12000	22							
557420S	15000	28	420	725	435	133.5	55	63.5	38 x 41mm
	15000	26							
557480S	22000	32	480	867	500	155	68	70	44 x 51mm
	20000	28							
557675S	30000	44	675	1146	700	173.5	82	90	51 x 57mm
557750S	50000	52	750	1435	780	235	100	105	63 x 70mm
	50000	48							



BEAVER HAND SHEAVES

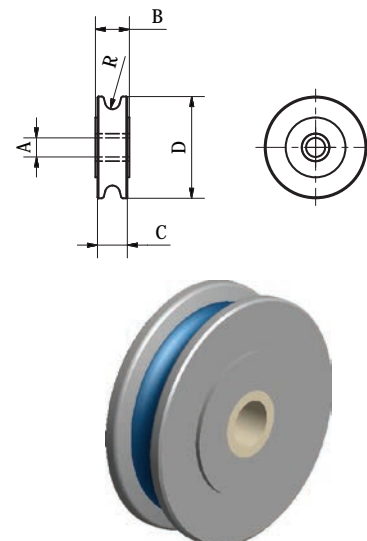
Beaver Hand Sheaves to Suit Fibre Rope

Product Code	D Sheave Dia. mm	R Fibre Rope mm	A mm	B mm	C mm	W.L.L. (kg)	UOM
558063	63	10	12.5	20.5	19.5	250	Each
558076	75	12	12.5	20.5	19.5	250	Each
558089	89	14	16	21	18	250	Each
558102	100	16	19	24.5	23	500	Each
558114	114	18	22	28	25	750	Each
558127	125	20	22	29.5	27	1000	Each
558152	150	24	25	32	30	1000	Each
558178	178	28	33	39	36	1500	Each
558203	200	32	35	46	44	2000	Each



Beaver Hand Sheaves to Suit Wire Rope

Product Code	D Sheave Dia. mm	R Fibre Rope mm	A mm	B mm	C mm	W.L.L. (kg)	UOM
558063W	63	5	12.5	20.5	19.5	250	Each
558076W	75	6	12.5	20.5	19.5	250	Each
558089W	89	7	16	21	18	250	Each
558102W	102	8	20.5	28	25	500	Each
558114W	114	9	22	28	25	750	Each
558127W	125	10	22	29.5	27	1000	Each
558152W	150	12	25	32	30	1000	Each
558178W	178	14	30	39	36	1500	Each
558203W	200	16	35	46	44	2000	Each



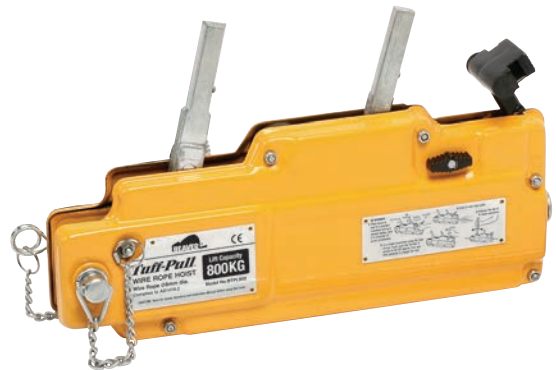
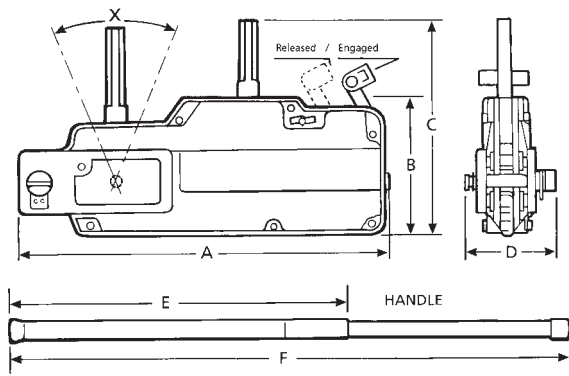
BEAVER WIRE ROPE HOISTS

Beaver Tuff - Pull™ Wire Rope Hoists

Model Type TP -C/w 20m of Wire Rope

Complies to AS 1418.2 Compact Steel Housing (Orange)

Product Code	Rated Capacity Pulling (kg)	Rated Capacity Lifting (kg)	Wire Rope Dia. mm	Std Rope Length m	Rope advanced per full stroke cycle mm	Effort on handle at rated lifting capacity; Forward operation. Kn	Nett weight Wire Rope and Reel (kg)	Nett weight without Wire Rope (kg)	A mm	B mm	C mm	D mm	E mm	F mm	X mm
519508	1250	800	8.3	20	752	343N	6.7	6.7	439	175	269	60	800	-	77.5
519516	2500	1600	11	20	755	441N	17	17	546	196	334	82	800	1200	90.5
519532	5000	3200	16	20	728	441N	29	29	685	241	389	110	800	1200	140





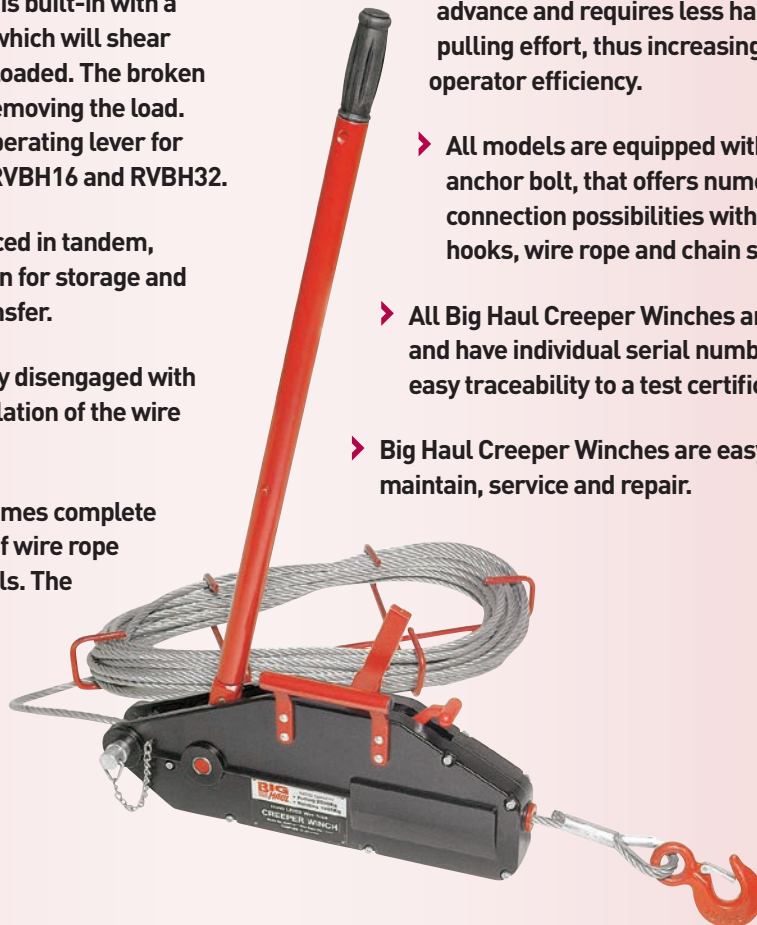
A versatile portable and compact creeper winch for pulling, lifting, lowering, spanning, 4WD recovery and securing loads over large distances. Complies to AS 1418.2

- Lightweight, safe and easy to operate.
- Compact, high strength aluminium alloy housing with smooth contour design, a large flat base surface for increased stability in horizontal and vertical working positions.
- An overload protection system is built-in with a shear pin in the forward lever which will shear when approximately 25% overloaded. The broken pins can be replaced without removing the load. Spare pins are located in the operating lever for RVBH08 and in the handle for RVBH16 and RVBH32.
- Forward and reverse lever placed in tandem, providing a slim compact design for storage and ensuring maximum power transfer.
- The rope clamp system is easily disengaged with a lever, allowing smooth installation of the wire rope.
- The Big Haul Creeper Winch comes complete with operating lever and 20m of wire rope mounted on a reel for all models. The wire rope is fitted with a safety latch hook at one end and is tapered at the other end for easy insertion into the unit.

- The Big Haul Creeper Winch has a parallel clamping system, which has a large surface contact area, providing an evenly distributed grip at a lower force that results in less rope wear.

The system offers a longer rope advance and requires less handle pulling effort, thus increasing operator efficiency.

- All models are equipped with an anchor bolt, that offers numerous connection possibilities with load hooks, wire rope and chain slings.
- All Big Haul Creeper Winches are tested and have individual serial numbers for easy traceability to a test certificate.
- Big Haul Creeper Winches are easy to maintain, service and repair.

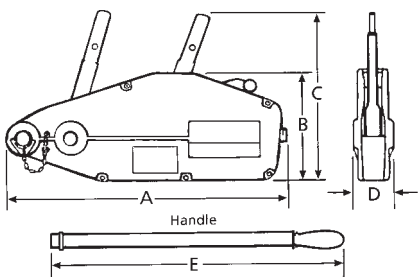
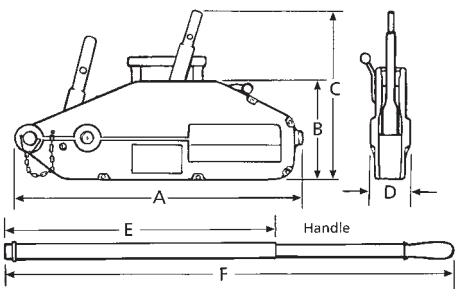
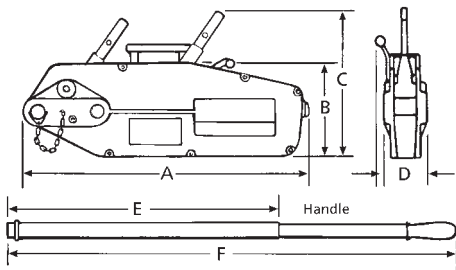


BEAVER WIRE ROPE HOISTS (CONT'D)

Beaver BigHaul™ Wire Rope Hoists

Model BigHaul -C/w 20m of Wire Rope. Complies to AS 1418.2 Compact High Strength Aluminium Alloy Housing

Product Code	Rated Capacity Pulling (kg)	Rated Capacity Lifting (kg)	Wire Rope Dia. mm	Std Rope Length m	Rope advanced per full stroke cycle mm	Effort on handle at rated lifting capacity; Forward operation. Kn	Nett weight Wire Rope and reel (kg)	Nett weight without Wire Rope (kg)	A mm	B mm	C mm	D mm	E mm	F mm
518508	1250	800	8.3	20	60	284	7.5	7.5	430	165	230	60	800	N/A
518516	2500	1600	11	20	60	412	12	12	540	190	300	75	790	1200
518532	5000	3200	16	20	40	441	13	13	660	220	330	110	790	1200



BEAVER LIFTALL ELECTRIC CHAIN HOISTS AND TROLLEYS



A cost efficient and robust hoist, the Beaver LIFTALL Electric Chain Hoists and Trolleys are the first choice when you need to lift heavy loads to a budget. The all steel construction ensures durability and strength, also having Plated European Load Chain you know the most important component won't let you

down. Beaver have invested time and money on research and development to guarantee the Beaver LIFTALL Electric Chain Hoists and Trolleys will give you the trouble free service you demand.



- Models available in single phase 240 volts X 50Hz and 3 phase 415 volts X 50Hz.
- Capacities from 500 kg to 3000 kg in both single and 3 phase.
- Powder coated finish.
- Grade T(80) Zinc Plated, calibrated European Load Chain for increased resistance against corrosion and wear.
- Standard lifts of 3 and 6 metres. Custom lifts are available on request.
- Chain Inspection Gauge supplied with every Hoist in order to self evaluate wear and tear on load chain.
- 5 Pocket Precision Machined Load Sprocket for smooth action.
- Reduction Gear Box is totally sealed, grease filled design ensuring that all components remain lubricated.
- Zinc Plated travel limiting springs.
- Overload Clutch to prevent damage from overloading.
- European Electric Controls (contactors and switch gear).
- IP54 Protection on Electric Hoist for dust and water proof protection.
- Thermal Protection on Hoist Motor.
- Heavy Duty **Asbestos Free** DC Brake (for fast actuation).
- Upper and Lower Limit Switches fitted as standard to prevent over travel.
- Contactor isolation **Emergency Stop**.
- 24 Volt Control via IP65 European Pendant for increased safety.
- Pendant control suspended by external wire rope (Strained Wire).
- Sealed Swivel Bearing in bottom hook for 360° operation.
- Heavy duty cast Safety Latches fitted to Top and Bottom Hook on all models.
- High Duty Cycle (up to 40% ED on 3 phase models).
- Chain Containers on all Hoists.
- Comprehensive Instruction Manual, including Wiring Diagrams and Parts Breakdown, supplied with every Hoist.
- Test Certificate supplied with every Hoist confirming that it is tested to AS 1418.2
- Radio Controls and Special Options available on request.
- Electric Trolley Model Type: available to suit a wide range of beam widths.

BEAVER LIFTALL ELECTRIC CHAIN HOISTS AND TROLLEYS (CONT'D)

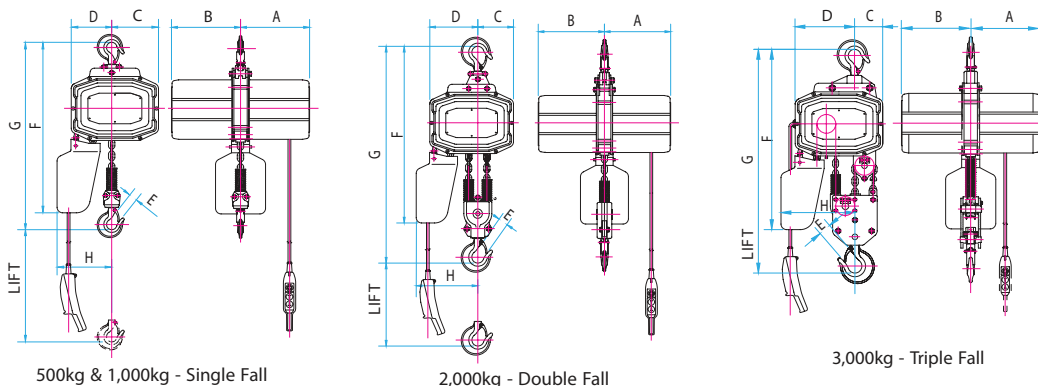
Beaver LIFTALL Electric Hoists

Model Type: BEL-1. 240 volt 50Hz (Single Phase Models) Complies to AS 1418.2

Product Code	Rated Capacity (kg)	Lift Height m	Lifting Speed m/min 50Hz	Hoist Motor Single Phase			Load Chain		Test Load Tonne	Min. Headroom G mm Max.	Min. Weight (kg) Approx.
				Output (kw) 50Hz	Ins Class	% ED	Dia. mm	No. of falls			
BEL1053S	500	3	5	0.6	E	40	7.0	1	0.625	545	64
BEL1056S	500	6	5	0.6	E	40	7.0	1	0.625	545	68
BEL1103S	1000	3	5	1.2	E	40	7.0	1	1.25	595	65
BEL1106S	1000	6	5	1.2	E	40	7.0	1	1.25	595	69
BEL1203SD	2000	3	2.5	1.2	E	40	7.0	2	2.5	700	72
BEL1206SD	2000	6	2.5	1.2	E	40	7.0	2	2.5	700	79
BEL1303ST	3000	3	1.3	1.2	E	40	7.0	3	3.75	790	80
BEL1306ST	3000	6	1.3	1.2	E	40	7.0	3	3.75	790	90

Product Code	Rated Capacity (kg)	Major Dimensions Approx. mm						
		A	B	C	D	E	F	H
BEL1053S	500	249	249	168	146	25	565	195
BEL1056S	500	249	249	168	146	25	565	195
BEL1103S	1000	249	249	168	146	30	614	195
BEL1106S	1000	249	249	168	146	30	614	195
BEL1203SD	2000	249	249	180	134	33	665	235
BEL1206SD	2000	249	249	180	134	33	665	235
BEL1303ST	3000	249	249	180	134	41	760	360
BEL1306ST	3000	249	249	180	134	41	760	360

Longer lift heights are available on request. Pendant length is 1 metre less than lift height (as Standard). All hoists supplied with top suspension hook. IP 54 rating on all hoists.



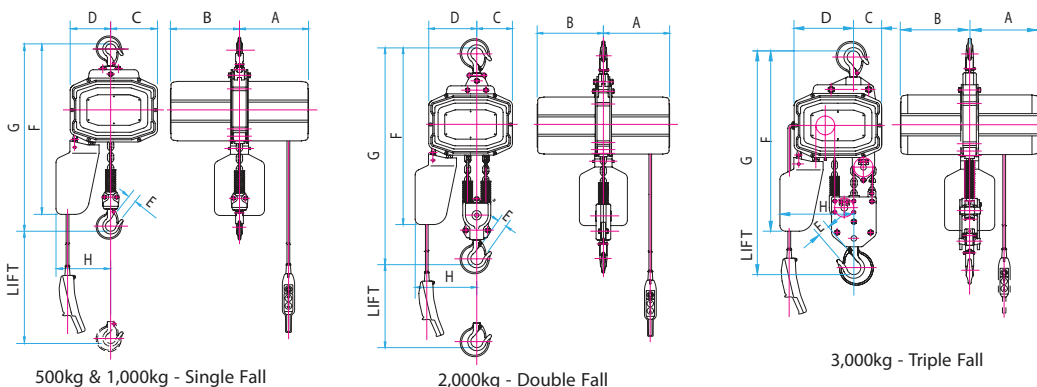
Beaver LIFTALL Electric Hoists

Model Type: BEL. 415volt 50Hz (Three Phase Models) Complies to AS 1418.2

Product Code	Rated Capacity (kg)	Lift Height m	Lifting Speed m/min 50Hz	Hoist Motor Single Phase			Load Chain		Test Load Tonne	Min. Headroom G mm Max.	Min. Weight (kg) Approx.
				Output (kw) 50Hz	Ins Class	% ED	Dia. mm	No. of falls			
BEL2053S	500	3	6.3	0.8	F	40	7.0	1	0.625	545	64
BEL2056S	500	6	6.3	0.8	F	40	7.0	1	0.625	545	68
BEL2103S	1000	3	6.3	1.6	F	40	7.0	1	1.25	595	65
BEL2106S	1000	6	6.3	1.6	F	40	7.0	1	1.25	595	69
BEL2203SD	2000	3	3.2	1.6	F	40	7.0	2	2.5	700	72
BEL2206SD	2000	6	3.2	1.6	F	40	7.0	2	2.5	700	79
BEL2303ST	3000	3	2.1	1.6	F	40	7.0	3	3.75	790	80
BEL2306ST	3000	6	2.1	1.6	F	40	7.0	3	3.75	790	90

Product Code	Rated Capacity (kg)	Major Dimensions Approx. mm						
		A	B	C	D	E	F	H
BEL2053S	500	249	249	168	146	25	565	195
BEL2056S	500	249	249	168	146	25	565	195
BEL2103S	1000	249	249	168	146	30	614	195
BEL2106S	1000	249	249	168	146	30	614	195
BEL2203SD	2000	249	249	180	134	33	665	235
BEL2206SD	2000	249	249	180	134	33	665	235
BEL2303ST	3000	249	249	180	134	41	760	360
BEL2306ST	3000	249	249	180	134	41	760	360

Longer lift heights are available on request. Pendant length is 1 metre less than lift height (as Standard). All hoists supplied with top suspension hook. IP 54 rating on all hoists.

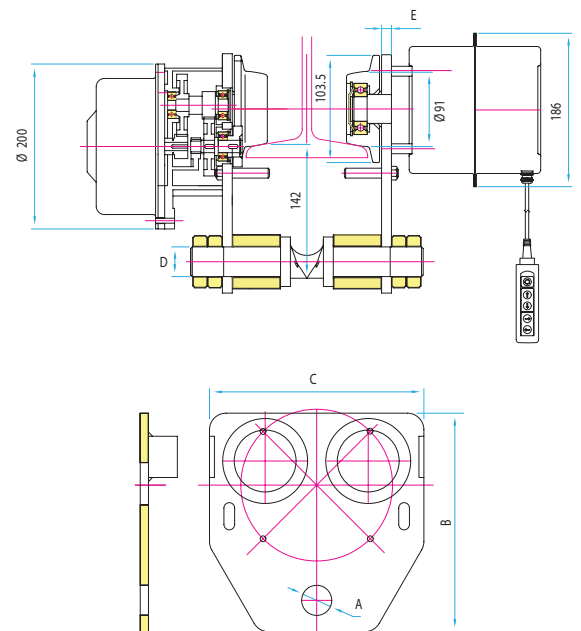


BEAVER LIFTALL ELECTRIC CHAIN HOISTS AND TROLLEYS (CONT'D)

Beaver LIFTALL Electric Trolleys

Model Type: BET. 415 volt 50Hz (Three Phase Model)

Product Code	Rated Capacity (kg)	Beam Width mm	A mm	B mm	C mm	D mm	E mm	Running Speed m/min	INS Class	% ED	Net Weight (kg)
BET1000	1000	75 - 180	27.5	265	260	27	10	20	B	20	34
BET2000	2000	75 - 180	36.5	265	260	36	10	20	B	20	35
BET3000	3000	75 - 180	42.5	265	260	42	12	15	B	20	37

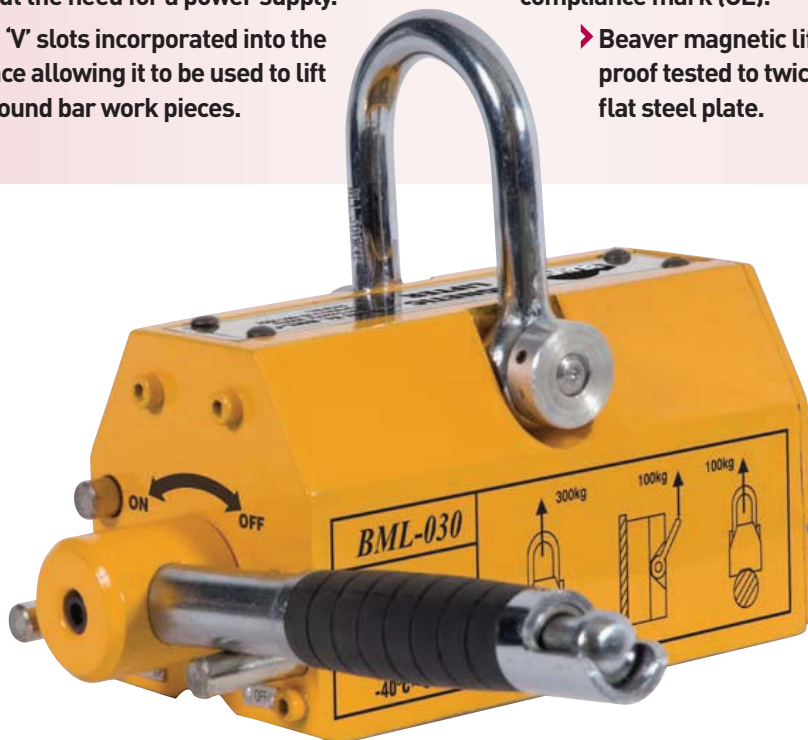


BEAVER PERMANENT MAGNET LIFTER



The Beaver Permanent Magnetic Lifter is a product for lifting and handling steel plate, pipes, beams and cylindrical work pieces of ferromagnetic materials. Beaver Magnetic Lifters contain a NdFeB permanent magnet, which can generate high holding-power in a magnetic circuit. With the use of a magnetic lifter the need for slings, clamps and special lifting frames can be eliminated. They are compact in design and construction, convenient in operation with a strong holding force, are safe and reliable. These magnetic lifters are widely used for lifting and hoisting in factories, warehouses, on wharves and at transport facilities.

- Due to the high magnetic properties of the magnetic lifter the relevant size of the unit is smaller compared to other products with the same lifting capacity.
- As the magnetic lifter is not electrically operated, accidents due to sudden power failure are avoided, the magnetic lifter can also be used outdoors or on site without the need for a power supply.
- There are 'V' slots incorporated into the holding face allowing it to be used to lift pipes or round bar work pieces.
- The special safety locking mechanism on the handle prevents the magnetic lifter from accidentally being released.
- The magnetic lifter comes complete with a rated shackle that is stamped with the Working Load Limit (W.L.L.); Test No.; Serial No.; Month and Year of manufacture and the European standard compliance mark (CE).
- Beaver magnetic lifters are individually proof tested to twice their rated capacity for flat steel plate.

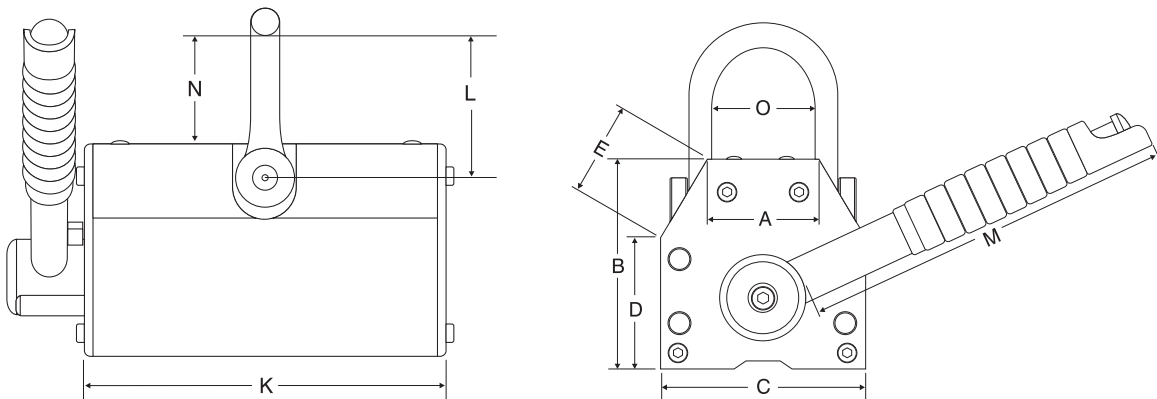


BEAVER PERMANENT MAGNET LIFTER (CONT'D)





Beaver Permanent Magnet Lifters

Complies to AS 4991

Product Code	Model Number	Rated Capacity Flat Plate W.L.L. (kg)	Rated Capacity Cylinder W.L.L. (kg)	Weight (kg)	A mm	B mm	C mm	D mm	E mm	K mm	L mm	M mm	N mm	O mm	Max Handle Turning Force
262010	BML-010	100	30	3	28	68	62	44	28	92	50	116	42	31	←4
262030	BML-030	300	100	10	44	93	92	59	39	164	75	142	59	46	←8
262060	BML-060	600	200	24	56	118	122	70	44	234	110	178	87	58	←8
262100	BML-100	1000	300	50	88	164	172	100	68	264	137	237	110	95	←16
262200	BML-200	2000	600	125	115	214	230	135	98	380	192	397	150	117	←16



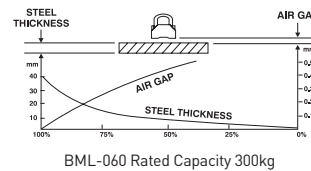
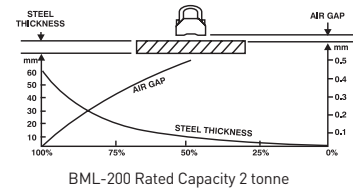
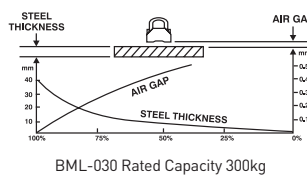
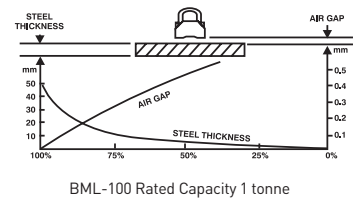
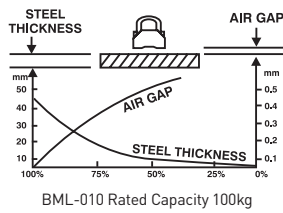
Rated Lifting Capacities

Model	Beaver Code	Horizontal	Vertical	Cylindrical
				
BML-010	262010	100kg	30kg	30kg
BML-030	262030	300kg	100kg	100kg
BML-060	262060	600kg	200kg	200kg
BML-100	262100	1 tonne	300kg	300kg
BML-200	262200	2 tonne	600kg	600kg

Working temperature -40°C to 80°C

WARNING The above table is based ferrous steel and must be read in conjunction with Steel Thickness and Air Gap Charts opposite.

Steel Thickness and Air Gap Charts



WARNING

The above charts are based on flat ferrous steel plate lifted horizontally.



BEAVER ELECTRIC WINCHES



Beaver Pull Lift Winch

➤ **Power transmission**

Power transmission from the motor to the gearbox is via a direct coupling, to ensure low power loss and accurate speed control.

➤ **Brake**

The unique braking system is designed for both static and dynamic loading. Large friction area brake discs for greater efficiency will automatically apply in the event of power loss. Our design means no adjustment of the brake is necessary.

➤ **Gearbox**

The gearbox housing is a one piece casting, machined and treated to ensure maximum durability and resistance to wear.

➤ **Planetary Gears**

The design is compact for better load sharing whilst at the same time helping to reduce the winches overall weight. The gears are machined to guarantee that they mesh at full depth providing long life and reducing the operating noise.

➤ **Main drive gear**

The main input gear is manufactured from a solid billet of steel for maximum strength and increased life.

➤ **Ball bearings**

Sealed grease filled bearings fitted are lubricated for the life of the bearing, also reducing the risk of down time.

➤ **Electric Motor**

Introduction type motor fitted for increased life, efficient operation and low noise output.

➤ **Wire Rope Connection**

The connection of the wire rope to the winch drum is via set screw, to ensure rope retention.



Beaver Electric Winches 240v 50Hz (Single Phase models)

Robust Construction Suitable for Building Sites, Slipways & Industrial Use c/w 24 Volt IP65 Pendant Control with emergency stop

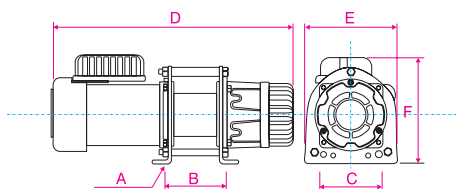
Product Code	Rated Capacity (kg)	Speed m/min	Motor Power HP	% ED	Effective Pull Height m	Wire Rope Dia. x Length mm	A	B mm	C mm	D mm	E mm	F mm	Weight Each (kg)
BPL1020	200	10-15	0.8	25	29	6 x 30	4 x 10.5 $\bar{\Delta}$	142	142	510	210	246	36
BPL1025	250	10-15	1.0	25	29	6 x 30	4 x 10.5 $\bar{\Delta}$	142	142	525	210	246	40
BPL1030	300	10-15	1.5	25	29	7 x 30	4 x 10.5 $\bar{\Delta}$	172	142	540	210	246	49

Beaver Electric Winches 415v 50Hz (Three Phase models)

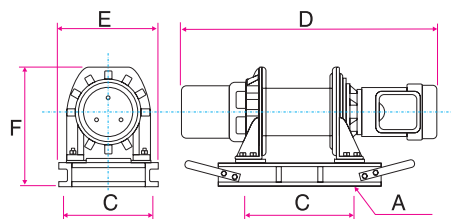
Robust Construction Suitable for Building Sites, Slipways & Industrial Use. c/w 24 Volt IP65 Pendant Control with emergency stop

Product Code	Rated Capacity (kg)	Speed m/min	Motor Power HP	% ED	Effective Pull Height m	Wire Rope Dia. x Length mm	A	B mm	C mm	D mm	E mm	F mm	Weight Each (kg)
BPL3030	300	10-15	1.5	25	29	7 x 30	4 x 10.5 $\bar{\Delta}$	172	142	548	210	246	48
BPL3050	500	12-18	2.5	25	58	9 x 60	4 x 10.5 $\bar{\Delta}$	400	330	922	372	430	136
BPL3075	750	12-18	3.5	25	58	9 x 60	4 x 10.5 $\bar{\Delta}$	400	330	935	372	430	149
BPL3100	1000	12-18	5.0	25	58	11 x 60	4 x 10.5 $\bar{\Delta}$	400	330	935	372	430	156
BPL3220	2200	7-12.5	7.5	25	97	16 x 100	4 x 12 $\bar{\Delta}$	600	499	1160	565	658	450

Single Phase Model



Three Phase Model

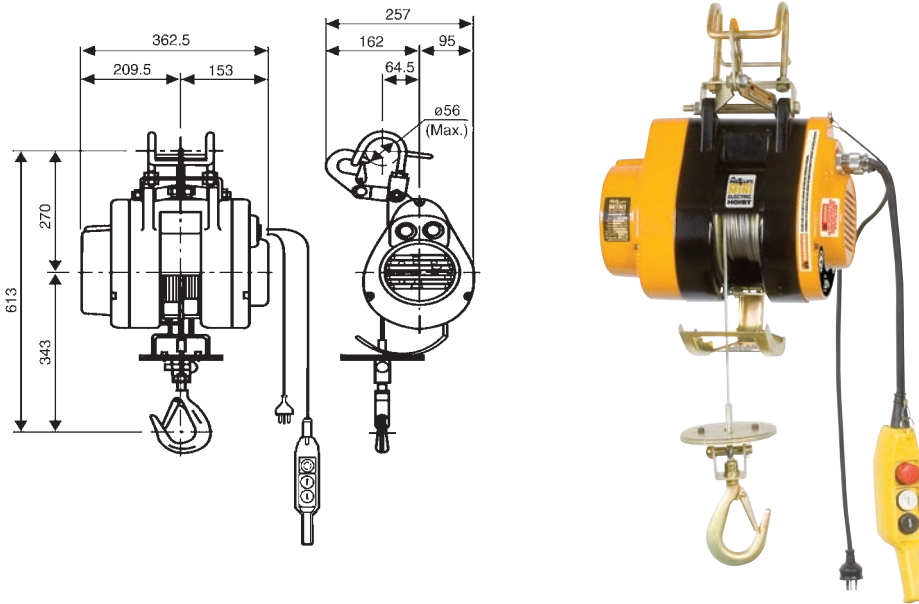


BEAVER ELECTRIC WINCHES (CONT'D)

Beaver Electric Mini Hoist 240v 50Hz (Single Phase model)

Robust Construction Suitable for Building Sites

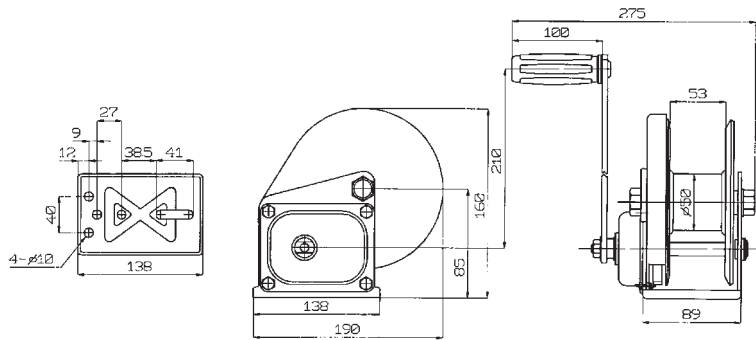
Product Code	Rated Capacity (kg)	Speed m/min	Lifting Height Size m	Hoist Motor Single Phase						
				Motor Power HP	Input Power Watts	% ED	Rope Dia. mm	Rope Construction	Grade of Rope	Weight Each (kg)
BMI1015	150	15	20	N/A	780	25	3.8	7 x 19	G1960min	28
BMI1025	250	12	20	N/A	1200	25	5.1	7 x 19	G1960min	30



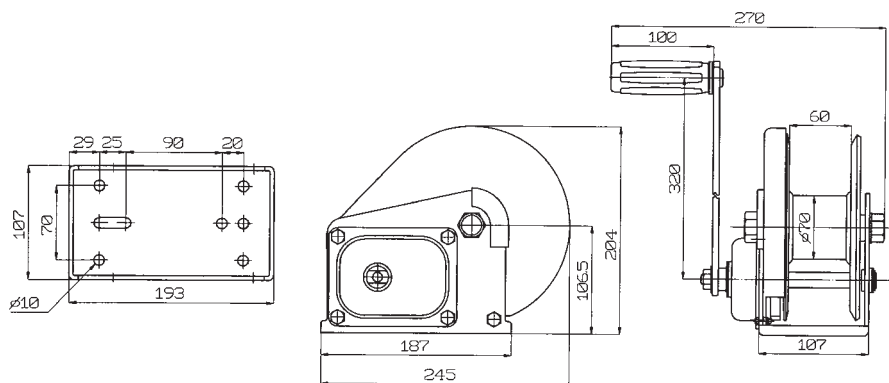
BEAVER BRAKE HAND WINCHES

Model No. - Bare	BHW1200	BHW1800	BHW2600	Handle Length (mm)	210	320	320
Model No. - Wire Rope	BHW1200R	BHW1800R	BHW2600R	Unit Weight - Bare (kg)	3.8	8	10.3
Rated Capacity - Pulling (kg) (kN)	545 (5.33)	820 (8.04)	1200 (11.76)	Wire Rope Diameter (mm)	Ø5	Ø7	Ø8
Rated Capacity - Hoisting (kg)	270	410	600	Wire Rope Construction	6x19 (FC) RHL	6x19 (FC) RHL	6x10 (FC) RHL
Type of Brake	Single Pawl	Double Pawl	Double Pawl	Grade of Wire Rope	G1770	G1770	G1770
Max. Hand Force Req. (kg)	15	22	19	Wire Rope Finish	HDG	HDG	HDG
Gear Ratio	4:1:1	5:1	10:1	Wire Rope Storage Capacity (mm)	24	26	18
Hub Diameter (mm)	Ø50	Ø70	Ø80	Std Wire Rope Length Supplied (mm)	10	10	10

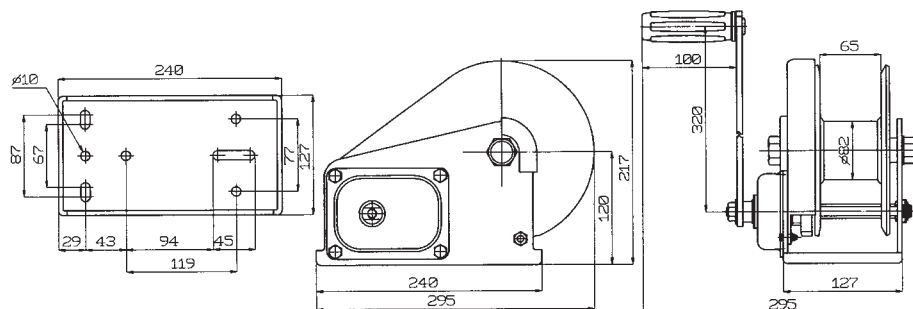
BHW1200



BHW1800



BHW2600

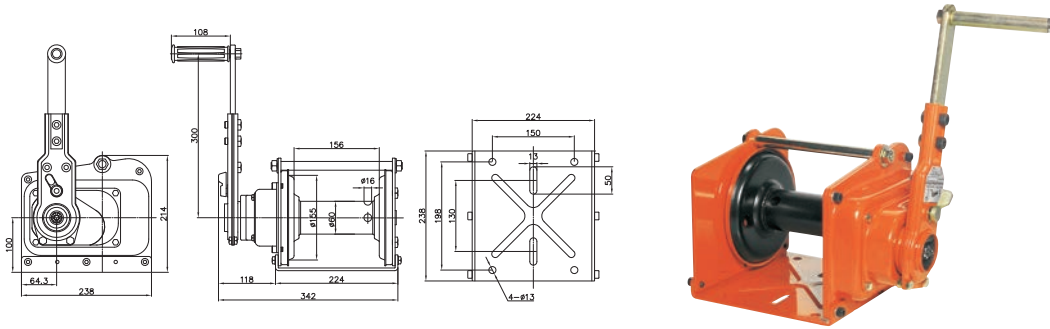


BEAVER BRAKE HAND WINCHES (CONT'D)

Beaver Industrial Heavy Duty Construction Winch - Powder Coated

Suitable For Confined Spaces

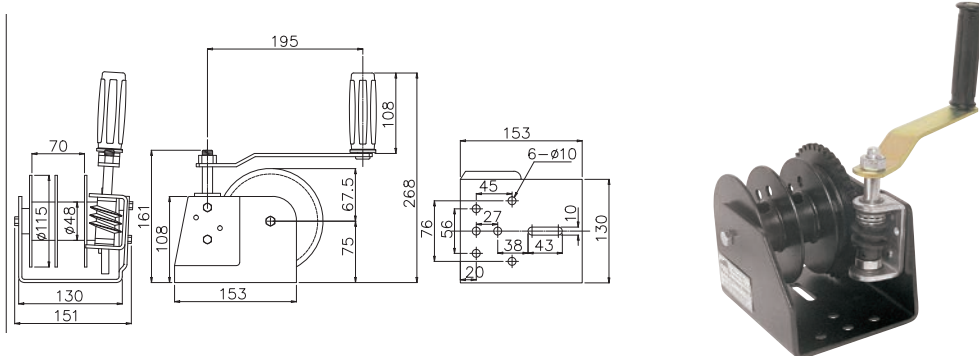
Model No. - Bare	Rated Capacity - Pulling (kg) (kN)	Rated Capacity - Hoisting (kg)	Type of Brake	Max. Hand force required (kg)	Gear ratio	Hub Diameter mm	Handle length mm	Wire Rope Dia. mm	Wire Rope construction	Grade of Wire Rope	Wire Rope Storage Capacity m	Weight (kg)
SF2200	850	1700	Weston type mechanical load brake	16	22.2:1	ø60	195	Ø6.4	7 x 19	G1770 - G2070	32	13.5



Beaver Worm Drive Winch

For Safe Controlled Movement of a Load

Model No. - Bare	Rated Capacity - Pulling (kg) (kN)	Rated Capacity - Hoisting (kg)	Type of Brake	Max. Hand force required (kg)	Gear ratio	Hub Diameter mm	Handle length mm	Wire Rope Diameter mm	Wire Rope construction	Grade of Wire Rope
HW1500	680	N/A	Worm Gear	4.5	41:1	ø48	195	Ø4	7 x 19	G1770 - G2070



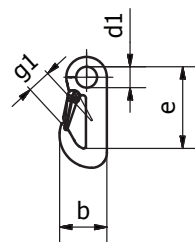
Beaver General Purpose Hand Winches

Model No. - Bare	Rated Capacity - Pulling (kg) (kN)	Rated Capacity- Hoisting (kg)	Type of Brake	Max. Hand force required (kg)	Gear ratio	Hub Diameter mm	Handle length mm	Unit weight - Bare (kg)	Wire Rope Diameter mm	Wire Rope construction	Grade of Wire Rope	Wire Rope finish	Wire Rope storage capacity m
517360	360	360	120	Gear	3.2:1	18	150	2.23	5	7 x 19	G1770 - G2070	HDG	10
517450	450	450	150	Gear	4.1:1	18	186.5	2.70	5	7 x 19	G1770 - G2070	HDG	20
517630	630	630	210	Gear	4.1:1	18	186.5	2.90	5	7 x 19	G1770 - G2070	HDG	20
517900	900	900	300	Gear	4.1:1 + 10:1	24	251.5	6.30	5	7 x 19	G1770 - G2070	HDG	20
517125	1250	1100	375	Gear	5.1:1 + 12.2:1	24	251.5	7.60	6	7 x 19	G1770 - G2070	HDG	25



Beaver General Purpose Winch Hooks Suitable for Wire & Webbing

Product Code	Capacity (kg)	d1 mm	b mm	e mm	g1 mm	Weight (kg)	UOM
426315	1500	18	44	66	13	0.17	Each



BEAVER HAND PALLET TRUCKS



Beaver's range of Hand Pallet Trucks offer the ideal solution for transporting palletted goods easily and safely in warehouses, terminals, delivery/ receiving docks, storage and cool rooms.

Beaver Hand Pallet Trucks (Powder Coated Finish)

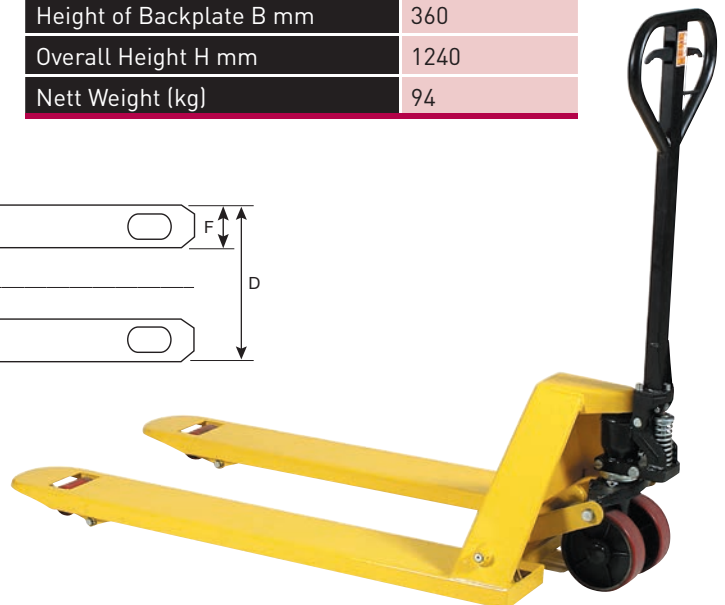
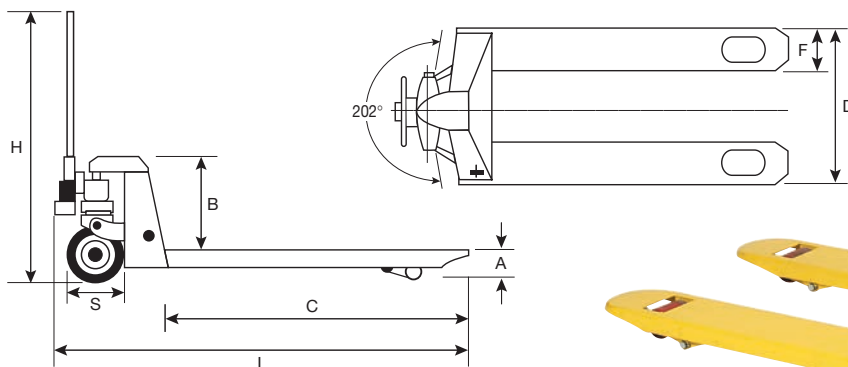
Complies to AS 2615. Complete with PU Wheels

Product Code	342601
Model No.	BPT342601S
Capacity (kg)	2500
Min. Fork Height A mm	185
Min. Fork Height B mm	200 x 50
Steering Wheel S mm	74 x 93
Size of Fork F mm	177 x 45
Width Overall Forks D mm	685
Fork Length C mm	1220
Overall Length L mm	1563
Height of Backplate B mm	360
Overall Height H mm	1240
Nett Weight (kg)	89

Beaver Hand Pallet Trucks (Powder Coated Finish) with Brake

Complies to AS 2615. Complete with PU Wheels

Product Code	342601B
Model No.	BPT342601B
Capacity (kg)	2500
Min. Fork Height A mm	185
Min. Fork Height B mm	200 x 50
Steering Wheel S mm	74 x 93
Size of Fork F mm	177 x 45
Width Overall Forks D mm	685
Fork Length C mm	1220
Overall Length L mm	1563
Height of Backplate B mm	360
Overall Height H mm	1240
Nett Weight (kg)	94



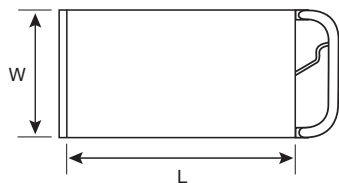
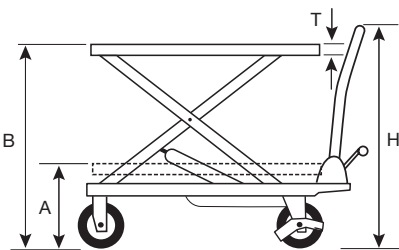


Beaver LIFTPAL Hand Scissor Lift Tables have special applications for raising heavy loads with the use of hydraulics which increases safety and helps prevent back injuries. They are a safe and versatile way to transport goods in warehouses, workshops, libraries, loading docks, hospitals, assembly lines, offices and nurseries. High quality durable powder coated finish on all models.

Beaver Hydraulic Scissor Lift Tables (single)

Complete with PU Wheels for which the Rear Wheels have hand locking devices

Product Code	342615	342630	342650
Model No.	TF15	TF30	TF50
Capacity (kg)	150	300	500
Min. Table Height A mm	220	295	295
Max. Table Height B mm	720	885	890
Table Length L mm	700	855	855
Table Width W mm	450	500	500
Table Thickness T mm	36	50	50
Castor Wheel	100 x 25	125 x 40	125 x 40
Foot Pedal Cycles to Max Height	←=28	←=39	←=27
Net Weight (kg)	49	77	81
Height of Handle from Ground H mm	935	985	985

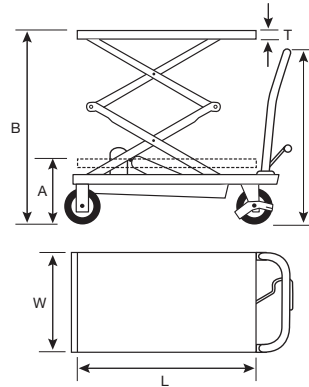


BEAVER SCISSOR LIFT TABLES & HAND TROLLEYS

Beaver Hydraulic Scissor Lift Tables (two stage)

Complete with PU Wheels for which the Rear Wheels have hand locking devices

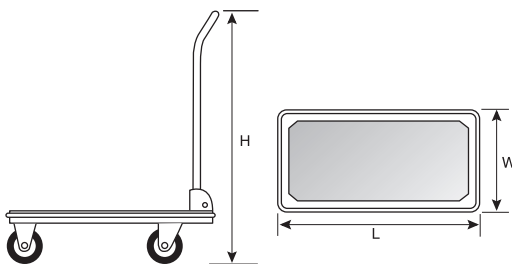
Product Code	342635
Model No.	TF35
Capacity (kg)	350
Min. Table Height A mm	375
Max. Table Height B mm	1365
Table Length L mm	910
Table Width W mm	500
Table Thickness T mm	53
Castor Wheel	125 x 40
Foot Pedal Cycles to Max Height	←=53
Net Weight (kg)	136
Height of Handle from Ground H mm	965



Beaver Steel Hand Platform Trolleys

Complete with PU Black Wheels

Product Code	342515	342525
Model No.	BPT015	BPT025
Capacity (kg)	150	250
Platform Length L mm	705	875
Platform Width W mm	440	570
Height H mm	860	860
Net Weight (kg)	12.5	18.6

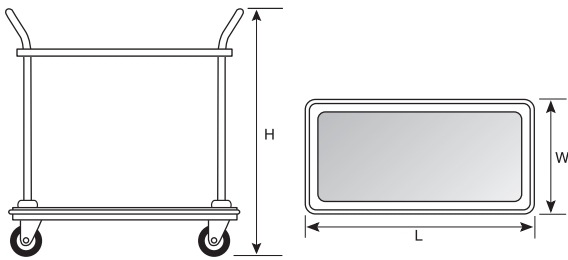


BEAVER HAND TROLLEYS

Beaver Steel 2 Tier Hand Platform Trolleys

Complete with Nylon Black Wheels

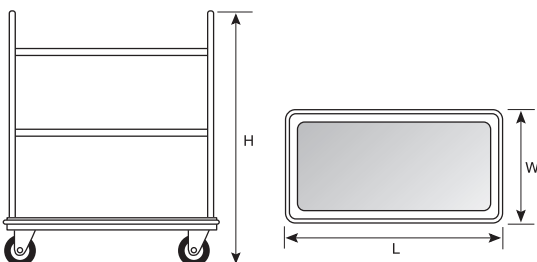
Product Code	342513
Model No.	BSS22
Capacity (kg)	120
Platform Length L mm	475
Platform Width W mm	735
Height H mm	8650
Castor Wheel	100 x 35
Net Weight (kg)	15.6



Beaver Steel 3 Tier Hand Platform Trolleys

Complete with Nylon Black Wheels

Product Code	342514
Model No.	BSS32
Capacity (kg)	120
Platform Length L mm	475
Platform Width W mm	735
Height H mm	8650
Castor Wheel	100 x 35
Net Weight (kg)	20.6

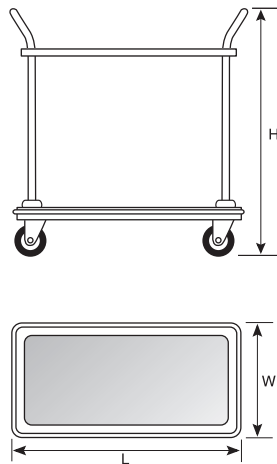


BEAVER HAND TROLLEYS (CONT'D)

Beaver Stainless Steel 2 Tier Hand Platform Trolleys

Complete with Nylon White Wheels

Product Code	342513S
Model No.	BT122S
Capacity (kg)	100
Platform Length L mm	480
Platform Width W mm	710
Height H mm	800
Castor Wheel	100 x 35
Net Weight (kg)	9.2

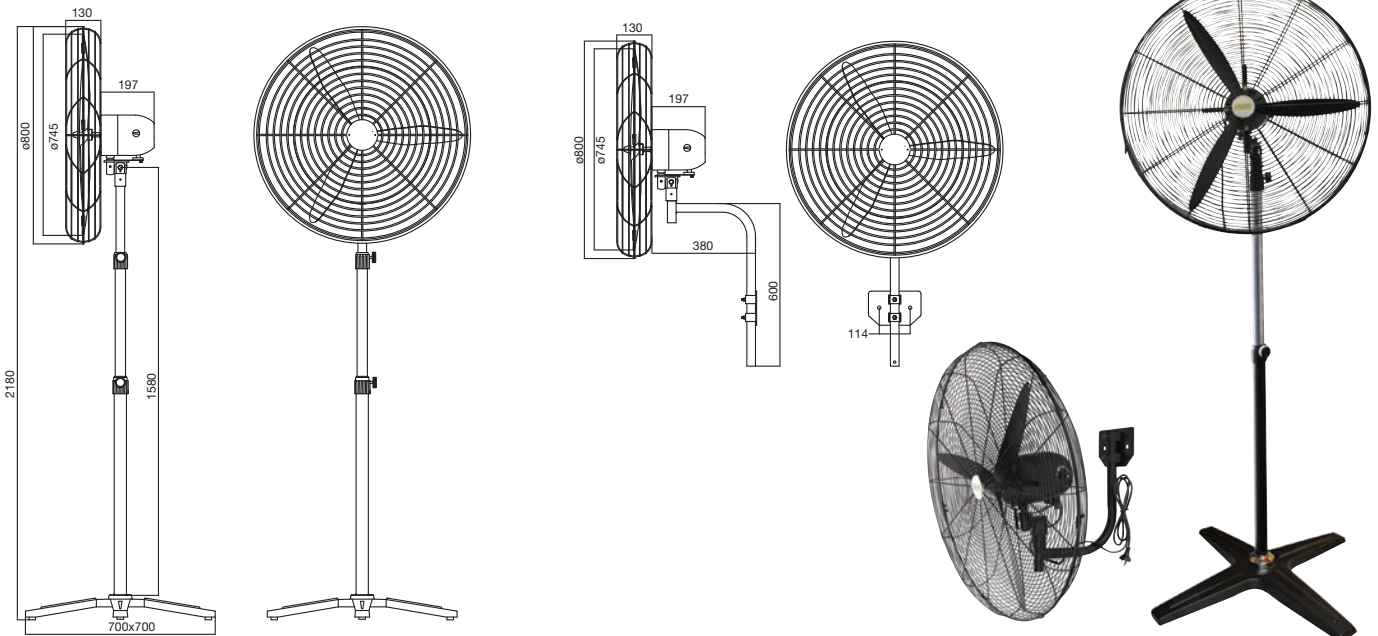


INDUSTRIAL FANS

Grunt Industrial Force Full Electric Fan

220-240V/50Hz

Code	Type	Colour	Dimensions	Model	Weight (kg)	UOM
IWF750-3	750mm Wall Mounted - 3 Blade / 3 Speed	Black	750mm	FB-75	16	Each
IPF750-3	750mm Pedestal - 3 Blade / 3 Speed Adjustable height 1160mm - 1800mm	Black	750mm x 1800mm	FS-75	23	Each



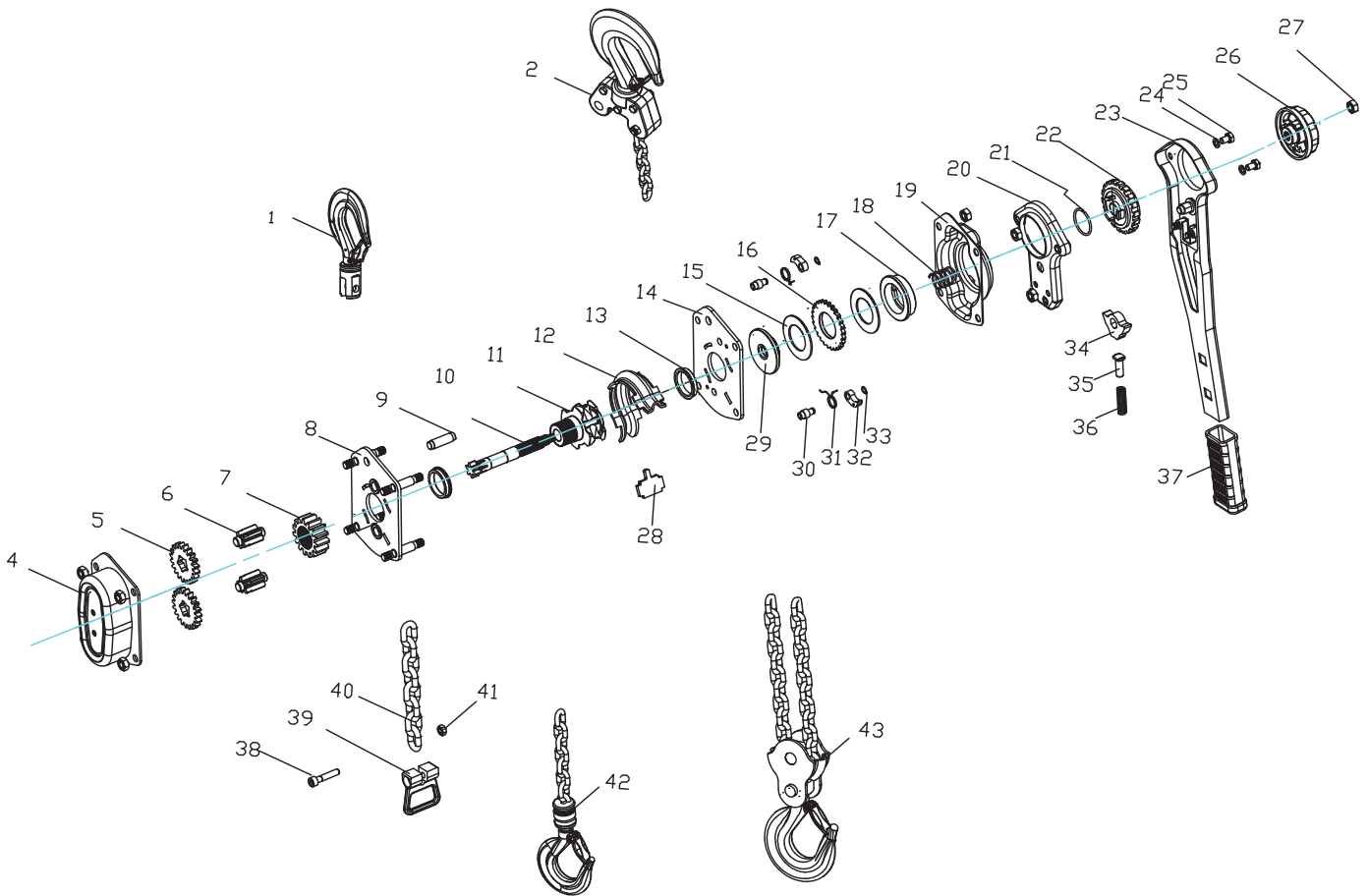


CHAIN AND LEVER BLOCK SPARE PARTS LISTS

BEAVER 3G LEVER BLOCK SPARE PARTS LIST

Key No.	No. Req	Part Name	750kg	1500kg	3000kg	6000kg
1	1	Top Hook Assembly for 0.75T, 1.5T, 3T	595750-1	595150-1	595300-1	
2	1	Top Hook Assembly for 6T				595600-2
4	1	Gear Case Assembly	595750-4	595150-4	595300-4	595600-4
5	1Pair	Disk Gear Assembly	595750-5	595150-5	595300-5	595600-5
6	1Pair	Short Gear Shaft	595750-6	595150-6	595300-6	595600-6
7	1	Splined Gear	595750-7	595150-7	595300-7	595600-7
8	1	Geared sideplate Assembly	595750-8	595150-8	595300-8	595600-8
9	1	Top Hook Shaft	595750-9	595150-9	595300-9	595600-9
10	1	Drive Shaft	595750-10	595150-10	595300-10	595600-10
11	1	Load Sheave	595750-11	595150-11	595300-11	595600-11
12	1	Guide Plate	595750-12	595150-12	595300-12	595600-12
13	1	Bearing Set	595750-13	595150-13	595300-13	595600-13
14	1	Lever Side Plate Assembly	595750-14	595150-14	595300-14	595600-14
15	1Pair	Friction Disk	595750-15	595150-15	595300-15	595600-15
16	1	Ratchet Disk	595750-16	595150-16	595300-16	595600-16
17	1	Brake Disk	595750-17	595150-17	595300-17	595600-17
18	1	Clutch Spring	595750-18	595150-18	595300-18	595600-18
19	1	Brake Cover Assembly	595750-19	595150-19	595300-19	595600-19
20	1	Inner Handle	595750-20	595150-20	595300-20	595600-20
21	1	Snap Ring	595750-21	595150-21	595300-21	595600-21
22	1	Change Over Gear	595750-22	595150-22	595300-22	595600-22
23	1	Lever Handle Assembly	595750-23	595150-23	595300-23	595600-23
24	1	Lock Washer	595750-24	595150-24	595300-24	595600-24
25	1	Hex Screw	595750-25	595150-25	595300-25	595600-25
26	1	Hand Wheel	595750-26	595150-26	595300-26	595600-26
27	1	Castle Nut	595750-27	595150-27	595300-27	595600-27
28	1	Chain Guard	595750-28	959150-28	595300-28	595600-28
29	1	Disk Hub	595750-29	595150-29	595300-29	595600-29
30	1	Paw Pin	595750-30	595150-30	595300-30	595600-30
31	1	Pawl Spring	595750-31	595150-31	595300-31	595600-31
32	1	Pawl	595750-32	595150-32	595300-32	595600-32
33	1	Snap Ring	595750-33	595150-33	595300-33	595600-33
34	1	Change Over Pawl	595750-34	595150-34	595300-34	595600-34
35	1	Spring Set	595750-35	595150-35	595300-35	595600-35
36	1	Change Over Spring	595750-36	595150-36	595300-36	595600-36
37	1	Handle Cover	595750-37	595150-37	595300-37	595600-37
38	1	Hex Bolt	595750-38	595150-38	595300-38	595600-38
39	1	End Ring	595750-39	595150-39	595300-39	595600-39
40	1	Load Chain	595750-40	595150-40	595300-40	595600-40
41	1	Self-Locking Nut	595750-41	595150-41	595300-41	595600-41
42	1	Bottom Hook Assembly 0.75T, 1.5T, 3T	595750-42	595150-42	595300-42	
43	1	Bottom Hook Assembly for 6T				595600-43

Beaver 3G Lever Block Spare Parts (CONT'D)

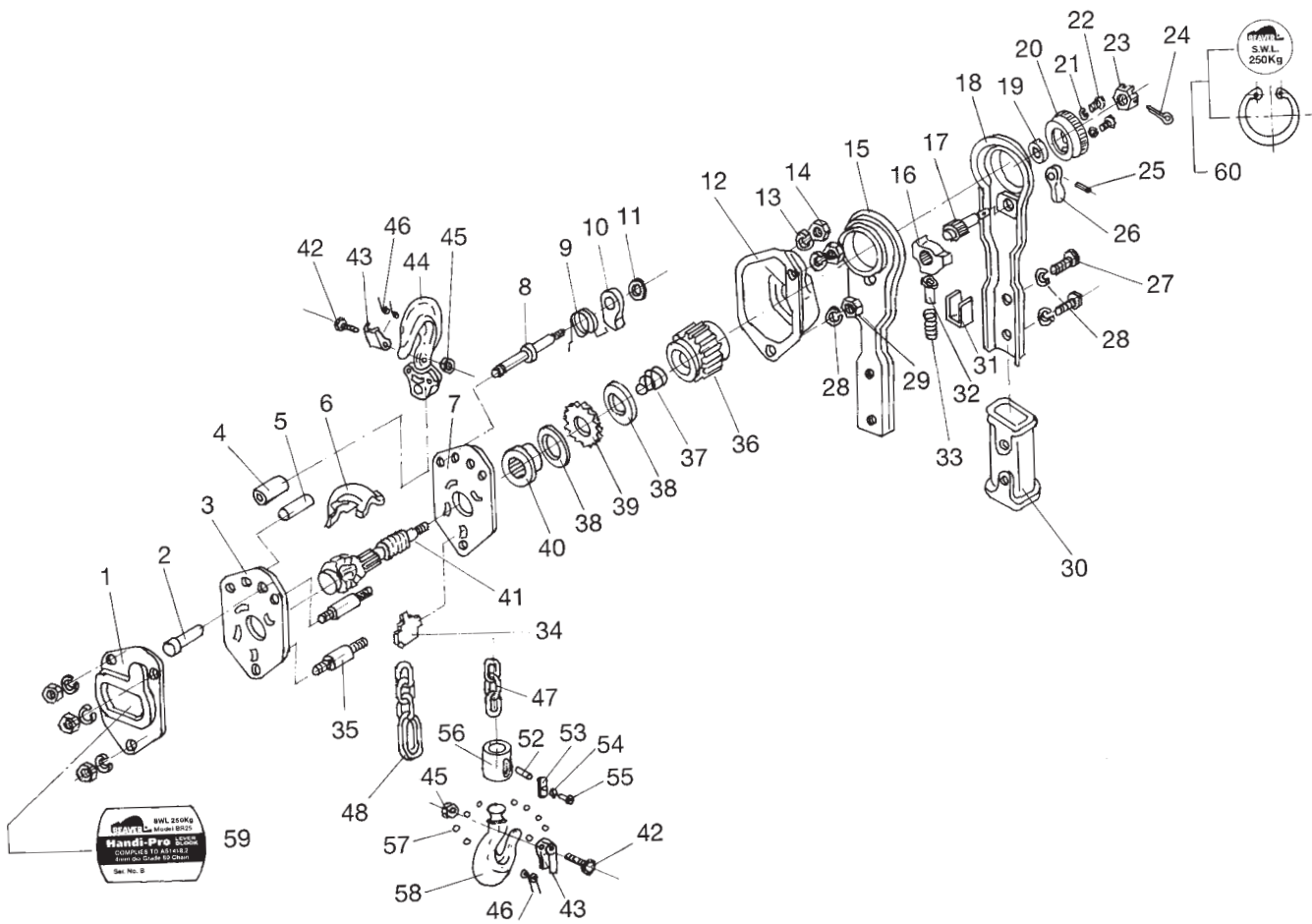


BEAVER SPARE PARTS LIST - HANDI-PRO 250KG

Beaver Spare Parts List - Handi-Pro 250kg - 504025

Key No.	No. Reg	Part Name	Part Number	Key No.	No. Reg	Part Name	Part Number	Key No.	No. Reg	Part Name	Part Number
1	1	Cover	594025A	20	1	Hand Wheel	594025T	39	1	Ratchet Disc	594025ZM
2	1	Top Pin	594025B	21	3	Spring Washer - 4mm	594025U	40	1	Disc Hub	594025ZN
3	1	Side Plate A	594025C	22	3	Screw - M4 x 10mm	594025V	41	1	Load Shaft	594025ZO
4	1	Bushing	594025D	23	1	Castle Nut - M8	594025W	42	2	Screw - M3 x 18mm	594025ZP
5	1	Special Pin	594025E	24	1	Split Pin - 2 x 16mm	594025X	43	2	Safety Latch	594025ZQ
6	1	Guide Plate	594025F	25	1	Spring Pin - 2 x 14mm	594025Y	44	1	Top Hook Assembly	594025ZR
7	1	Side Plate B	594025G	26	1	Selector Lever	594025Z	45	2	Prevailing Torque Type Nut - M3	594025ZS
8	1	Stay Bolt B	594025H	27	2	Screw - M6 x 25mm	594025ZA	46	2	Double Spring	594025ZT
9	1	Pawl Spring	594025I	28	7	Spring Washer - 6mm	594025ZB	47	1	Load Chain	149004WC
10	1	Pawl	594025J	29	5	Hexagon Nut - M6	594025ZC	48	1	Chain Ring	149004R
11	1	Washer	594025K	30	1	Handle Rubber Grip	594025ZD	52	1	Chain Pin	594025ZU
12	1	Brake Cover	594025L	31	1	Spring Seat	594025ZE	53	1	Pin Cover	594025ZV
13	1	Spring Washer - 5mm	594025M	32	1	Spring Shaft	594025ZF	54	1	Spring Washer - 3mm	594025ZW
14	1	Hexagon Nut - M5	594025N	33	1	Change Over Spring	594025ZG	55	1	Screw - m3 x 6mm	594025ZX
15	1	Lever Handle Left Assembly A	594025O	34	1	Stripper	594025ZH	56	1	Bottom Hook Block	594025ZY
16	1	Change Over Pawl	594025P	35	2	Stay Bolt A	594025ZI	57	9	Ball Bearing	594025ZZ
17	1	Selector Shaft	594025Q	36	1	Change Over Gear	594025ZJ	58	1	Bottom Hook	594025ZAA

Beaver Spare Parts - Handi-Pro 250kg - 504025 (CONT'D)



BEAVER SPARE PARTS LIST - V- SERIES LEVER BLOCK

Beaver Spare Parts List - V- Series Lever Block 750kg - 3000kg

Key No.	No. Reg	Part Name	750kg	1500kg	3000kg
1	1	Gear cover set	905075VM-01	905150VM-01	905300VM-01
2	1	2nd gear	905075VM-02	905150VM-02	905300VM-02
3	1	3rd gear	905075VM-03	905150VM-03	905300VM-03
4	2	Short pinion	905075VM-04	905150VM-04	905300VM-04
5	1	Pinion shaft	905075VM-05	905150VM-05	905300VM-05
6	1	1st gear	905075VM-06	905150VM-06	905300VM-06
7	1	Side plate 1	905075VM-07	905150VM-07	905300VM-07
8	1	Load sheave	905075VM-08	905150VM-08	905300VM-08
9	1	Side plate 2	905075VM-09	905150VM-09	905300VM-09
10	1	Retaining plate	905075VM-10	905150VM-10	905300VM-10
11	2	Pawl spring	905075VM-11	905150VM-11	905300VM-11
12	2	Pawl pin	905075VM-12	905150VM-12	905300VM-12
13	2	Pawl	905075VM-13	905150VM-13	905300VM-13
14	1	Ratchet gear	905075VM-14	905150VM-14	905300VM-14
15	2	Brake disc	905075VM-15	905150VM-15	905300VM-15
16	1	Brake hub	905075VM-16	905150VM-16	905300VM-16
17	1	Brake cover	905075VM-17	905150VM-17	905300VM-17
18	3	Stay bolt	905075VM-18	905150VM-18	905300VM-18
19	1	Hook pin	905075VM-19	905150VM-19	905300VM-19
20	2	Load chain guide roller	905075VM-20	905150VM-20	905300VM-20
21	1	Chain stripper	905075VM-21	905150VM-21	905300VM-21
22	1	End link	905075VM-22	905150VM-22	905300VM-22
23	1	Free wheel lever	905075VM-23	905150VM-23	905300VM-23
24	1	Retaining pin	905075VM-24	905150VM-24	905300VM-24
25	1	Retaining spring	905075VM-25	905150VM-25	905300VM-25
26	1	Top hook assembly	905075VM-26	905150VM-26	905300VM-26
27	1	Bottom hook assembly	905075VM-27	905150VM-27	905300VM-27
28	1	Lever outside cover	905075VM-28	905150VM-28	905300VM-28
29	1	Lever inside cover	905075VM-29	905150VM-29	905300VM-29
30	1	Change pawl	905075VM-30	905150VM-30	905300VM-30

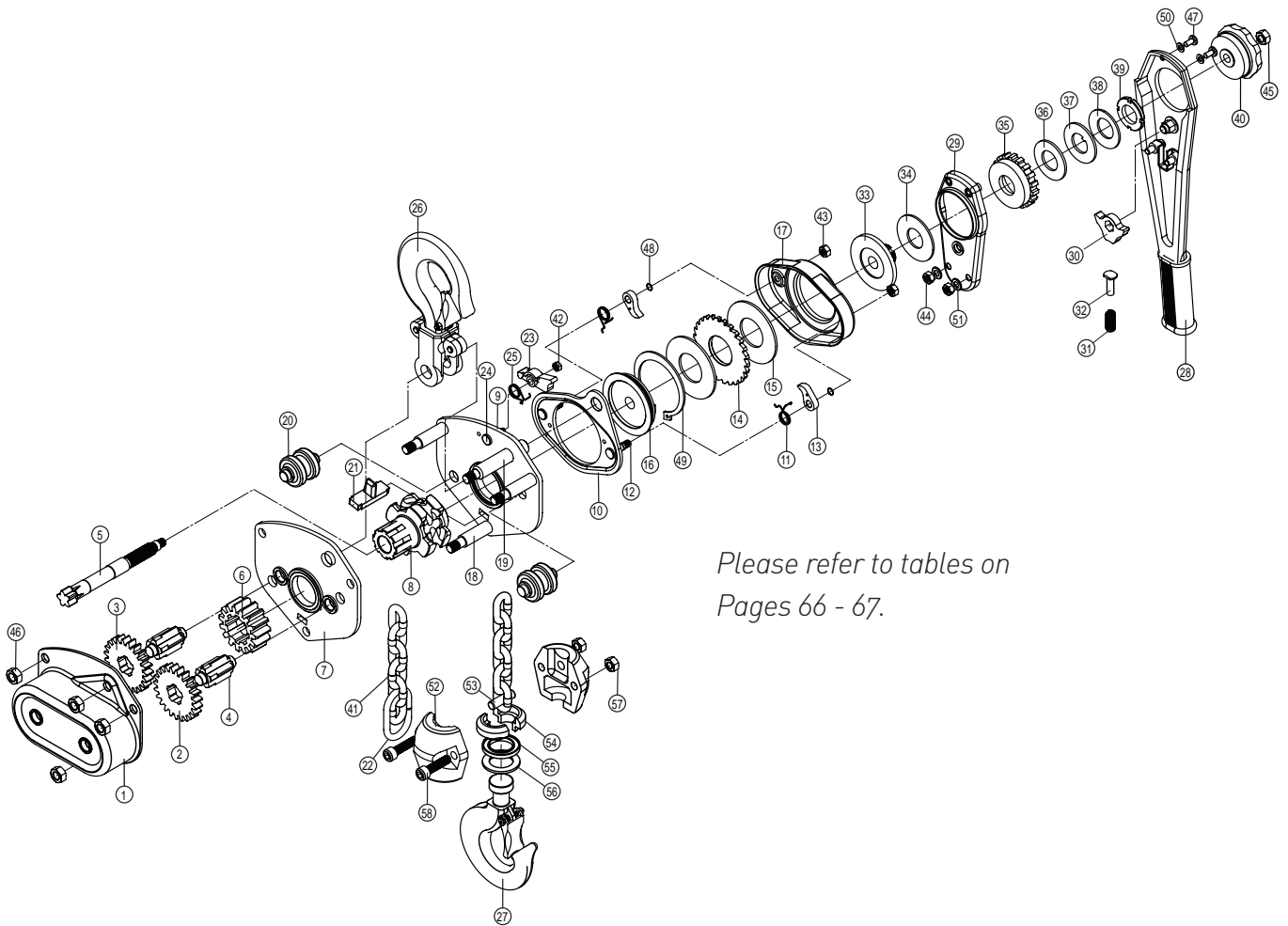
Beaver Spare Parts List - V- Series Lever Block 750kg - 3000kg (CONT'D)

Key No.	No. Reg	Part Name	750kg	1500kg	3000kg
31	1	Push up spring	905075VM-31	905150VM-31	905300VM-31
32	1	Push up pin	905075VM-32	905150VM-32	905300VM-32
33	1	Overload hub	905075VM-33	905150VM-33	905300VM-33
34	1	Overload brake disc	905075VM-34	905150VM-34	905300VM-34
35	1	Change gear	905075VM-35	905150VM-35	905300VM-35
36	1	Overload brake disc	905075VM-36	905150VM-36	905300VM-36
37	1	Overload washer	905075VM-37	905150VM-37	905300VM-37
38	1	Belleville washer	905075VM-38	905150VM-38	905300VM-38
39	1	Overload lock nut	905075VM-39	905150VM-39	905300VM-39
40	1	Grip ring	905075VM-40	905150VM-40	905300VM-40
41	1	Load chain	905075VM-41	905150VM-41	905300VM-41
42	1	Nut M6	905075VM-42	905150VM-42	905300VM-42
43	2	Nut M8	905075VM-43	905150VM-43	905300VM-43
44	2	Nut M8	905075VM-44	905150VM-44	905300VM-44
45	1	Nut M10	905075VM-45	905150VM-45	905300VM-45
46	4	Nut M12	905075VM-46	905150VM-46	905300VM-46
47	2	Bolt M6 x 12	905075VM-47	905150VM-47	905300VM-47
48	2	C clip	905075VM-48	905150VM-48	905300VM-48
49	1	C clip	905075VM-49	905150VM-49	905300VM-49
50	2	Washer M6	905075VM-50	905150VM-50	905300VM-50
51	2	Washer M8	905075VM-51	905150VM-51	905300VM-51
52	2	Bottom hook frame	905075VM-52	905150VM-52	905300VM-52
53	1	Hook pin	905075VM-53	905150VM-53	905300VM-53
54	2	Bearing seat	905075VM-54	905150VM-54	905300VM-54
55	1	Thrust roller bearing	905075VM-55	905150VM-55	905300VM-55
56	1	Thrust bearing washer	905075VM-56	905150VM-56	905300VM-56
57	2	Nut M10	905075VM-57	905150VM-57	905300VM-57
58	2	Set screw	905075VM-58	905150VM-58	905300VM-58

Please refer to diagram on Page 68.

BEAVER SPARE PARTS LIST - V- SERIES LEVER BLOCK (CONT'D)

Beaver Spare Parts - V- Series Lever Block 750kg - 3000kg (CONT'D)



*Please refer to tables on
Pages 66 - 67.*

Beaver Spare Parts List - V- Series Lever Block 6000kg - 9000kg

Key No.	No. Reg	Part Name	6000kg	9000kg
1	1	Gear cover set	905600VM-1	905900VM-1
2	2	2nd gear	905600VM-2	905900VM-2
3	2	3rd gear	905600VM-3	905900VM-3
4	2	Short pinion	905600VM-4	905900VM-4
5	1	Pinion shaft	905600VM-5	905900VM-5
6	1	1st gear	905600VM-6	905900VM-6
7	1	Side plate 1	905600VM-7	905900VM-7
8	1	Load sheave	905600VM-8	905900VM-8
9	1	Side plate 2	905600VM-9	905900VM-9
10	1	Retaining plate	905600VM-10	905900VM-10
11	2	Pawl spring	905600VM-11	905900VM-11
12	2	Pawl pin	905600VM-12	905900VM-12
13	2	Pawl	905600VM-13	905900VM-13
14	1	Ratchet gear	905600VM-14	905900VM-14
15	1	Brake disc	905600VM-15	905900VM-15
16	1	Brake hub	905600VM-16	905900VM-16
17	1	Brake cover	905600VM-17	905900VM-17
18	3	Stay bolt	905600VM-18	905900VM-18
19	1	Hook pin	905600VM-19	905900VM-19
20	2	Load chain guide roller	905600VM-20	905900VM-20
21	1	Chain stripper	905600VM-21	905900VM-21
22	1	End link	905600VM-22	905900VM-22
23	1	Free wheel lever	905600VM-23	905900VM-23
24	1	Retaining pin	905600VM-24	905900VM-24
25	1	Retaining spring	905600VM-25	905900VM-25
26	1	Top hook assembly	905600VM-26	905900VM-26
27	1	Bottom hook assembly	905600VM-27	905900VM-27
28	1	Lever outside cover	905600VM-28	905900VM-28
29	1	Lever inside cover	905600VM-29	905900VM-29
30	1	Change pawl	905600VM-30	905900VM-30
31	1	Push up spring	905600VM-31	905900VM-31
32	1	Push up pin	905600VM-32	905900VM-32

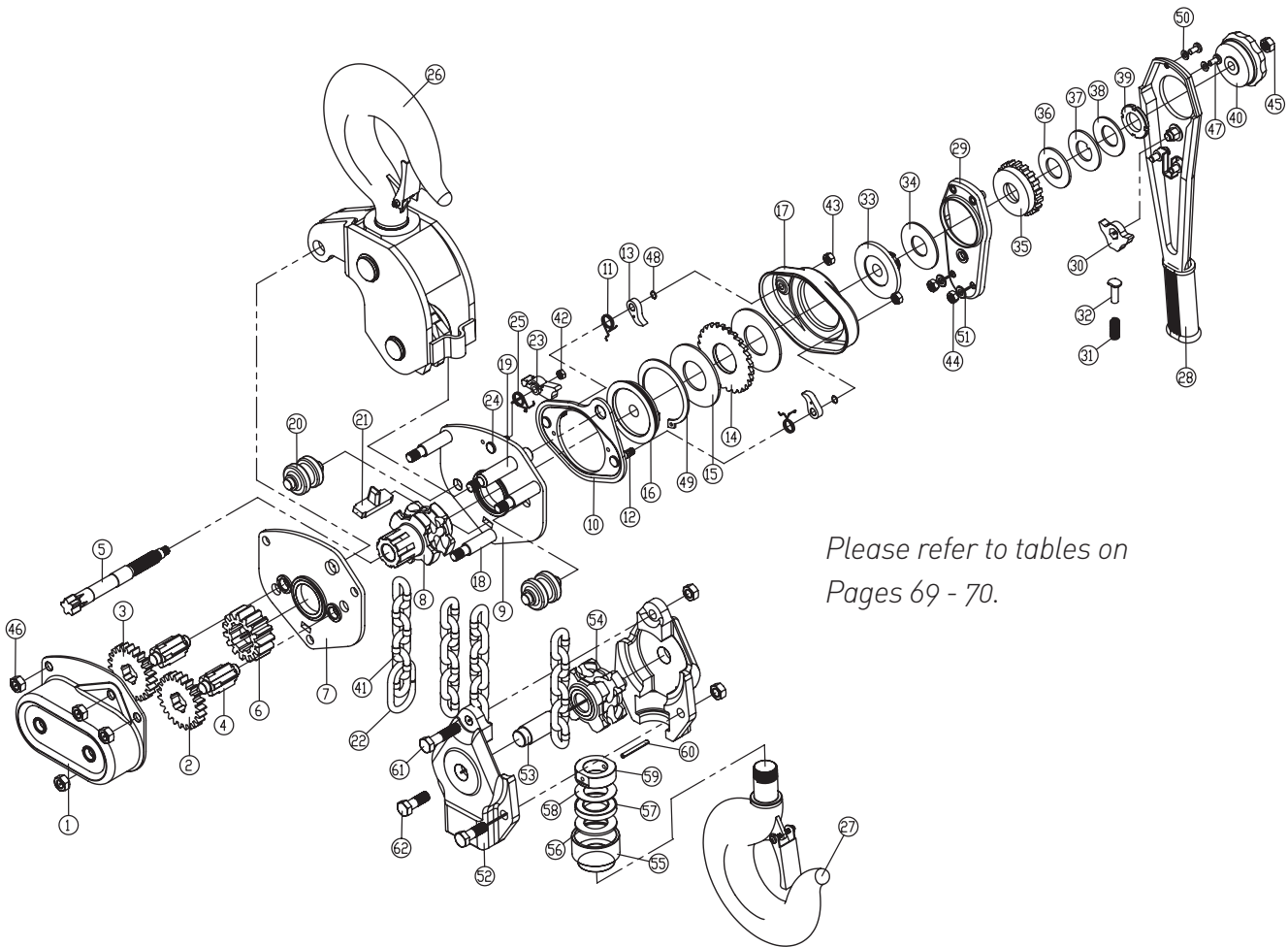
Please refer to diagram on Page 71.

BEAVER SPARE PARTS LIST - V- SERIES LEVER BLOCK (CONT'D)

Spare Parts List - V- Series Lever Block 6000kg - 9000kg (CONT'D)

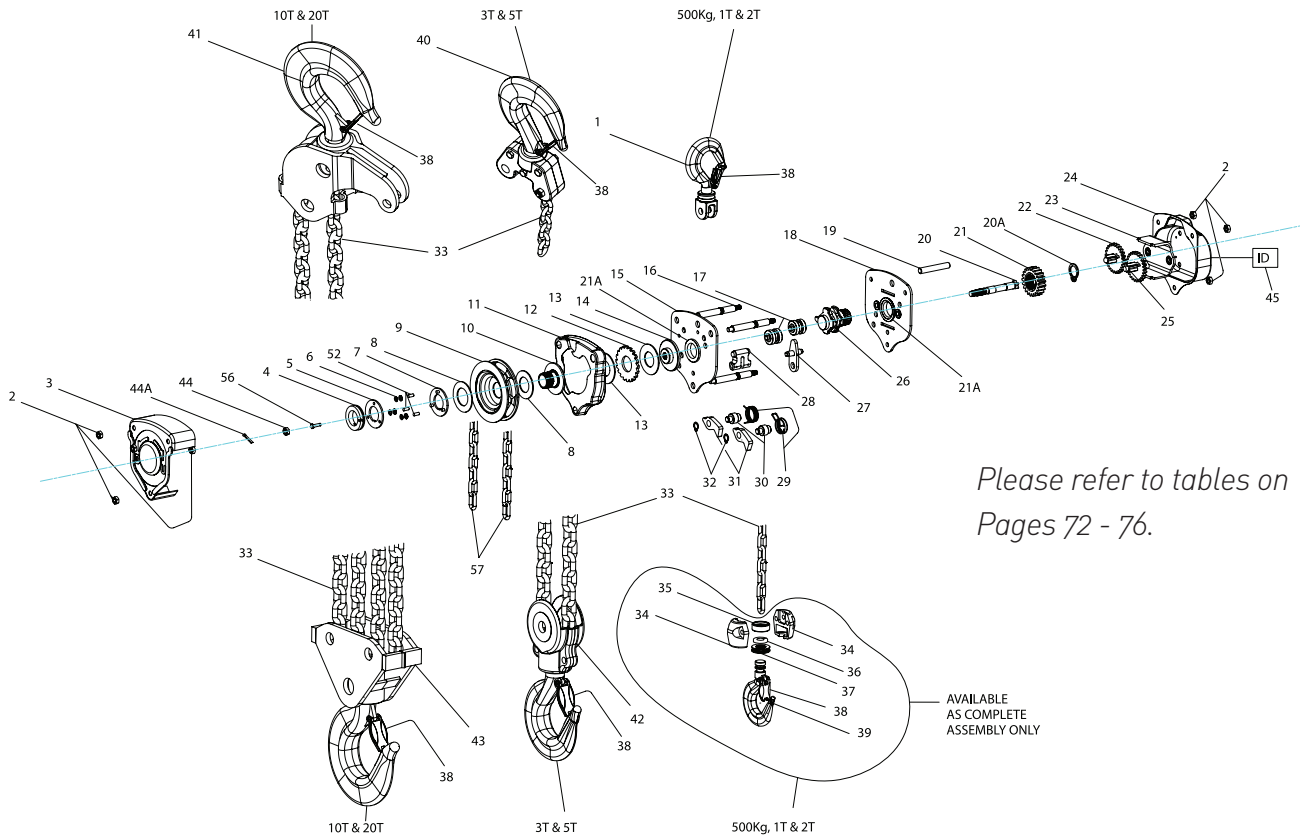
Key No.	No. Reg	Part Name	6000kg	9000kg
33	1	Overload hub	905600VM-33	905900VM-33
34	1	Overload brake disc	905600VM-34	905900VM-34
35	1	Change gear	905600VM-35	905900VM-35
36	1	Overload brake disc	905600VM-36	905900VM-36
37	1	Overload washer	905600VM-37	905900VM-37
38	1	Belleville washer	905600VM-38	905900VM-38
39	1	Overload lock nut	905600VM-39	905900VM-39
40	1	Grip ring	905600VM-40	905900VM-40
41	1	Load chain	905600VM-41	905900VM-41
42	1	Nut M6	905600VM-42	905900VM-42
43	2	Nut M8	905600VM-43	905900VM-43
44	2	Nut M8	905600VM-44	905900VM-44
45	1	Nut M10	905600VM-45	905900VM-45
46	3	Nut M12	905600VM-46	905900VM-46
47	2	Bolt M6 x 12	905600VM-47	905900VM-47
48	2	C clip	905600VM-48	905900VM-48
49	1	C clip	905600VM-49	905900VM-49
50	2	Washer M6	905600VM-50	905900VM-50
51	2	Washer M8	905600VM-51	905900VM-51
52	2	Bottom hook frame	905600VM-52	905900VM-52
53	1	Bottom sprocket shaft	905600VM-53	905900VM-53
54	2	Bottom sprocket washer	905600VM-54	905900VM-54
55	1	Bottom sprocket	905600VM-55	905900VM-55
56	1	Thrust bearing housing	905600VM-56	905900VM-56
57	1	Thrust washer	905600VM-57	905900VM-57
58	1	Thrust bearing	905600VM-58	905900VM-58
59	1	Thrust washer	905600VM-59	905900VM-59
60	1	Hook nut	905600VM-60	905900VM-60
61	1	Lock pin	905600VM-61	905900VM-61
62	2	Bolt M12 x 40	905600VM-62	905900VM-62
63	1	Bolt M12 x 50	905600VM-63	905900VM-63
64	3	Nut M12	905600VM-64	905900VM-64

Spare Parts - V- Series Lever Block 6000kg - 9000kg (CONT'D)



*Please refer to tables on
Pages 69 - 70.*

BEAVER V-SERIES CHAIN BLOCK SPARE PARTS LIST



Please refer to tables on Pages 72 - 76.

Beaver Spare Parts List - V-Series Chain Block 500kg – 3000kg

Key No.	No. Reg	Part Name	Qty Required	500kg	1000kg	2000kg	3000kg
A	23	Gear support	1	902050VM-23	902100VM-23	902200VM-23	902300VM-23
B	22; 25	2nd / 3rd gear	2	902050VM-22-25	902100VM-22-25	902200VM-22-25	902300VM-22-25
C	20A	Circlip Large	1	902050VM-20A	902100VM-20A	902200VM-20A	902300VM-20A
D	21	1st gear	1	902050VM-21	902100VM-21	902200VM-21	902300VM-21
E	20	Pinion shaft	1	902050VM-20	902100VM-20	902200VM-20	902300VM-20
F	16	Support pin	3	902050VM-16	902100VM-16	902200VM-16	902300VM-16
G	18	Right side plate	1	902050VM-18	902100VM-18	902200VM-18	902300VM-18
H	19	Hook pin	1	902050VM-19	902100VM-19	902200VM-19	902300VM-19
I	38	Safety catch	1	902050VM-38	902100VM-38	902200VM-38	902300VM-38
J	1	Top hook assy 500Kg; 1T; 2T	1	902050VM-1	902100VM-1	902200VM-1	-
	40	Top hook assy 3T; 5T	1	-	-	-	902300VM-40

Beaver Spare Parts List - V-Series Chain Block 500kg – 3000kg (CONT'D)

Key No.	No. Reg	Part Name	Qty Required	500kg	1000kg	2000kg	3000kg
J	41	Top hook assy 10T; 20T	1	-	-	-	-
K	27	End anchor pin	1	902050VM-27	902100VM-27	902200VM-27	902300VM-27
L		End anchor	1	902050VM-27	902100VM-27	902200VM-27	902300VM-27
M	28	Chain stripper	1	902050VM-28	902100VM-28	902200VM-28	902300VM-28
CHAIN	33	Load chain	Capacity Dependent	149005	149006	149008	149007
O	35; 36; 37; 38; 39	Bottom hook assy 500Kg; 1T; 2T	1	902050VM35-39	902100VM35-39	902200VM35-39	-
	42	Bottom hook assy 3T; 5T	1	-	-	-	902300VM42
	43	Bottom hook assy 10T; 20T	1	-	-	-	-
P	21A	Bearing	2	902050VM-21A	902100VM-21A	902200VM-21A	902300VM-21A
Q	26	Load sprocket	1	902050VM-26	902100VM-26	902200VM-26	902300VM-26
R	17	Guide roller	2	902050VM-17	902100VM-17	902200VM-17	902300VM-17
S	15	Left side plate	1	902050VM-15	902100VM-15	902200VM-15	902300VM-15
T	29	Pawl spring	2	902050VM-29	902100VM-29	902200VM-29	902300VM-29
U	31	Brake pawl	2	902050VM-31	902100VM-31	902200VM-31	902300VM-31
V	32	Circlip	2	902050VM-32	902100VM-32	902200VM-32	902300VM-32
W	11	Brake cover	1	902050VM-11	902100VM-11	902200VM-11	902300VM-11
X	2	NVM-31t	6	902050VM-2	902100VM-2	902200VM-2	902300VM-2
Y	14	Brake hVM-31b	1	902050VM-14	902100VM-14	902200VM-14	902300VM-14
Z	12	Ratchet gear	1	902050VM-12	902100VM-12	902200VM-12	902300VM-12
ZA	13	Brake disc	1 pair	902050VM-13	902100VM-13	902200VM-13	902300VM-13
ZB	44	Castle nut	1	902050VM-44	902100VM-44	902200VM-44	902300VM-44
ZC	44A	Split pin	1	902050VM-44A	902100VM-44A	902200VM-44A	902300VM-44A
ZD	3	Hand wheel cover	1	902050VM-3	902100VM-3	902200VM-3	902300VM-3
CHAIN	37	Hand chain	Capacity Dependent	150005W	150005W	150005W	150005W
ZF	45	Label	1	902050VM-45	902100VM-45	902200VM-45	902300VM-45
ZG	24	Gear cover	1	902050VM-24	902100VM-24	902200VM-24	902300VM-24
ZH	10	Overload hub	1	902050VM-10	902100VM-10	902200VM-10	902300VM-10

BEAVER V-SERIES CHAIN BLOCK SPARE PARTS LIST (CONT'D)

Beaver Spare Parts List - V-Series Chain Block 500kg – 3000kg (CONT'D)

Key No.	No. Reg	Part Name	Qty Required	500kg	1000kg	2000kg	3000kg
ZI	8	Overload disc 1	1	902050VM-8	902100VM-8	902200VM-8	902300VM-8
ZJ	9	Overload handwheel	1	902050VM-9	902100VM-9	902200VM-9	902300VM-9
ZK	8	Overload disc 2	1	902050VM-8	902100VM-8	902200VM-8	902300VM-8
ZL	7	Overload limiter base	1	902050VM-7	902100VM-7	902200VM-7	902300VM-7
ZM	52	Guide pins	3	902050VM-52	902100VM-52	902200VM-52	902300VM-52
ZN	6	Bellville washers	12	902050VM-6	902100VM-6	902200VM-6	902300VM-6
ZO	5	Overload limiter upper	1	902050VM-5	902100VM-5	902200VM-5	902300VM-5
ZP	4	Overload limiter locker	1	902050VM-4	902100VM-4	902200VM-4	902300VM-4
ZQ	56	Set screw	1	902050VM-56	902100VM-56	902200VM-56	902300VM-56

Beaver Spare Parts List - V-Series Chain Block 5000kg – 20000kg

Key No.	No. Reg	Part Name	Qty Required	5000kg	10000kg	20000kg
A	23	Gear support	1	5 tonne	10 tonne	20 tonne
B	22; 25	2nd / 3rd gear	2	902500VM-23	902600VM-23	902700VM-23
C	20A	Circlip Large	1	902500VM-22-25	902600VM-22-25	902700VM-22-25
D	21	1st gear	1	902500VM-20A	902600VM-20A	902700VM-20A
E	20	Pinion shaft	1	902500VM-21	902600VM-21	902700VM-21
F	16	Support pin	3	902500VM-20	902600VM-20	902700VM-20
G	18	Right side plate	1	902500VM-16	902600VM-16	902700VM-16
H	19	Hook pin	1	902500VM-18	902600VM-18	902700VM-18
I	38	Safety catch	1	902500VM-19	902600VM-19	902700VM-19
J	1	Top hook assy 500Kg; 1T; 2T	1	902500VM-38	902600VM-38	902700VM-38
	40	Top hook assy 3T; 5T	1	-	-	-
	41	Top hook assy 10T; 20T	1	902500VM-40	-	-
K	27	End anchor pin	1	-	902600VM-41	902700VM-41
L		End anchor	1	902500VM-27	902600VM-27	902700VM-27

Please refer to diagram on Page 72.

Beaver Spare Parts List - V-Series Chain Block 5000kg – 20000kg (CONT'D)

Key No.	No. Reg	Part Name	Qty Required	500kg	1000kg	2000kg
M	28	Chain stripper	1	902500VM-28	902600VM-28	902700VM-28
CHAIN	33	Load chain	Capacity Dependent	149010	149010	149010
O	35; 36; 37; 38; 39	Bottom hook assy 500Kg; 1T; 2T	1	-	-	-
	42	Bottom hook assy 3T; 5T	1	902500VM42	-	-
	43	Bottom hook assy 10T; 20T	1	-	902600VM-43	902700VM-43
P	21A	Bearing	2	590500VM-21A	902600VM-21A	902700VM-21A
Q	26	Load sprocket	1	902500VM-26	902600VM-26	902700VM-26
R	17	Guide roller	2	902500VM-17	902600VM-17	902700VM-17
S	15	Left side plate	1	902500VM-15	902600VM-15	902700VM-15
T	29	Pawl spring	2	902500VM-29	902600VM-29	902700VM-29
U	31	Brake pawl	2	902500VM-31	902600VM-31	902700VM-31
V	32	Circlip	2	902500VM-32	902600VM-32	902700VM-32
W	11	Brake cover	1	902500VM-11	902600VM-11	902700VM-11
X	2	NVM-31t	6	902500VM-2	902600VM-2	902700VM-2
Y	14	Brake HVM-31b	1	902500VM-14	902600VM-14	902700VM-14
Z	12	Ratchet gear	1	902500VM-12	902600VM-12	902700VM-12
ZA	13	Brake disc	1 pair	902500VM-13	902600VM-13	902700VM-13
ZB	44	Castle nut	1	902500VM-44	902600VM-44	902700VM-44
ZC	44A	Split pin	1	902500VM-44A	902600VM-44A	902700VM-44A
ZD	3	Hand wheel cover	1	902500VM-3	902600VM-3	902700VM-3
CHAIN	37	Hand chain	Capacity Dependent	150005W	150005W	150005W
ZF	45	Label	1	902500VM-45	902600VM-45	902700VM-45
ZG	24	Gear cover	1	902500VM-24	902600VM-24	902700VM-24
ZH	10	Overload hub	1	902500VM-10	902600VM-10	902700VM-10
ZI	8	Overload disc 1	1	902500VM-8	902600VM-8	902700VM-8
ZJ	9	Overload handwheel	1	902500VM-9	902600VM-9	902700VM-9
ZK	8	Overload disc 2	1	902500VM-8	902600VM-8	902700VM-8

Please refer to diagram on Page 72.

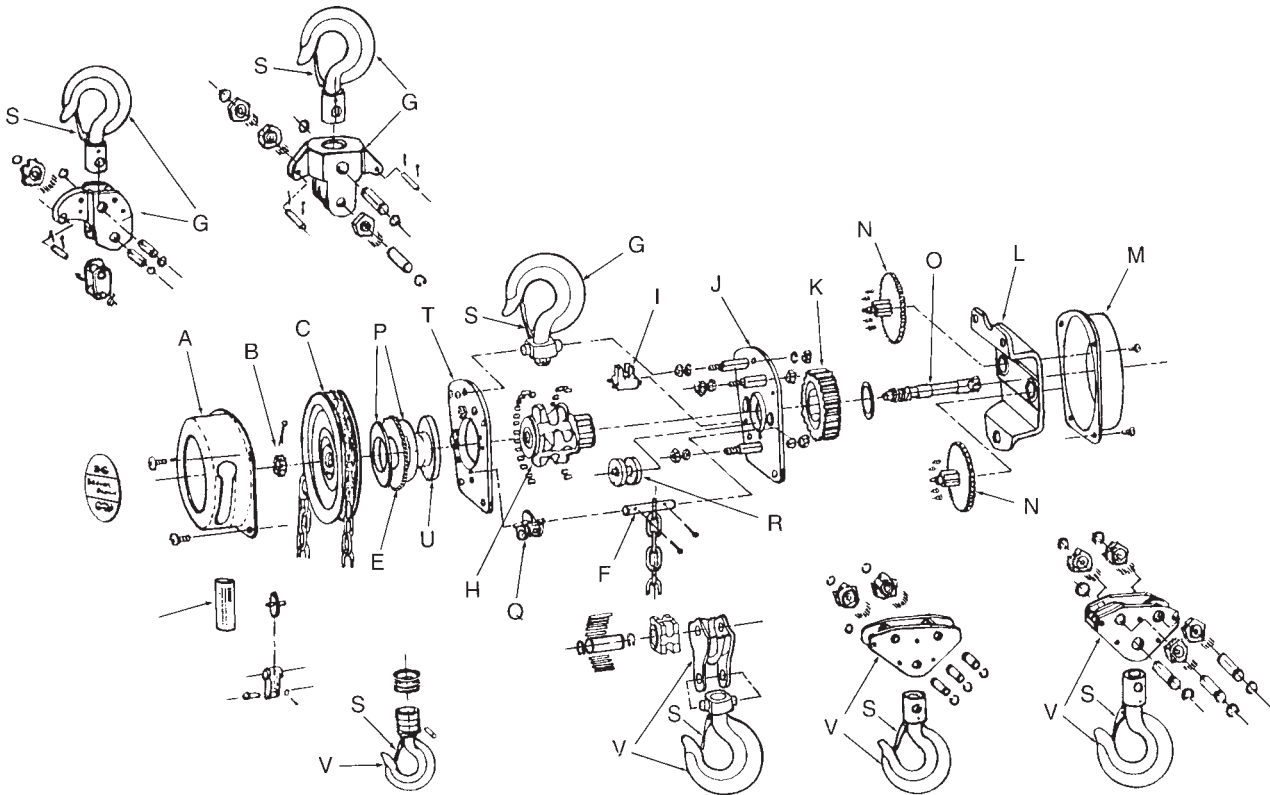
BEAVER V-SERIES CHAIN BLOCK SPARE PARTS LIST (CONT'D)

Beaver Spare Parts List - V-Series Chain Block 5000kg – 20000kg (CONT'D)

Key No.	No. Reg	Part Name	Qty Required	5000kg	10000kg	20000kg
ZL	7	Overload limiter base	1	902500VM-7	902600VM-7	902700VM-7
ZM	52	Guide pins	3	902500VM-52	902600VM-52	902700VM-52
ZN	6	Bellville washers	12	902500VM-6	902600VM-6	902700VM-6
ZO	5	Overload limiter upper	1	902500VM-5	902600VM-5	902700VM-5
ZP	4	Overload limiter locker	1	902500VM-4	902600VM-4	902700VM-4
ZQ	56	Set screw	1	902500VM-56	902600VM-56	902700VM-56

Please refer to diagram on Page 72.

BEAVER CHAIN BLOCK SPARE PARTS LIST



BEAVER CHAIN BLOCK SPARE PARTS LIST (CONT'D)

Beaver Chain Block Spare Parts List

Key No.	No. Reg	Part Name	500kg	1000kg	1500kg	2000kg	3000kg	5000kg	10000kg	20000kg
A	1	Handwheel Cover	590053A	590103A	590153A	590203A	590153A	590203A	590203A	590203A
B	1	Driving Shaft Nut	590053B	590103B	590153B	590203B	590153B	590203B	590203B	590203B
C	1	Hand Wheel	590053C	590103C	590153C	590203C	590153C	590203C	590203C	590203C
E	1	Ratchet Disc	590053D	590103D	590153D	590203D	590153D	590203D	590203D	590203D
F	1	Pin Kit	590053E	590103E	590153E	590203E	590153E	590203E	590203E	590203E
G	1	Top Hook Assembly	590053F	590103F	590153F	590203F	590153F	590203F	590203F	590203F
H	1	Chain Sprocket	590053G	590103G	590153G	590203G	590153G	590203G	590203G	590203G
I	1	Guide Chain Plate	590053H	590103H	590153H	590203H	590153H	590203H	590203H	590203H
J	1	Right Side Plate	590053I	590103I	590153I	590203I	590153I	590203I	590203I	590203I
K	1	Spined Gear	590053J	590103J	590153J	590203J	590153J	590203J	590203J	590203J
L	1	Bent Plate	590053K	590103K	590153K	590203K	590153K	590203K	590203K	590203K
M	1	Gear Cover	590053L	590103L	590153L	590203L	590153L	590203L	590203L	590203L
N	1	Disc Gear Set	590053M	590103M	590153M	590203M	590153M	590203M	590203M	590203M
O	1	Driving Shaft	590053N	590103N	590153N	590203N	590153N	590203N	590203N	590203N
P	1	Friction Disc	590053O	590103O	590153O	590203O	590153O	590203O	590203O	590203O
Q	1	Stripper	590053P	590103P	590153P	590203P	590153P	590203P	590203P	590203P
R	1	Guide Roller Kit	590053Q	590103Q	590153Q	590203Q	590153Q	590203Q	590203Q	590203Q
S	1	Latch Kit	590053S	590103S	590153S	590203S	590153S	590203S	590203S	590203S
T	1	Left Side Plate	590053T	590103T	590153T	590203T	590153T	590203T	590203T	590203T
U	1	Brake Set	590053U	590103U	590153U	590203U	590153U	590203U	590203U	590203U
V	1	Bottom Hook Assembly	590053V	590103V	590153V	590203V	590153V	590203V	590203V	590203V

PRODUCT REFERENCE GUIDE

Part Number	Page Number	Part Number	Page Number	Part Number	Page Number	Part Number	Page Number
260013	31	342601	56	557075	36	500056M	11
260025	31	342615	57	558063	39	500056MB	13
260050	31	342630	57	558076	39	500103M	11
260100	31	342635	58	558089	39	500103MB	13
260200	31	342650	57	558102	39	500106M	11
260320	31	426315	55	558114	39	500106MB	13
261050	26	504025	5	558127	39	500203M	11
261075	26	517125	55	558152	39	500206M	11
261100	26	517360	55	558178	39	500303M	11
261130	25	517450	55	558203	39	500306M	11
261200	26	517630	55	886840	27	500503M	12
261240	25	517900	55	250150A	25	500506M	12
261350	25	518508	42	250300A	25	500603M	12
261500	29	518516	42	250500A	25	500606M	12
262010	48	518532	42	263150R	27	500703M	12
262030	48	519508	40	263200F	32	500706M	12
262060	48	519516	40	263200T	32	500806M	12
262100	48	519532	40	263507K	28	502053VM	9
262200	48	550063	36	263507T	31	502103VM	9
262223	33	550076	36	270010Y	22	502203VM	9
262500	29	550089	36	270010YE	23	502303VM	9
263220	33	550102	36	270010YT	24	502503VM	9
263225	34	550114	36	270020Y	22	502603VM	9
263821	34	550127	36	270020YE	23	502703VM	9
263926	35	550152	36	270020YT	24	504050M	5
266020	30	550178	36	270030Y	22	504075M	5
266050	30	550203	36	270030YT	24	504150M	5
267400	26	551063	36	270050Y	22	504300M	5
268300	26	551076	36	270100Y	22	504600M	5
268500	26	551089	36	342513S	60	505075VM	7
342513	59	551102	36	342601B	56	505150VM	7
342514	59	551114	36	346001F	28	505300VM	7
342515	58	551127	36	500053M	11	505600VM	7
342525	58	551152	36	500053MB	13	505900VM	7



PRODUCT REFERENCE GUIDE

Part Number	Page Number	Part Number	Page Number	Part Number	Page Number	Part Number	Page Number
522003PT	20	557420S	38	BEL2103S	45	IWF750-3	60
522005S	17	557480S	38	BEL2106S	45	SF2200	54
522005SC	18	557675S	38	BEL2106S	45		
522010S	17	557750S	38	BEL2203SD	45		
522010SC	18	558063W	39	BEL2203SD	45		
522015S	15	558076W	39	BEL2206SD	45		
522020S	17	558089W	39	BEL2206SD	45		
522020SC	18	558102W	39	BEL2303ST	45		
522030S	17	558114W	39	BEL2303ST	45		
522030SC	18	558127W	39	BEL2306ST	45		
522050S	17	558152W	39	BEL2306ST	45		
522050SC	18	558178W	39	BET1000	46		
522100S	17	558203W	39	BET2000	46		
522200S	17	BEL1053S	44	BET3000	46		
523010S	16	BEL1053S	44	BHW1200	53		
523010SC	19	BEL1056S	44	BHW1800	53		
523020S	16	BEL1056S	44	BHW2600	53		
523020SC	19	BEL1103S	44	BMI1015	52		
523030S	16	BEL1103S	44	BMI1025	52		
523030SC	19	BEL1106S	44	BML-010	48		
523050S	16	BEL1106S	44	BML-030	48		
523050SC	19	BEL1203SD	44	BML-060	48		
523100S	16	BEL1203SD	44	BML-100	48		
523200S	16	BEL1206SD	44	BML-200	48		
523300S	16	BEL1206SD	44	BPL1020	51		
525005S	20	BEL1303ST	44	BPL1025	51		
525010S	20	BEL1303ST	44	BPL1030	51		
525020S	20	BEL1306ST	44	BPL3030	51		
525030S	20	BEL1306ST	44	BPL3050	51		
525050S	20	BEL2053S	45	BPL3075	51		
525100S	20	BEL2053S	45	BPL3100	51		
557210S	38	BEL2056S	45	BPL3220	51		
557275S	38	BEL2056S	45	HW1500	54		
557395S	38	BEL2103S	45	IPF750-3	60		