



TRANSPORT RESTRAINT
EQUIPMENT

10



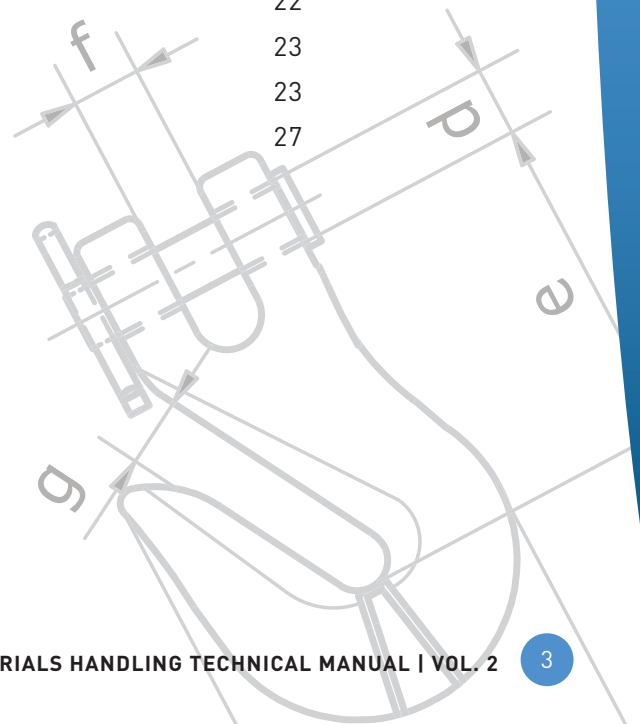
Beaver's range of Transport Restraint Equipment has been developed with the professional driver in mind. Our quality and functional range is made and tested to AS/NZS 4380 and AS/NZS 4344. From Load Binders and Transport Chain Kits, to Winches and Ratchet Tie Downs, Transport Chain and Fittings, there is sure to be a product within the range to suit your vehicle and fleet requirements.



Contents

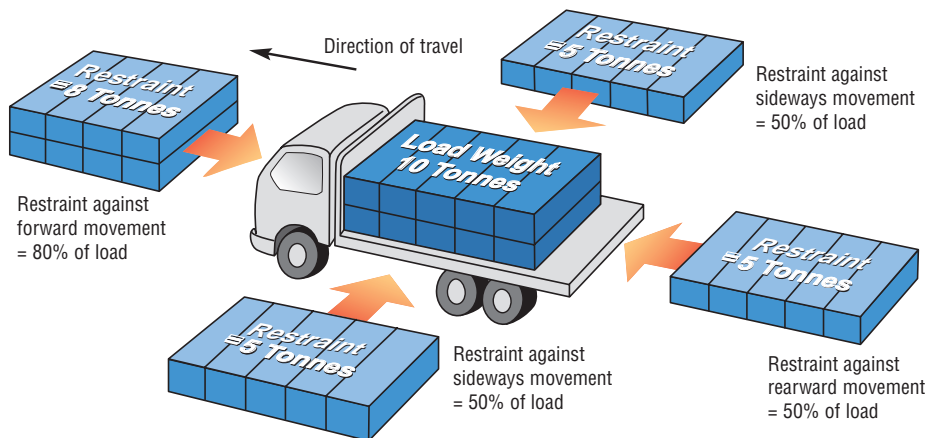
TRANSPORT RESTRAINT EQUIPMENT

BEAVER TRANSPORT RESTRAINT PRODUCT INFORMATION	4
BEAVER TRUCK WINCHES	5
BEAVER RATCHET ASSEMBLIES	7
BEAVER GRADE 70 LASHING CHAIN AND FITTINGS	10
BEAVER GRADE 70 LOADBINDERS	17
BEAVER GRADE 70 WEB DOG	20
BEAVER POLYESTER REPLACEMENT STRAPS	21
BEAVER WINCH BAR	22
BEAVER TRANSPORT GENERAL	22
BEAVER PRODUCTS	23
BEAVER JACK SERIES	23
PRODUCT REFERENCE GUIDE	27

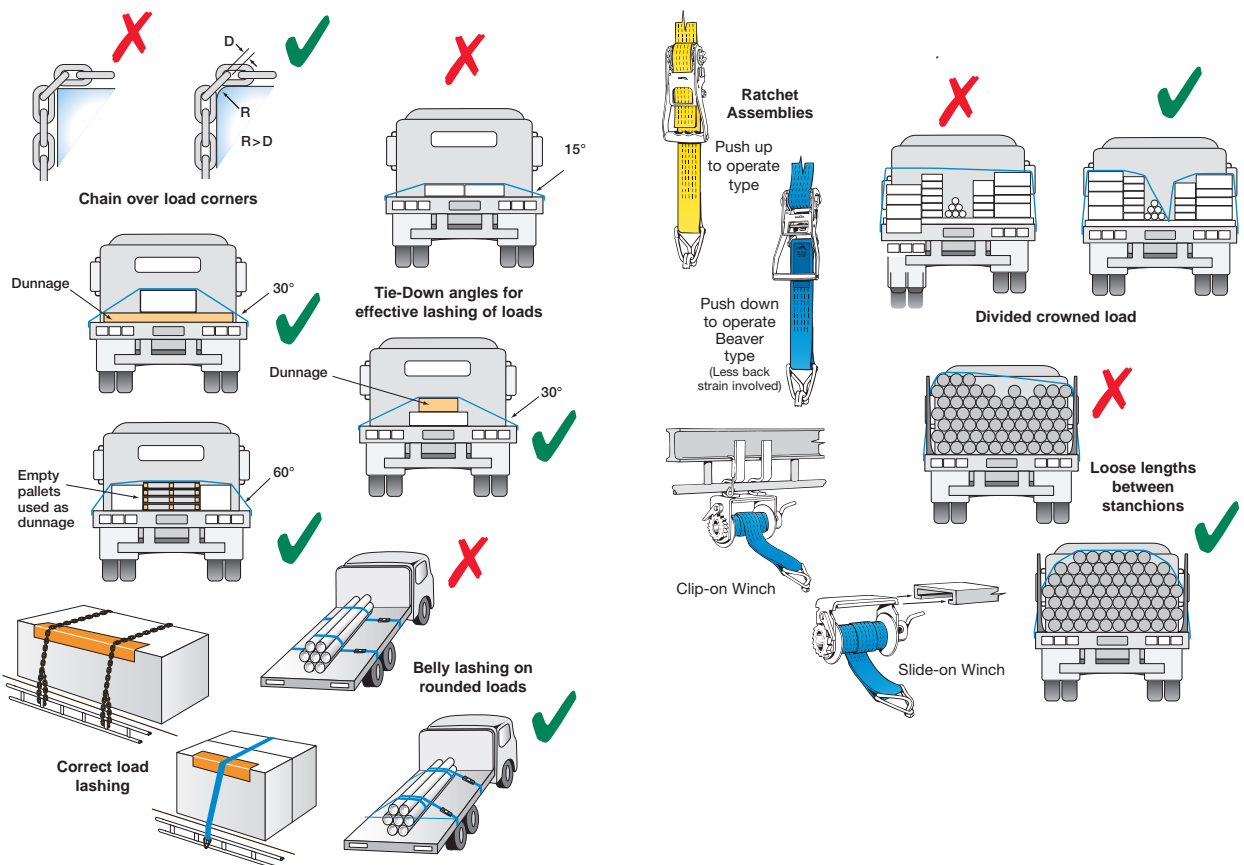


BEAVER TRANSPORT RESTRAINT PRODUCT INFORMATION

Safe Load Restraint Guide



Minimum Horizontal Restraint



BEAVER TRUCK WINCHES

Truck Winch Guidelines

- Keep it tight - not loose
- Make sure gear teeth are in good working order
- Make certain appropriate winch is used
- If you are using a Clip-on Winch – ensure the arms are straight not bent
- When in use, ensure that at least 3 loops of webbing remain on winch drum



Beaver Mark VI Clip-on Truck Winches

Complies to AS/NZS 4380

Code	Description	Hook Type	Width mm	Length m	L.C (Kg)	Weight (Kg)	UOM
342109-9	Clip-on winch c/w 9m strap	Hook & Keeper	50	9	3000	7.45	Each
342109-12	Clip-on winch c/w 12m strap	Hook & Keeper	50	12	3000	7.85	Each



Beaver Mark VI Slide-on Truck Winches

Complies to AS/NZS 4380

Code	Description	Hook Type	Width mm	Length m	L.C (Kg)	Weight (Kg)	UOM
342009-9	Slide-on winch c/w 9m strap	Hook & Keeper	50	9	3000	10.25	Each
342009-12	Slide-on winch c/w 12m strap	Hook & Keeper	50	12	3000	10.65	Each



Compatible with Beaver's Reversible Ratchet Winch Bar (342420)

BEAVER TRUCK WINCHES

Beaver Reversible Ratchet Winch Bar

To suit Mark VI Truck Winches ONLY

Code	Description	Weight (Kg)	UOM
342420	Reversible Ratchet Winch Bar	2.1	Each

Compatible with Beaver's Reversible Ratchet Winch Bar (342420)



Beaver Double Ended Slide-on Truck Winches

Complies to AS/NZS 4380

Code	Description	Hook Type	Width mm	Length m	L.C (Kg)	Weight (Kg)	UOM
342201B	D/E Slide-on winch (Bare)	n/a	n/a	n/a	2500	5.6	Each
342201	D/E Slide-on winch c/w 9m strap	Hook & Keeper	50	9	2500	7.7	Each

Compatible with Mark IV Winch Bar (342109 & 342009 Series)




WARNING

- Winches shall not be loaded in excess of lashing capacity.
- A minimum of two layers of polyester webbing must be wound around the winch drum when tensioning.

CARGO WINCHES ARE NOT APPROVED FOR LIFTING

BEAVER RATCHET ASSEMBLIES

Ratchet Assembly Guidelines

- Ratchet with hook and keeper must be fitted correctly, refer to the markings showing the lashing capacity
 - The Beaver ratchet has a double pawl and locking action safety system that prevents it accidentally slipping off the load
 - All Beaver webbing is treated with polyurethane, so as to resist grit penetration
 - All Beaver Truckers ratchet assemblies are provided with 2 protective sleeves
- 
- Reinforced eyes are provided with Beaver hook and keeper to add life to the unit
 - Safety and ID labels are sewn into the webbing for traceability with lashing capacity and date of manufacture shown to aid the driver in planning their WH&S risk



Not all Ratchet Tie-down (RTD) Assemblies are the Same!

Beaver Truckers' Ratchet Tie-down (RTD) Assemblies, ranging from 25mm to 100mm, have been developed with the following principles:

Safety

All Ratchet assemblies comply to Australian Cargo Restraint System Standards AS/NZS 4380.

Quality

RTD Straps are 100% polyester which is heat set, stretched and polyurethane (p.u.) impregnated, resulting in low strain, long life, wear resistance, and durability demanded in flatbed tie-down requirements.

Traceability

All RTD straps come complete with blue polyester safety labels, identifying the manufacturer / supplier, the material the straps are made from, the standard, the date of manufacture and the length. Also included is the serial number together with the date of manufacture which is stitched into the webbing for traceability, in the event the label is dislodged.

Testing

All RTD Assemblies are subject to testing criteria of our manufacturing process. In order to verify their lashing capacities after manufacture/assembly these are traced back to their batch serial numbers that appear on the blue polyester safety labels. This enables the products to be identified by our manufacturing procedure that is verified by further break tests in our NATA laboratories.

User friendly visual features

Consist of being able to recognise, at a glance the lashing capacity, which is stencilled on to the webbing and also the two (2) protective sleeves.

Flexibility

All RTD straps come complete with standard hook & keepers, clearly marked with lashing capacity and ID marks. Longer lengths of webbing, different webbing widths, together with an abundance of various end fittings are available on request and are made to order.

Back-up service

Beaver's nation-wide distribution branches, that are NATA accredited, can offer after-sales service in the form of inspection and testing of Ratchet assemblies & RTD straps by competent personnel.

BEAVER RATCHET ASSEMBLIES

Beaver 25mm Cam Buckle Assembly

c/w Black vinyl "S" Hooks at each end. Complies to AS/NZS 4380

Code	Description	Hook Type	Width mm	Length m	L.C (Kg)	Weight (Kg)	UOM
MBT020	25mm x 2m Motor Bike Tie Down (1 pair)	S	25	2	250	0.8	Each



Beaver 25mm Multi Purpose Ratchet Tie Down Assembly

Complies to AS/NZS 4380

Code	Description	Hook Type	Width mm	Length m	L.C (Kg)	Weight (Kg)	UOM
RTD025SD04E	25mm x 4m endless S/Duty	n/a endless	25	4	900	0.6	Each
349025RB	25mm x 5m rubber grip handle c/w hook & keeper	Hook & Keeper	25	5	500	0.8	Each
349025RSB	25mm x 4m rubber grip handle c/w black vinyl "S" hooks	S	25	4	450	0.75	Each



Beaver 35mm Multi Purpose Ratchet Tie Down Assembly

Complies to AS/NZS 4380

Code	Description	Hook Type	Width mm	Length m	L.C (Kg)	Weight (Kg)	UOM
RTD035SD06T	35mm x 6m Boat tie down assy. S/Duty	J & S	35	6	500	1.5	Each
RTD035HD06H	35mm x 6m c/w hook & keeper	Hook & Keeper	35	6	1250	1.5	Each
349035RB	35mm x 6m rubber grip handle c/w hook & keeper	Hook & Keeper	35	6	1500	1.6	Each
349035RSB	35mm x 6m rubber grip handle c/w black vinyl "S" hooks	S	35	6	1000	1.5	Each



WARNING

- Winches shall not be loaded in excess of lashing capacity.
- A minimum of two layers of polyester webbing must be wound around the winch drum when tensioning.

CARGO WINCHES ARE NOT APPROVED FOR LIFTING

Beaver 50mm Multi Purpose Ratchet Tie Down Assembly

Complies to AS/NZS 4380



Code	Description	Hook Type	Width mm	Length m	L.C (Kg)	Weight (Kg)	UOM
RTD050LD06H	50mm x 6m c/w hook & keeper L/Duty	Hook & Keeper	50	6	1000	1.6	Each
RTD050LD06S	50mm x 6m c/w "S" hooks L/Duty	S	50	6	500	1.5	Each
RTD055PL-4	50mm x 4m c/w hook & keeper	Hook & Keeper	50	4	2500	1.2	Each
RTD050HD08J	50mm x 8m H/D Ratchet Assy. f/w J Hook	J Hook	50	8	2500	2.8	Each
RTD055PL	50mm x 9m c/w hook & keeper	Hook & Keeper	50	9	2500	3.1	Each
RTD055PL-12	50mm x 12m c/w hook & keeper	Hook & Keeper	50	12	2500	3.4	Each

Beaver 50mm Heavy Duty Ratchet Tie Down Assembly

Rubber Grip Handle Complies to AS/NZS 4380



Code	Description	Hook Type	Width mm	Length m	L.C (Kg)	Weight (Kg)	UOM
349053	50mm x 9m c/w hook & keeper	Hook & Keeper	50	9	3000	3.5	Each
349053-12	50mm x 12m c/w hook & keeper	Hook & Keeper	50	12	3000	4.2	Each

Beaver 75mm Heavy Duty Ratchet Tie Down Assembly

Complies to AS/NZS 4380



Code	Description	Hook Type	Width mm	Length m	L.C (Kg)	Weight (Kg)	UOM
349075	75mm x 9m c/w hook & keeper H/Duty	Hook & Keeper	75	9	5000	7.5	Each
349075-12	75mm x 12m c/w hook & keeper H/Duty	Hook & Keeper	75	12	5000	8.2	Each
RTD075HD09E	75mm x 9m Endless	n/a Endless	75	9	5000	7.5	Each
RTD075HD10E	75mm x 10m Endless	n/a Endless	75	10	10000	8.0	Each

WARNING

- Winches shall not be loaded in excess of lashing capacity.
- A minimum of two layers of polyester webbing must be wound around the winch drum when tensioning.

CARGO WINCHES ARE NOT APPROVED FOR LIFTING



BEAVER GRADE 70 LASHING CHAIN AND FITTINGS



Beaver Grade 70 Transport Chain and Fittings

Beaver Transport Chain and fittings are manufactured from heat treated carbon steel, in accordance with Australian/ New Zealand Standards AS/NZS 4344

- Transport Chain and Components are primarily used in lashing applications to tie down loads on transport equipment
- Beaver G70 Chain is high quality and has undergone stringent testing and quality control
- All Beaver G70 Chain and Fittings are clearly marked Grade 70 with lashing capacity "LC" and size of chain
- Beaver Chain Kits are supplied in convenient resealable poly buckets for immediate use and easy storage

▶ The yellow Di-chromate (gold) plating makes it easily recognisable even from a distance

Transport Chain Fittings Guidelines

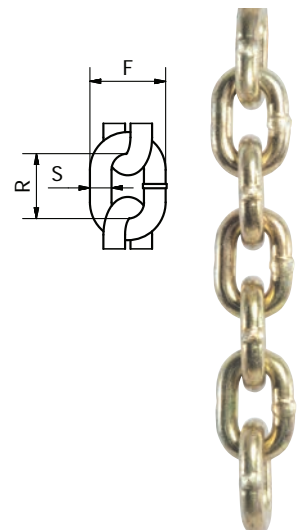
- ▶ Transport G70 Chain is NOT to be used for any lifting purpose
- ▶ Ensure your G70 Chain is marked showing capacity and Australian Standard for easy viewing confirmation of load size



Beaver Grade 70 Transport Chain

Zinc Di-chromate (Gold Finish) High Tensile – to AS/NZS 4344

Code	Lashing Capacity Tonnes	Size mm	S mm	R mm	F mm	Weight Per m	Finish	UOM	Metres Per 100 (Kg)
145006	2.3	6	6	18.5	20	0.8	Zinc Di-chromate	Metre	125
145007	3.0	7	7	22	24	1.1	Zinc Di-chromate	Metre	92
145008	3.8	8	8	24	28	1.43	Zinc Di-chromate	Metre	70
145010	6.0	10	10	30	35	2.23	Zinc Di-chromate	Metre	45
145013	9.0	13	13	39	45.5	3.75	Zinc Di-chromate	Metre	26.8



NOT TO BE USED FOR LIFTING

Metres per drum are subject to + or - 10% on actual metreage

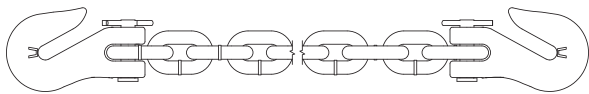
GRADE 70 LASHINGS & FITTINGS ARE NOT TO BE USED FOR LIFTING PURPOSES

* NOTE: The use of some grab hooks or systems incorporating grab hooks cause bending to occur on the link of lashing chain to which the grab hook is engaged. The bending and shearing effect of the hook reduces the strength of the chain by 25 percent and as such, the lashing capacity (LC) of this type of system must be reduced by 25 percent as prescribed in Australian Standard AS/NZS 4344

Beaver Grade 70 Load Chain Kit with Grab Hooks each end 6 metres of G70 chain

Zinc Di-chromate (Gold Finish) Complies to AS/NZS 4344

Code	Chain Size mm	Chain Length m	Chain Part Number	Grab Hook Part Number	Lashing Capacity Kg	Weight Kg	UOM
400603	6	6	145006	354006	2300	5.28	Each
409003	7.1	6	145007	354008	3000	7.3	Each
401003	8	6	145008	354008	3800	9.34	Each
406003	10	6	145010	354010	6000	14.32	Each



Beaver Grade 70 Load Chain Kit with Winged Grab Hooks* each end 9 metres of G70 chain

Zinc Di-chromate (Gold Finish) Complies to AS/NZS 4344

Code	Chain Size mm	Chain Length m	Chain Part Number	Grab Hook Part Number	Lashing Capacity Kg	Weight Kg	UOM
400903	6	9	145006	354006	2300	7.68	Each
411003	7.1	9	145007	354008	3000	10.57	Each
145128	8	9	145008	354008	3800	13.63	Each
408003	10	9	145010	354010	6000	20.98	Each



GRADE 70 LASHINGS & FITTINGS ARE NOT TO BE USED FOR LIFTING PURPOSES

* NOTE: The use of some grab hooks or systems incorporating grab hooks cause bending to occur on the link of lashing chain to which the grab hook is engaged. The bending and shearing effect of the hook reduces the strength of the chain by 25 percent and as such, the lashing capacity (LC) of this type of system must be reduced by 25 percent as prescribed in Australian Standard AS/NZS 4344

NOT APPROVED FOR LIFTING

BEAVER GRADE 70 LASHING CHAIN AND FITTINGS

Beaver Grade 70 Transport Chain with Claw Hooks each end 6 metres of G70 chain

Zinc Di-chromate (Gold Finish) Complies to AS/NZS 4344

Code	Chain Size mm	Chain Length m	Chain Part Number	Claw Hook Part Number	Lashing Capacity (Kg)	Weight (Kg)	UOM
401002	8	6	145008	352008	3800kg	9.68	Each
406002	10	6	145010	352010	6000kg	14.5	Each



Beaver Grade 70 Transport Chain with Claw Hooks each end 9 metres of G70 chain

Zinc Di-chromate (Gold Finish) Complies to AS/NZS 4344

Code	Chain Size mm	Chain Length m	Chain Part Number	Claw Hook Part Number	Lashing Capacity (Kg)	Weight (Kg)	UOM
411002	7.1	9	145007	352008	3000kg	10.91	Each
405002	8	9	145008	352008	3800kg	13.97	Each
408002	10	9	145010	352010	6000kg	21.16	Each



GRADE 70 LASHINGS & FITTINGS ARE NOT TO BE USED FOR LIFTING PURPOSES

* NOTE: The use of some grab hooks or systems incorporating grab hooks cause bending to occur on the link of lashing chain to which the grab hook is engaged. The bending and shearing effect of the hook reduces the strength of the chain by 25 percent and as such, the lashing capacity (LC) of this type of system must be reduced by 25 percent as prescribed in Australian Standard AS/NZS 4344

Beaver “Gold” Drag Chain Kit

Grade 70 Hi Tensile 5m Combo Kit c/w Lug Link, Slip Hook & Grab Hooks* & 5m of G70 chain.
Zinc Di-chromate (Gold Finish)

Code	Chain Size mm	Chain Length m	Chain Part Number	Grab Hook Part Number	Lug Link Part Number	Slip Hook Part Number	Lashing Capacity (Kg)	Weight (Kg)	UOM
412007	7.1	5	145007	354008	353008	356008	3000kg	6.69	Each
412008	8	5	145008	354008	353008	356008	3800kg	8.39	Each
412010	10	5	145010	354010	353010	356010	6000kg	12.8	Each
412013	13	5	145013	354013	353013	356013	9000kg	20.17	Each



Beaver “Gold” Drag Chain Kit

5m of Grade 70 Hi Tensile chain c/w Lug Link & Grab Hook*
Zinc Di-chromate (Gold Finish)

Code	Chain Size mm	Chain Length m	Chain Part Number	Grab Hook Part Number	Lug Link Part Number	Lashing Capacity (Kg)	Weight (Kg)	UOM
410007	7.1	5	145007	354008	353008	3000kg	6.33	Each
410008	8	5	145008	354008	353008	3800kg	8.03	Each
410010	10	5	145010	354010	353010	6000kg	12.2	Each
410013	13	5	145013	354013	353013	9000kg	20.78	Each



GRADE 70 LASHINGS & FITTINGS ARE NOT TO BE USED FOR LIFTING PURPOSES
* NOTE: The use of some grab hooks or systems incorporating grab hooks cause bending to occur on the link of lashing chain to which the grab hook is engaged. The bending and shearing effect of the hook reduces the strength of the chain by 25 percent and as such, the lashing capacity (LC) of this type of system must be reduced by 25 percent as prescribed in Australian Standard AS/NZS 4344

BEAVER GRADE 70 LASHING CHAIN AND FITTINGS

Beaver “Gold” Drag Chain Kit

5m of Grade 70 Hi Tensile chain c/w Lug Link & Slip Hook, Zinc Di-chromate (Gold Finish)

Code	Chain Size mm	Chain Length m	Chain Part Number	Slip Hook Part Number	Lug Link Part Number	Lashing Capacity (Kg)	Weight (Kg)	UOM
411007	7.1	5	145007	356008	353008	3000kg	6.31	Each
411008	8	5	145008	356008	353008	3800kg	8.01	Each
411010	10	5	145010	356010	353010	6000kg	12.3	Each
411013	13	5	145013	356013	353013	9000kg	21.26	Each

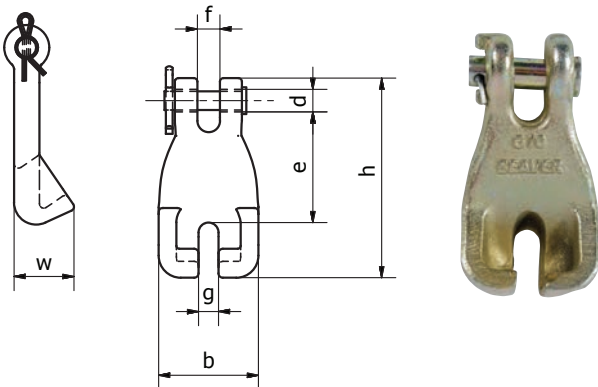


Beaver Clevis Claw Hooks

Grade 70 “Gold” Hi Tensile Fittings, Zinc Di-chromate (Gold Finish)

Complies to AS/NZS 4344

Code	Chain Size mm	f mm	d mm	e mm	h mm	g mm	b mm	w mm	Lashing Capacity (Kg)	Weight (Kg)	UOM
352008	7-8	12.5	10.2	40	88	9.5	47	32	3800kg	0.55	Each
352010	10	12.5	12.5	46	103	11.5	55	37.5	6000kg	0.59	Each



GRADE 70 LASHINGS & FITTINGS ARE NOT TO BE USED FOR LIFTING PURPOSES

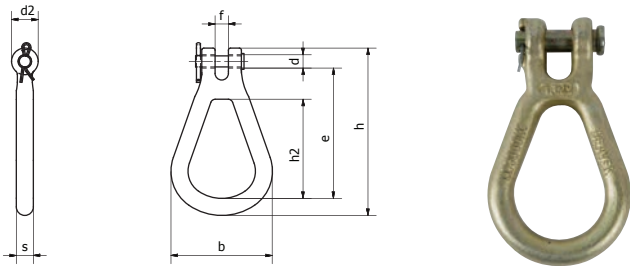
* NOTE: The use of some grab hooks or systems incorporating grab hooks cause bending to occur on the link of lashing chain to which the grab hook is engaged. The bending and shearing effect of the hook reduces the strength of the chain by 25 percent and as such, the lashing capacity (LC) of this type of system must be reduced by 25 percent as prescribed in Australian Standard AS/NZS 4344

Beaver Clevis Lug Links

Grade 70 "Gold" Hi Tensile Fittings, Zinc Di-chromate (Gold Finish)

Complies to AS/NZS 4344

Code	Chain Size mm	f mm	d mm	e mm	h mm	h2 mm	b mm	s mm	d2 mm	Lashing Capacity (Kg)	Weight (Kg)	UOM
353008	7-8	12.5	10	108.5	141.7	78	86.5	16.25	24	3800kg	0.5	Each
353010	10	12.5	12.5	107.25	141.7	78	86.5	16.25	24	6000kg	0.6	Each
353013	13	16.6	16	127.2	169	95.5	100.4	18.6	33	9000kg	1.5	Each

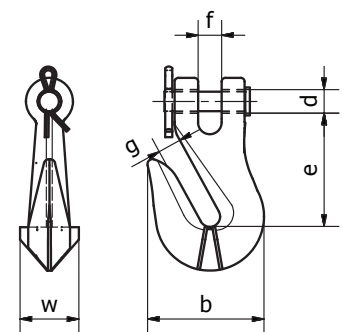


Beaver Clevis Grab Hooks* w/- Wings

Grade 70 "Gold" Hi Tensile Fittings, Zinc Di-chromate (Gold Finish)

Complies to AS/NZS 4344

Code	Chain Size mm	f mm	d mm	e mm	b mm	g mm	w mm	Lashing Capacity (Kg)	Weight (Kg)	UOM
354006	6	9.2	8.5	46.4	49	9.2	22	2300kg	0.24	Each
354008	7-8	10.4	10.5	49	57	10.5	28	3800kg	0.38	Each
354010	10	12.4	12.5	60.5	66.5	13.5	39	6000kg	0.5	Each
354013	13	19.5	16.5	84	88	18	39	9000kg	0.63	Each



GRADE 70 LASHINGS & FITTINGS ARE NOT TO BE USED FOR LIFTING PURPOSES

* NOTE: The use of some grab hooks or systems incorporating grab hooks cause bending to occur on the link of lashing chain to which the grab hook is engaged. The bending and shearing effect of the hook reduces the strength of the chain by 25 percent and as such, the lashing capacity (LC) of this type of system must be reduced by 25 percent as prescribed in Australian Standard AS/NZS 4344

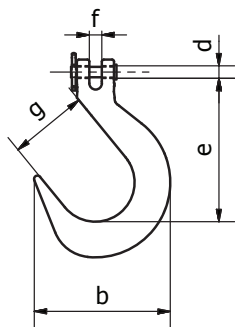
BEAVER GRADE 70 LASHING CHAIN AND FITTINGS

Beaver Clevis Slip Hooks

Grade 70 "Gold" Hi Tensile Fittings, Zinc Di-chromate (Gold Finish)

Complies to AS/NZS 4344

Code	Chain Size mm	f mm	d mm	e mm	b mm	g mm	Lashing Capacity (Kg)	Weight (Kg)	UOM
356006	6	9	7.8	63	69	19	2300kg	0.22	Each
356008	7-8	11	9.5	69	80	26	3800kg	0.36	Each
356010	10	12	12	79.5	90	33	6000kg	0.6	Each
356013	13	19	16.3	102	121.5	43	9000kg	1.19	Each



BEAVER SILVER ROPE

Beaver "Truckers" - Truckers Silver Lashing Rope To AS 4142.2

(3 Strand Polyethelene - Ultra-violet treated) Full Cartons Only

Z Twist, Medium Lay - White Coil with Black & Yellow External Tracer

Code	Size mm	Min breaking force kN	Coil Length	Hanks Per Carton
347010HC	10	9.26	10m	10
347010HD	10	9.26	12m	10
347012HD	12	12.4	12m	10



GRADE 70 LASHINGS & FITTINGS ARE NOT TO BE USED FOR LIFTING PURPOSES

* NOTE: The use of some grab hooks or systems incorporating grab hooks cause bending to occur on the link of lashing chain to which the grab hook is engaged. The bending and shearing effect of the hook reduces the strength of the chain by 25 percent and as such, the lashing capacity (LC) of this type of system must be reduced by 25 percent as prescribed in Australian Standard AS/NZS 4344

BEAVER GRADE 70 LOADBINDERS

Transport Loadbinders Guidelines

- Avoid injury – operate by hand only from a standing position
- Load binding systems store energy which can release suddenly, causing injury. Stay clear of handle, as it could suddenly release with force
- Routinely inspect loadbinders before using, for wear, bending, cracks and gouges. Do not use the loadbinder if any of the above are present and replace any damaged or defective loadbinders
- Use only the appropriate size and grade of chain with the loadbinder
- Do not use handle extensions (pipes or cheater bars) as they can overload and weaken the entire system
- Make sure loadbinders are tight before moving. Stop and recheck tightness frequently
- Never discard warning instructions. Keep them and share them with others using the loadbinder



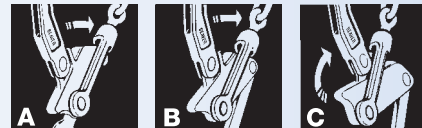
BX600

The Safety Release Handle makes this Loadbinder less dangerous than other lever style loadbinders on the market today.

The loadbinder design allows the user to release the loadbinder tension without any recoil of the handle, typical of a lever style loadbinder. The centre body of the loadbinder independently rotates, free of the handle to release the tension smoothly and easily.

This reduces the chance of injury from the handle swinging with substantial force when released.

Unique Cam Movement



A
The handle of the BX600 moves freely to the beginning of the release point.

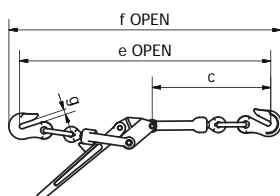
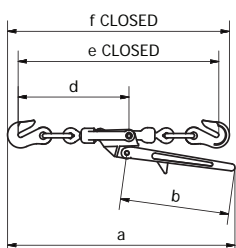
B
The body cam centre begins to rotate independently of the handle at this stage.

C
As the chain tension is released, the handle will remain almost in the same position.

Beaver Grade 70 Safety Release Lever BX600 type

Recoilless Loadbinders AS/NZS 4344

Code	Chain Size and Description	f Closed mm	e Closed mm	d mm	b mm	a mm	f Open mm	e Open mm	c mm	Lashing Capacity (Kg)	Weight (Kg)	UOM
344208	7-8mm c/w winged eye grab hooks	555	500	280	320	603	665	610	280	3800	4.4	Each
344210	10mm c/w winged eye grab hooks	663	595	335	390	703	773	705	335	6000	6.6	Each

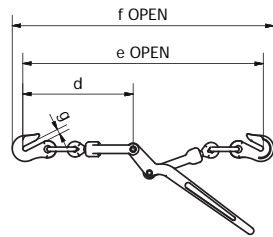
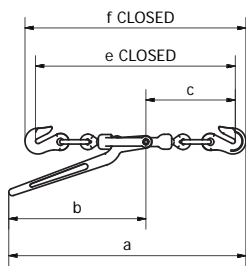


BEAVER GRADE 70 LOADBINDERS

Beaver Grade 70 Double Swivel (over centre loadbinder)

Lever Loadbinders (Forged) AS/NZS 4344

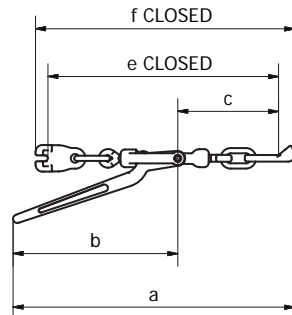
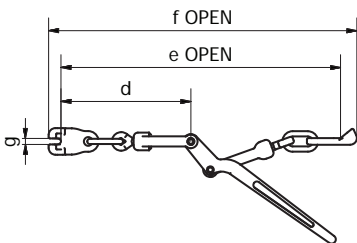
Code	Chain Size and Description	f Closed mm	e Closed mm	d mm	b mm	a mm	f Open mm	e Open mm	c mm	Lashing Capacity [Kg]	Weight [Kg]	UOM
345006A	6mm c/w winged eye grab hooks*	409	365	215	293	470	484	440	164	2300	1.68	Each
348000	7-8mm c/w winged eye grab hooks*	558	503	287	383	600	662	607	217	3800	3.7	Each
348010	10mm c/w winged eye grab hooks*	638	570	325	420	760	758	690	250	6000	5.7	Each
348013	13mm c/w winged eye grab hooks*	747	661	375	490	819	876	790	285	9000	10.5	Each



Beaver Grade 70 Double Swivel (over centre loadbinder)

Claw Lever Loadbinders (Forged) AS/NZS 4344

Code	Chain Size and Description	f Closed mm	e Closed mm	d mm	b mm	a mm	f Open mm	e Open mm	c mm	Lashing Capacity [Kg]	Weight [Kg]	UOM
348000EC	7-8mm c/w eye claw hooks	529	489	280	400	601	633	593	208	3800	3.9	Each



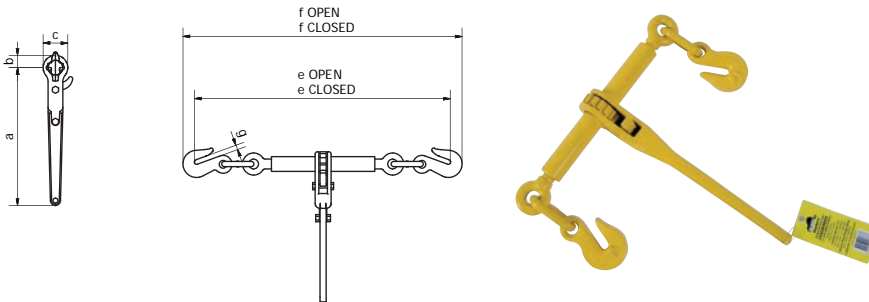
GRADE 70 LASHINGS & FITTINGS ARE NOT TO BE USED FOR LIFTING PURPOSES

* NOTE: The use of some grab hooks or systems incorporating grab hooks cause bending to occur on the link of lashing chain to which the grab hook is engaged. The bending and shearing effect of the hook reduces the strength of the chain by 25 percent and as such, the lashing capacity (LC) of this type of system must be reduced by 25 percent as prescribed in Australian Standard AS/NZS 4344

Beaver Grade 70 Ratchet type Loadbinders

Yellow Painted Finish – to AS/NZS 4344

Code	Chain Size and Description	f Closed mm	e Closed mm	g mm	b mm	a mm	f Open mm	e Open mm	c mm	Lashing Capacity (Kg)	Weight (Kg)	UOM
344006	6mm c/w winged eye grab hooks*	459	415	10	21	205	572	528	42	2300	1.69	Each
344008	7-8mm c/w winged eye grab hooks*	638	583	12.7	32.5	350	799	744	65	3800	4.7	Each
344010	10mm c/w winged eye grab hooks*	671	603	16.5	32.5	350	836	768	65	6000	5.1	Each
344013	13mm c/w winged eye grab hooks*	776	690	18.5	32.5	350	946	860	65	9000	7.18	Each



GRADE 70 LASHINGS & FITTINGS ARE NOT TO BE USED FOR LIFTING PURPOSES

* NOTE: The use of some grab hooks or systems incorporating grab hooks cause bending to occur on the link of lashing chain to which the grab hook is engaged. The bending and shearing effect of the hook reduces the strength of the chain by 25 percent and as such, the lashing capacity (LC) of this type of system must be reduced by 25 percent as prescribed in Australian Standard AS/NZS 4344

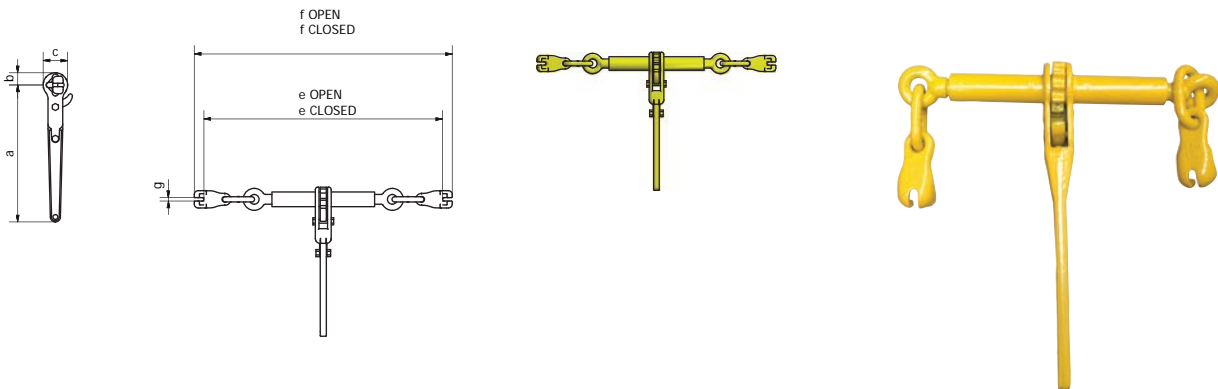
NOT APPROVED FOR LIFTING

BEAVER GRADE 70 LOADBINDERS (CONT'D)

Beaver Grade 70 Ratchet type Loadbinders c/w Eye Claw Hooks

Yellow Painted Finish – to AS/NZS 4344

Code	Chain Size and Description	f Closed mm	e Closed mm	d mm	b mm	a mm	f Open mm	e Open mm	c mm	Lashing Capacity (Kg)	Weight (Kg)	UOM
344108	7-8mm c/w eye claw hooks	667	609	9.5	32.5	355	831	773	65	3800	4.9	Each
344110	10mm c/w eye claw hooks	712	644	11.5	32.5	355	877	809	65	6000	5.3	Each

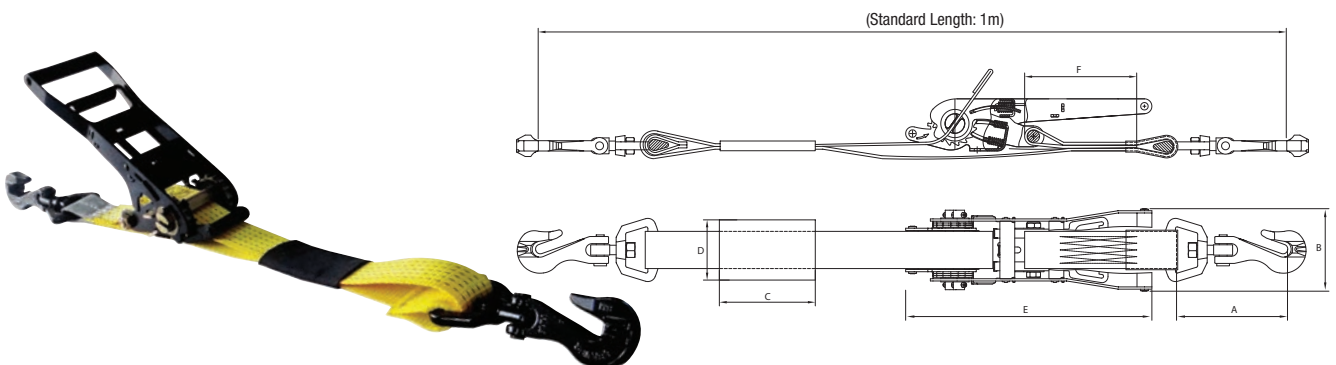


BEAVER GRADE 70 WEB DOG

Beaver Grade 70 Web – Dog

Complies to AS/NZS 4344 and AS/NZS 4380

Code	Chain Size and Description	A mm	B mm	C mm	D mm	E mm	F mm	Length m	LC (Kg)	Weight (Kg)	UOM
348000WF	50mm Ratchet assembly fitted with 8mm grab hooks* & 1m of 50mm heavy duty webbing	150	110	120	75	335	145	1	3800	3.8	Each



GRADE 70 LASHINGS & FITTINGS ARE **NOT APPROVED FOR LIFTING**

* NOTE: The use of some grab hooks or systems incorporating grab hooks cause bending to occur on the link of lashing chain to which the grab hook is engaged. The bending and shearing effect of the hook reduces the strength of the chain by 25 percent and as such, the lashing capacity (LC) of this type of system must be reduced by 25 percent as prescribed in Australian Standard AS/NZS 4344

BEAVER POLYESTER REPLACEMENT STRAPS

Beaver Cargo Winch Polyester Replacement Straps

c/w 2 x wear sleeves & Hook & keeper (unless otherwise stated) Complies to AS/NZS 4380

Code	Description	Lashing Capacity (Kg)	Hook Type	Width mm	Length Mtr	Weight (Kg)	UOM
342305WF	50mm x 5m Gate Winch Replacement Strap c/w Double "J" Hook	2000kg	J Hook	50	5	0.76	Each
342313	50mm x 9m Winch Replacement Strap	3000kg	Hook & Keeper	50	9	2	Each
342313-12	50mm x 12m Winch Replacement Strap	3000kg	Hook & Keeper	50	12	2.5	Each
CWS075SD09H	75mm x 9m Strap c/w hook & Keeper S/Duty	3500kg	Hook & Keeper	75	9	3	Each



Beaver Ratchet Tie-down (RTD) Polyester Replacement Straps

c/w 2 x wear sleeves & Hook & keeper (unless otherwise stated)

Complies to AS/NZS 4380

Code	Description	Lashing Capacity (Kg)	Hook Type	Width mm	Length Mtr	Weight (Kg)	UOM
349303R	50mm x 9m RTD Replacement Strap	3000kg	Hook & Keeper	50	9	2	Each
349303R - 12	50mm x 12m RTD Replacement Strap	3000kg	Hook & Keeper	50	12	2.5	Each
349305R	75mm x 9m RTD Replacement Strap	5000kg	Hook & Keeper	75	9	3	Each
349305R-12	75mm x 12m RTD Replacement Strap	5000kg	Hook & Keeper	75	12	3.5	Each

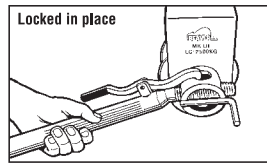
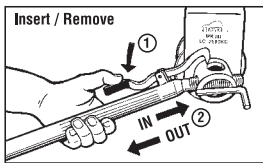


BEAVER WINCH BAR

Beaver Truckers Winch Bar

c/w Safety trigger and knurled non-slip handle for easy grip (all steel construction and chrome plated) for use with all Mark IV winches

Code	Description	Weight (Kg)	UOM
343400S	winch bar, chrome plated with safety retaining device	2.5	Each



WARNING

- Never release the winch bar Safety Retaining Device without checking that the ratchet pawl is fully engaged between the ratchet gear teeth.
- Releasing a winch bar without the ratchet pawl being fully engaged can cause serious injury to the user or bystanders.

Safety and Operating Instructions

- "Cheater Bars" (extenders) should not be used with winch bars.
- To prevent the winch bar from slipping out and overloading the tip and / or end cap, the tip of the winch bar shall be inserted through both opposing slotted holes on the winch drum end cap of the Beaver Mark III Truck Winches.

BEAVER TRANSPORT GENERAL

Beaver Corner Protector

Code	Description	Pack Qty	Weight (Kg)	UOM
340000	Corner Protector 140 x 140 x 1040mm	1	2	Each
340010	Corner Protector 85 x 85 x 300mm	10	0.022	Each



Beaver EPM Rubber Tie Downs for tarps

Code	Strap Length Inch	Max. Safe Stretch Inch	Qty Per Bag	Weight Each (Kg)	UOM	Bags Per Carton
340721	21	32	10	0.12	Each	10
340731	31	46	5	0.16	Each	20



BEAVER PRODUCTS

Beaver Roval Truck Wheel Wrenches

Code	Description	Weight Each (Kg)	UOM
TWB032	32mm x 17mm x 300mm	2.375	Each
TWB035	35mm x 17mm x 300mm	2.375	Each
TWB038	38mm x 21mm x 395mm	3.667	Each
TWB041	41mm x 21mm x 395mm	4.000	Each
TWB041A	41mm x 19mm x 395mm	3.833	Each
TWB114A	11/4" x 11/16" x 395mm	3.500	Each
TWB118	11/8" x 15/16" x 395mm	3.500	Each
TWB516	15/16" x 21mm x 395mm	3.500	Each
TWB516A	15/16" x 11/4" x 395mm	3.500	Each
BARTWW040	400mm Wrench Bar Only	0.920	Each
BARTWW050	500mm Wrench Bar Only	1.917	Each

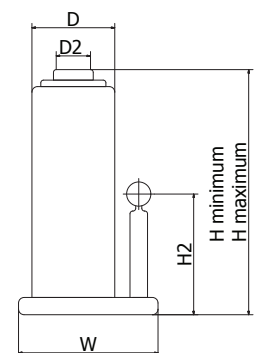


BEAVER JACK SERIES

Beaver Roval Black Jax Series Bottle Jacks

Complies to AS/NZS 2693

Code	Description	Capacity Tonnes	D mm	D2 mm	H2 mm	W mm	Screw Adjusting Height mm	Lift Height mm	Minimum Height H minimum mm	Maximum Height H maximum (Kg)	Weight (Kg)	UOM
Jax00186	Bottle Jack	1.86	60	30	76	109	60	125	200	385	3.8	Each
Jax004	Bottle Jack	4	70	32	79	109	80	125	200	405	4.8	Each
Jax006	Bottle Jack	6	70	29	81	109	70	127	216	413	4.6	Each
Jax008	Bottle Jack	8	85	40	83	135	80	160	240	480	7.3	Each
Jax010	Bottle Jack	10	95	43	84	148	80	160	245	485	9.3	Each
Jax015	Bottle Jack	15	102	45	85	158	85	170	245	500	12.6	Each
Jax020	Bottle Jack	20	114	54	86	165	90	192	278	560	16.4	Each

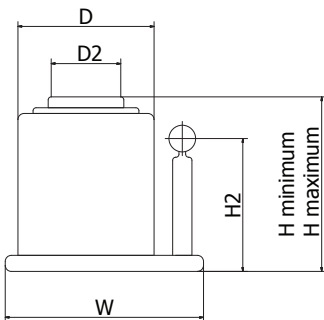


BEAVER JACK SERIES

Beaver Roval Squat -Jax Series Bottle Jacks

Complies to AS/NZS 2693 – Designed for use where 12 – 20 tonne lift is required, but ground clearance does not exceed 195mm

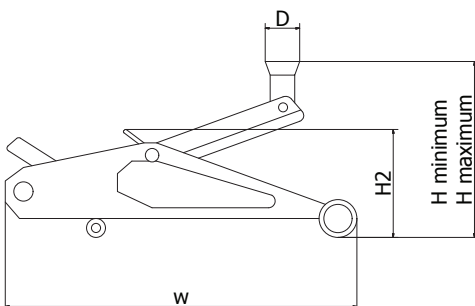
Code	Description	Capacity Tonnes	D mm	D2 mm	H2 mm	W mm	Screw Adjusting Height mm	Lift Height mm	Minimum Height H minimum mm	Maximum Height H maximum (Kg)	Weight (Kg)	UOM
BJS012	Squat Bottle Jack	12	95	43	84	136	65	105	191	361	7.6	Each
BJS016	Squat Bottle Jack	16	110	45	85	150	65	110	191	356	9.4	Each
BJS020	Squat Bottle Jack	20	114	45	92	166	72	113	191	376	11.3	Each



Beaver Roval Trolley Jack

Complies to AS/NZS 2615 D.I.Y. Home Mechanic

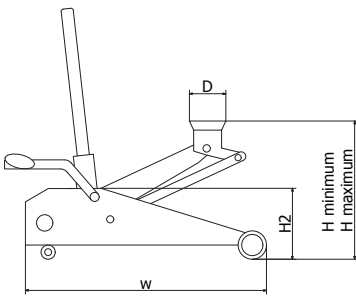
Code	Description	Capacity Tonnes	D mm	H2 mm	W mm	Wheelbase Length mm	Minimum Height H minimum mm	Maximum Height H maximum mm	Nett Weight (Kg)	UOM
TJK014	Trolley Jack	1.4	50	132	492	410	130	350	11	Each



Beaver Roval Trolley Jack Garage

Complies to AS/NZS 2615 With quick lift pedal

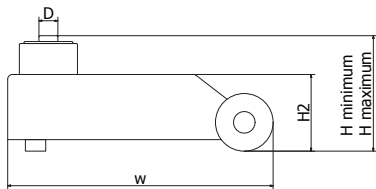
Code	Description	Capacity Tonnes	D mm	H2 mm	W mm	Wheelbase Length mm	Minimum Height H minimum mm	Maximum Height H maximum mm	Nett Weight (Kg)	UOM
GJK022	Trolley Jack w/- quick lift pedal	2.25	120	155	685	520	145	490	39.5	Each



BEAVER JACK SERIES (CONT'D)

Beaver Roval Air / Hydraulic Trolley Jack

Code		Description	Capacity Tonnes	D mm	H2 mm	W mm	Minimum Height H minimum mm	Maximum Height H maximum mm	Nett Weight (Kg)	UOM
GJK200	TQ22001	Air/Hydraulic Trolley Jack	20	280	360	660	265	510	46	Each



PRODUCT REFERENCE GUIDE

Part Number	Page Number	Part Number	Page Number	Part Number	Page Number	Part Number	Page Number
145006	10	348010	18	409003	11	RTD055PL	9
145007	10	348013	18	410007	13	RTD055PL-12	9
145008	10	349025RB	8	410008	13	RTD055PL-4	9
145010	10	349025RSB	8	410010	13	RTD050HD08J	9
145013	10	349035RB	8	410013	13	RTD075HD09E	9
145128	11	349035RSB	8	411002	12	RTD075HD10E	9
340000	22	349053	9	411003	11	TJK014	24
340010	22	349053-12	9	411007	14	TWB032	23
340721	22	349075	9	411008	14	TWB035	23
340731	22	349075-12	9	411010	14	TWB038	23
342009-9	5	349303R	21	411013	14	TWB041	23
342009-12	5	349303R -12	21	412007	13	TWB041A	23
342109-9	5	349305R	21	412008	13	TWB114A	23
342109-12	5	349305R-12	21	412010	13	TWB118	23
342201	6	352008	14	412013	13	TWB516	23
342201B	6	352010	14	BARTWW040	23	TWB516A	23
342305WF	21	353008	15	BARTWW050	23		
342313	21	353010	15	BJS012	24		
342313-12	21	353013	15	BJS016	24		
342420	6	354006	15	BJS020	24		
343400S	22	354008	15	CWS075SD09H	21		
344006	19	354010	15	GJK022	25		
344008	19	354013	15	GJK200	25		
344010	19	356006	16	Jax00186	23		
344013	19	356008	16	Jax004	23		
344108	20	356010	16	Jax006	23		
344110	20	356013	16	Jax008	23		
344208	17	400603	11	Jax010	23		
344210	17	400903	11	Jax015	23		
345006A	18	401002	12	Jax020	23		
347010HC	16	401003	11	MBT020	8		
347010HD	16	405002	12	RTD025SD04E	8		
347012HD	16	406002	12	RTD035HD06H	8		
348000	18	406003	11	RTD035SD06T	8		
348000EC	18	408002	12	RTD050LD06H	9		
348000WF	20	408003	11	RTD050LD06S	9		