

ABA ROBUST ACID RESISTANT



- ① **The bolt is manufactured with integrated spacer** – one piece less to take care of
- ② **Band bridge with rolled up edges** – to protect the hose when the tightening force becomes high
- ③ **Hexagonal bolt** – ordinary tools such as a universal spanner can be used for tightening

A strongly dimensioned hose clamp

A big, strong clamp producing a secure and careful grip around powerful hoses. The Robust Acid resistant clamp is used where great tightening forces are needed – for instance large and reinforced hoses within agriculture, irrigation, drainage systems, sludge suction etc. where there is a high demand for durability and a safe functionality in spite of tough handling and severe conditions.

The curve radius of the band bridge, the even transitions between the parts and the band as well as the smooth band underside give a good contact surface against the hose and consequently good sealing.

Advantages at a glance

- Gentle on the hose when the tightening force becomes high
- Withstands hard tightening, repeated mounting and dismounting
- Safe functionality in severe conditions

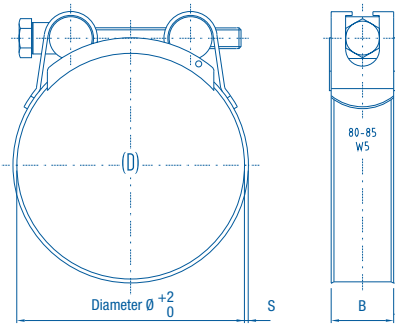
Materials



Typical applications

- For large/reinforced hoses
- Agriculture
- Irrigation
- Drainage systems
- Sludge suction

Dimensions



Specifications

ABA ROBUST ACID RESISTANT							
Width (B mm)	Clamping ranges (D mm)	Clamping ranges (D in.)	S (in)	Hexagonal screw (mm)	S50 Product No.		
18	17-19	11/16-3/4	0.6	M5x35	0569 6013 019		
	20-22	13/16-7/8		M5x35	0569 6013 022		
	23-25	15/16-1		M5x35	0569 6013 025		
	26-28	1-11/8		M5x35	0569 6013 028		
	29-31	11/8-11/4		M5x35	0569 6013 031		
20	32-35	11/4-13/8	1	M6x50	0569 7013 035		
	36-39	17/16-19/16		M6x50	0569 7013 039		
	40-43	19/16-111/16		M6x50	0569 7013 043		
	44-47	13/4-17/8		M6x50	0569 6013 047		
	48-51	17/8-2		M6x50	0569 6013 051		
	52-55	21/16-23/16		M6x50	0569 7013 055		
	56-59	23/16-25/16		M6x55	0569 7013 059		
	60-63	23/8-21/2		M6x55	0569 7013 063		
	25	64-67		21/2-25/8	1.2	M8x70	0569 6014 067
		68-73		211/16-27/8		M8x70	0569 7014 073
74-79		215/16-31/8	M8x70	0569 7014 079			
80-85		31/8-33/8	M8x70	0569 7014 085			
86-91		33/8-39/16	M8x70	0569 7014 091			
92-97		35/8-313/16	M8x70	0569 7014 097			
98-103		37/8-41/16	M8x70	0569 7014 103			
104-112		41/16-47/16	M8x80	0569 6014 112			
113-121		47/16-43/4	M8x80	0569 7014 113			
122-130		413/16-51/8	M8x80	0569 7014 130			
131-139		53/16-51/2	M8x80	0569 6014 139			
140-148		51/2-513/16	M8x80	0569 7014 148			
149-161		57/8-65/16	1.5	M8x80		0569 7014 161	
162-174		63/8-67/8		M8x80		0569 6014 174	
175-187		67/8-73/8		M8x80		0569 6014 187	
188-200	73/8-77/8	M8x80		0569 6014 200			
201-213	715/16-83/8	M8x80		0569 6014 213			
214-226	87/16-87/8	M8x80		0569 6014 226			
227-239	815/16-97/16	M8x80		0569 6014 239			
240-252	97/16-915/16	M8x80	0569 6014 252				

BREEZE T-BOLT



- ① Locking or free-spinning nut.
- ② Bolt available in carbon or stainless.
- ③ Floating bridge for 360° loading.
- ④ S40 stainless steel band with safety edge.

Engineered for long-term durability

A clamp that is performance engineered for long-term durability and manufactured to the highest quality standards. Designed for a wide variety of automotive, industrial and marine applications.

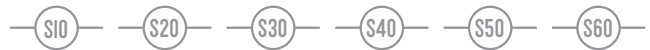
Advantages at a glance

- High-strength clamp design
- Available with Spring design for constant tension

Typical applications

- Commercial vehicles
- Passenger vehicles
- Industrial
- Infrastructure

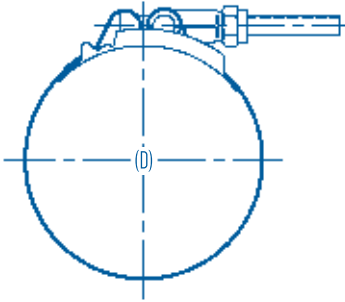
Materials



×*

* Classified by corrosion resistance. Band material S40/Screw material S10. According to DIN norm it is comparable to W2.

Dimensions



Specifications

BREEZE T-BOLT			
Width (mm)	Clamping ranges (D mm)	Clamping ranges* (D in.)	S40 Product No.
19	44.5-50.8	1 3/4-2	0363 0021 048
	47.6-55.6	1 7/8-2 3/16	0363 0021 052
	50.8-58.7	2-2 5/16	0363 0021 055
	54-61.9	2 1/8-2 7/16	0363 0021 058
	57.2-65.1	2 1/4-2 9/16	0363 0021 061
	60.3-68.3	2 3/8-2 11/16	0363 0021 064
	63.5-71.4	2 1/2-2 13/16	0363 0021 068
	66.7-74.6	2 5/8-2 15/16	0363 0021 071
	69.9-77.8	2 3/4-3 1/16	0363 0021 074
	73-81	2 7/8-3 3/16	0363 0021 077
	76.2-84.1	3-3 5/16	0363 0021 080
	79.4-87.3	3 1/8-3 7/16	0363 0021 084
	82.6-90.5	3 1/4-3 9/16	0363 0021 087
	85.7-93.7	3 3/8-3 11/16	0363 0021 090
	88.9-96.8	3 1/2-3 13/16	0363 0021 093
	92.1-100	3 5/8-3 15/16	0363 0021 096
	95.3-103.2	3 3/4-4 1/16	0363 0021 099
	101.6-109.5	4-4 5/16	0363 0021 106
	103.2-111.1	4 1/16-4 3/8	0363 0021 107
	108-115.9	4 1/4-4 9/16	0363 0021 112
114.3-122.2	4 1/2-4 13/16	0363 0021 118	
127-134.9	5-5 1/4	0363 0021 131	
133.4-141.3	5 1/4-5 9/16	0363 0021 137	
139.7-147.6	5 1/2-5 13/16	0363 0021 144	
146.1-154	5 3/4-6 1/16	0363 0021 150	
152.4-160.3	6-6 5/16	0363 0021 156	
158.8-166.7	6 1/4-6 9/16	0363 0021 163	
165.1-173	6 1/2-6 13/16	0363 0021 169	
171.5-179.4	6 3/4-7 1/16	0363 0021 175	
177.8-185.7	7-7 5/16	0363 0021 182	
184.2-192.1	7 1/4-7 9/16	0363 0021 188	
190.5-198.4	7 1/2-7 13/16	0363 0021 195	
196.9-204.8	7 3/4-8 1/16	0363 0021 201	
215.9-223.8	8 1/2-8 13/16	0363 0021 220	

Other diameters available on request



- 1 Bolt**
– New specially designed bolt with integrated spacer and improved performance. The W5 version has a socket head cap bolt
- 2 Reinforced band loops**
– ability to withstand much higher torques
- 3 Mechanically locked closure**
– no welding spots and no contact corrosion
- 4 Bridge**
– hose protection
- 5 Robust band with rounded edges**
– prevents injuries and damage to hoses
- 6 Hollow trunnions**
– reduces the tensile forces on the bolt and the mechanical lock

Heavy-duty clamps for multiple applications

NORMACLAMP® GBS is designed primarily for use in applications where hose clamps must meet stringent requirements. In particular if suction and pressure hoses - complete with plastic or steel inserts and high shore hardness values - are to be connected and attached. They are therefore particularly suitable for use on commercial and special vehicles. Their standout feature is the exceptionally high levels of band tensile force they demonstrate. NORMACLAMP® GBS clamps are also extremely easy to install, whether you're using manual, pneumatic or electrical standard tools.



Advantages at a glance

- Failure torques improved by a factor of two
- Band tensile force levels improved by a factor of three

Applications

- Machine building
- Chemical industry
- Irrigation systems
- Ship manufacturing
- Railway industry
- Agricultural machines
- Building machines
- Engine manufacturing
- Pump and filter
- Mining Industry

Materials

W1	W2	W3	W4	W5
x	x		x	x

Material	Corrosion resistance in salt spray testing
W1	Min. 72 h
W2	Min. 72 h
W4	Min. 240 h
W5	Min. 400 h

NORMACLAMP® GBS						
Band width	Material thickness in mm					
	W1	W2	W4	W5	M	SW
18	0.8	0.6	0.6	0.6	6	8
20	1.0	0.8	0.8	0.8	7	10
25	1.0	1.0	1.0	1.0	8	13
30	1.3	1.0	1.0	1.0	10	17

Band tensile force

The results of numerous series of tests have underlined the technical superiority of NORMACLAMP® GBS products over their competitors:

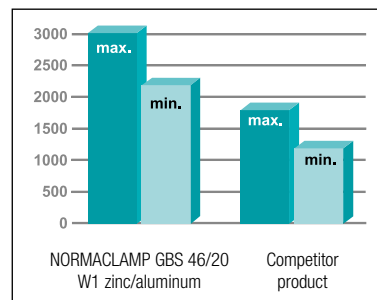


Table of torques

NORMACLAMP® GBS					
Band width	Failure torque (minimum) Nm				Recommended tightening torque Nm
	W1	W2	W4	W5	
18	15	15	15	15	8
20	25	20	20	20	10
25	35	30	30	30	20
30	50	45	45	45	25

NORMACLAMP® GBS RUBBER INSERT			
Band width	Failure torque (minimum) Nm		Recommended tightening torque Nm
	W1	W2	
18	10	10	6
20	15	15	8
25	25	25	18
30	40	40	22

Technical data & Ordering information

NORMACLAMP® GBS HOLLOW TRUNNION							
Width	Designation	Clamping ranges		W1 Product No.	W2 Product No.	W4 Product No.	W5 Product No.
		in mm	in inches				
18	GBS M17-19/18 Sk*	17-19	11/16-3/4	0591 7181 018	0591 7182 018	0591 7184 018	0591 7185 018
	GBS M19-21/18 Sk*	19-21	3/4-13/16	0591 7181 020	0591 7182 020	0591 7184 020	0591 7185 020
	GBS M21-23/18 Sk*	21-23	13/16-15/16	0591 7181 022	0591 7182 022	0591 7184 022	0591 7185 022
	GBS M23-25/18 Sk*	23-25	15/16-1	0591 7181 024	0591 7182 024	0591 7184 024	0591 7185 024
	GBS M25-27/18 Sk	25-27	1-1 1/16	0591 7181 026	0591 7182 026	0591 7184 026	0591 7185 026
	GBS M27-29/18 Sk	27-29	1 1/16-1 1/8	0591 7181 028	0591 7182 028	0591 7184 028	0591 7185 028
	GBS M29-31/18 Sk	29-31	1 1/8-1 1/4	0591 7181 030	0591 7182 030	0591 7184 030	0591 7185 030
	GBS M31-34/18 Sk	31-34	1 1/4-1 5/16	0591 7181 033	0591 7182 033	0591 7184 033	0591 7185 033
	GBS M34-37/18 Sk	34-37	1 5/16-1 7/16	0591 7181 036	0591 7182 036	0591 7184 036	0591 7185 036
	GBS M37-40/18 Sk	37-40	1 7/16-1 9/16	0591 7181 039	0591 7182 039	0591 7184 039	0591 7185 039
GBS M40-43/18 Sk	40-43	1 9/16-1 11/16	0591 7181 042	0591 7182 042	0591 7184 042	0591 7185 042	
20	GBS M43-47/20 Sk	43-47	1 11/16-1 7/8	0591 7201 045	0591 7202 045	0591 7204 045	0591 7205 045
	GBS M47-51/20 Sk	47-51	1 7/8-2	0591 7201 049	0591 7202 049	0591 7204 049	0591 7205 049
	GBS M51-55/20 Sk	51-55	2-2 3/16	0591 7201 053	0591 7202 053	0591 7204 053	0591 7205 053
	GBS M55-59/20 Sk	55-59	2 3/16-2 5/16	0591 7201 057	0591 7202 057	0591 7204 057	0591 7205 057
	GBS M59-63/20 Sk	59-63	2 5/16-2 1/2	0591 7201 061	0591 7202 061	0591 7204 061	0591 7205 061
	GBS M63-68/20 Sk	63-68	2 1/2-2 11/16	0591 7201 066	0591 7202 066	0591 7204 066	0591 7205 066
25	GBS M68-73/25 Sk	68-73	2 11/16-2 7/8	0591 7251 071	0591 7252 071	0591 7254 071	0591 7255 071
	GBS M73-79/25 Sk	73-79	2 7/8-3 1/8	0591 7251 076	0591 7252 076	0591 7254 076	0591 7255 076
	GBS M79-85/25 Sk	79-85	3 1/8-3 3/8	0591 7251 082	0591 7252 082	0591 7254 082	0591 7255 082
	GBS M85-91/25 Sk	85-91	3 3/8-3 9/16	0591 7251 088	0591 7252 088	0591 7254 088	0591 7255 088
	GBS M91-97/25 Sk	91-97	3 9/16-3 13/16	0591 7251 094	0591 7252 094	0591 7254 094	0591 7255 094
	GBS M97-104/25 Sk	97-104	3 13/16-4 1/6	0591 7251 101	0591 7252 101	0591 7254 101	0591 7255 101
	GBS M104-112/25 Sk	104-112	4 1/16-4 7/16	0591 7251 108	0591 7252 108	0591 7254 108	0591 7255 108
	GBS M112-121/25 Sk	112-121	4 7/16-4 3/4	0591 7251 117	0591 7252 117	0591 7254 117	0591 7255 117
	GBS M121-130/25 Sk	121-130	4 3/4-5 1/8	0591 7251 126	0591 7252 126	0591 7254 126	0591 7255 126
	30	GBS M130-140/30 Sk	130-140	5 1/8-5 1/2	0591 7301 135	0591 7302 135	0591 7304 135
GBS M140-150/30 Sk		140-150	5 1/2-5 15/16	0591 7301 145	0591 7302 145	0591 7304 145	0591 7305 145
GBS M150-162/30 Sk		150-162	5 15/16-6 3/8	0591 7301 156	0591 7302 156	0591 7304 156	0591 7305 156
GBS M162-174/30 Sk		162-174	6 3/8-6 7/8	0591 7301 168	0591 7302 168	0591 7304 168	0591 7305 168
GBS M174-187/30 Sk		174-187	6 7/8-7 3/8	0591 7301 181	0591 7302 181	0591 7304 181	0591 7305 181
GBS M187-200/30 Sk		187-200	7 3/8-7 7/8	0591 7301 194	0591 7302 194	0591 7304 194	0591 7305 194
GBS M200-213/30 Sk		200-213	7 7/8-8 3/8	0591 7301 207	0591 7302 207	0591 7304 207	0591 7305 207
GBS M213-226/30 Sk		213-226	8 3/8-8 7/8	0591 7301 220	0591 7302 220	0591 7304 220	0591 7305 220
GBS M226-239/30 Sk		226-239	8 7/8-9 7/16	0591 7301 233	0591 7302 233	0591 7304 233	0591 7305 233
GBS M239-252/30 Sk		239-252	9 7/16-9 15/16	0591 7301 246	0591 7302 246	0591 7304 246	0591 7305 246
GBS M252-265/30 Sk		252-265	9 15/16-10 7/16	0591 7301 259	0591 7302 259	0591 7304 259	0591 7305 259
GBS M265-278/30 Sk		265-278	10 7/16-10 15/16	0591 7301 272	0591 7302 272	0591 7304 272	0591 7305 272
GBS M279-291/30 Sk		279-291	11-11 7/16	0591 7301 285	0591 7302 285	0591 7304 285	0591 7305 285
GBS M292-304/30 Sk		292-304	11 1/2-12	0591 7301 298	0591 7302 298	0591 7304 298	0591 7305 298

These diameters are full trunnions and do not feature a mechanically locked closure, but are instead spot-welded.



Refer to page 187.

Solid trunnions – STC



To suit the requirements of all markets, NORMACLAMP® GBS is also available with solid trunnions.

Advantages at a glance

- Strong robustness

Materials

- W1, W4

NORMACLAMP® GBS STC

Width	Description	Clamping range		W1 Product No.	W4 Product No.
		in mm	in inches		
18	GBS M17-19/18 STC	17 - 19	11/16-3/4	0591 7001 018	0591 7009 018
	GBS M19-21/18 STC	19 - 21	3/4-13/16	0591 7001 020	0591 7009 020
	GBS M21-23/18 STC	21 - 23	13/16-15/16	0591 7001 022	0591 7009 022
	GBS M23-25/18 STC	23 - 25	15/16-1	0591 7001 024	0591 7009 024
	GBS M25-27/18 STC	25 - 27	1-1 1/16	0591 7001 026	0591 7009 026
	GBS M27-29/18 STC	27 - 29	1 1/16-1 1/8	0591 7001 028	0591 7009 028
	GBS M29-31/18 STC	29 - 31	1 1/8-1 1/4	0591 7001 030	0591 7009 030
	GBS M31-34/18 STC	31 - 34	1 1/4-1 5/16	0591 7001 033	0591 7009 033
	GBS M34-37/18 STC	34 - 37	1 5/16-1 7/16	0591 7001 036	0591 7009 036
	GBS M37-40/18 STC	37 - 40	1 7/16-1 9/16	0591 7001 039	0591 7009 039
GBS M40-43/18 STC	40 - 43	1 9/16-1 11/16	0591 7001 042	0591 7009 042	
20	GBS M43-47/20 STC	43 - 47	1 11/16-2 7/8	0591 7002 045	0591 7010 045
	GBS M47-51/20 STC	47 - 51	1 7/8-2	0591 7002 049	0591 7010 049
	GBS M51-55/20 STC	51 - 55	2-2 3/16	0591 7002 053	0591 7010 053
	GBS M55-59/20 STC	55 - 59	2 3/16-2 5/16	0591 7002 057	0591 7010 057
	GBS M59-63/20 STC	59 - 63	2 5/16-2 1/2	0591 7002 061	0591 7010 061
	GBS M63-68/20 STC	63 - 68	2 1/2-2 11/16	0591 7002 066	0591 7010 066
25	GBS M68-73/25 STC	68 - 63	2 11/16-2 7/8	0591 7003 071	0591 7011 071
	GBS M73-79/25 STC	73 - 79	2 7/8-3 1/8	0591 7003 076	0591 7011 076
	GBS M79-85/25 STC	79 - 85	3 1/8-3 3/8	0591 7003 082	0591 7011 082
	GBS M85-91/25 STC	85 - 91	3 3/8-3 9/16	0591 7003 088	0591 7011 088
	GBS M91-97/25 STC	91 - 97	3 9/16-3 13/16	0591 7003 094	0591 7011 094
	GBS M97-104/25 STC	97 - 104	3 13/16-4 1/6	0591 7003 101	0591 7011 101
	GBS M104-112/25 STC	104 - 112	4 1/16-4 7/16	0591 7003 108	0591 7011 108
	GBS M112-121/25 STC	112 - 121	4 7/16-4 3/4	0591 7003 117	0591 7011 117
GBS M121-130/25 STC	121 - 130	4 3/4-5 1/8	0591 7003 126	0591 7011 126	
30	GBS M130-140/30 STC	130 - 140	5 1/8-5 1/2	0591 7004 135	0591 7012 135
	GBS M140-150/30 STC	140 - 150	5 1/2-5 15/16	0591 7004 145	0591 7012 145
	GBS M150-162/30 STC	150 - 162	5 15/16-6 3/8	0591 7004 156	0591 7012 156
	GBS M162-174/30 STC	162 - 174	6 3/8-6 7/8	0591 7004 168	0591 7012 168
	GBS M174-187/30 STC	174 - 187	6 7/8-7 3/8	0591 7004 181	0591 7012 181
	GBS M187-200/30 STC	187 - 200	7 3/8-7 7/8	0591 7004 194	0591 7012 194
	GBS M200-213/30 STC	200 - 213	7 7/8-8 3/8	0591 7004 207	0591 7012 207
	GBS M213-226/30 STC	213 - 226	8 3/8-8 7/8	0591 7004 220	0591 7012 220
	GBS M226-239/30 STC	226 - 239	8 7/8-9 7/16	0591 7004 233	0591 7012 233
	GBS M239-252/30 STC	239 - 252	9 7/16-9 15/16	0591 7004 246	0591 7012 246
	GBS M252-265/30 STC	252 - 265	9 15/16-10 7/16	0591 7004 259	0591 7012 259
	GBS M265-278/30 STC	265 - 278	10 7/16-10 15/16	0591 7004 272	0591 7012 272
	GBS M278-291/30 STC	278 - 291	10 15/16-11 7/16	0591 7004 285	0591 7012 285
	GBS M291-304/30 STC	291 - 304	11 7/16-12	0591 7004 298	0591 7012 298
GBS M304-317/30 STC	304 - 317	12-12 1/2	0591 7004 311	0591 7012 311	
GBS M317-330/30 STC	317 - 330	12 1/2-13	0591 7004 324	0591 7012 324	

QRC closure



NORMACLAMP® GBS is also available with a Quick Release Closure. The bolt on the closure is easy to release, ensuring straightforward installation and removal.

Advantages at a glance

- Easy to install

Materials

- W1, W2

NORMACLAMP® GBS QRC					
Width	Description	Clamping range		W1 Product No.	W2 Product No.
		in mm	in inches		
18	GBS M17-19/18 Zy QRC*	17 - 19	11/16-3/4	0592 7181 018	0592 7182 018
	GBS M19-21/18 Zy QRC*	19 - 21	3/4-13/16	0592 7181 020	0592 7182 020
	GBS M21-23/18 Zy QRC*	21 - 23	13/16-15/16	0592 7181 022	0592 7182 022
	GBS M23-25/18 Zy QRC*	23 - 25	15/16-1	0592 7181 024	0592 7182 024
	GBS M25-27/18 Zy QRC	25 - 27	1-1 1/16	0592 7181 026	0592 7182 026
	GBS M27-29/18 Zy QRC	27 - 29	1 1/16-1 1/8	0592 7181 028	0592 7182 028
	GBS M29-31/18 Zy QRC	29 - 31	1 1/8-1 1/4	0592 7181 030	0592 7182 030
	GBS M31-34/18 Zy QRC	31 - 34	1 1/4-1 5/16	0592 7181 033	0592 7182 033
	GBS M34-37/18 Zy QRC	34 - 37	1 5/16-1 7/16	0592 7181 036	0592 7182 036
	GBS M37-40/18 Zy QRC	37 - 40	1 7/16-1 9/16	0592 7181 039	0592 7182 039
GBS M40-43/18 Zy QRC	40 - 43	1 9/16-1 11/16	0592 7181 042	0592 7182 042	
20	GBS M43-47/20 Zy QRC	43 - 47	1 11/16-1 7/8	0592 7201 045	0592 7202 045
	GBS M47-51/20 Zy QRC	47 - 51	1 7/8-2	0592 7201 049	0592 7202 049
	GBS M51-55/20 Zy QRC	51 - 55	2-2 3/16	0592 7201 053	0592 7202 053
	GBS M55-59/20 Zy QRC	55 - 59	2 3/16-2 5/16	0592 7201 057	0592 7202 057
	GBS M59-63/20 Zy QRC	59 - 63	2 5/16-2 1/2	0592 7201 061	0592 7202 061
	GBS M63-68/20 Zy QRC	63 - 68	2 1/2-2 11/16	0592 7201 066	0592 7202 066
25	GBS M68-73/25 Zy QRC	68 - 73	2 11/16-2 7/8	0592 7251 071	0592 7252 071
	GBS M73-79/25 Zy QRC	73 - 79	2 7/8-3 1/8	0592 7251 076	0592 7252 076
	GBS M79-85/25 Zy QRC	79 - 85	3 1/8-3 3/8	0592 7251 082	0592 7252 082
	GBS M85-91/25 Zy QRC	85 - 91	3 3/8-3 9/16	0592 7251 088	0592 7252 088
	GBS M91-97/25 Zy QRC	91 - 97	3 9/16-3 13/16	0592 7251 094	0592 7252 094
	GBS M97-104/25 Zy QRC	97 - 104	3 13/16-4 1/6	0592 7251 101	0592 7252 101
	GBS M104-112/25 Zy QRC	104 - 112	4 1/16-4 7/16	0592 7251 108	0592 7252 108
	GBS M112-121/25 Zy QRC	112 - 121	4 7/16-4 3/4	0592 7251 117	0592 7252 117
GBS M121-130/25 Zy QRC	121 - 130	4 3/4-5 1/8	0592 7251 126	0592 7252 126	
30	GBS M130-140/30 Zy QRC	130 - 140	5 1/8-5 1/2	0592 7301 135	0592 7302 135
	GBS M140-150/30 Zy QRC	140 - 150	5 1/2-5 15/16	0592 7301 145	0592 7302 145
	GBS M150-162/30 Zy QRC	150 - 162	5 15/16-6 3/8	0592 7301 156	0592 7302 156
	GBS M162-174/30 Zy QRC	162 - 174	6 3/8-6 7/8	0592 7301 168	0592 7302 168
	GBS M174-187/30 Zy QRC	174 - 187	6 7/8-7 3/8	0592 7301 181	0592 7302 181
	GBS M187-200/30 Zy QRC	187 - 200	7 3/8-7 7/8	0592 7301 194	0592 7302 194
	GBS M200-213/30 Zy QRC	200 - 213	7 7/8-8 3/8	0592 7301 207	0592 7302 207
	GBS M213-226/30 Zy QRC	213 - 226	8 3/8-8 7/8	0592 7301 220	0592 7302 220
	GBS M226-239/30 Zy QRC	226 - 239	8 7/8-9 7/16	0592 7301 233	0592 7302 233
	GBS M239-252/30 Zy QRC	239 - 252	9 7/16-9 15/16	0592 7301 246	0592 7302 246

These diameters do not feature a mechanically locked closure, but are instead spot-welded.

Multi-parts



NORMACLAMP® GBS is also available in a multi-part version for bigger diameters.

Advantages at a glance

- Suitable for big diameter hoses

Materials

- W1, W2, W4, W5

NORMACLAMP® GBS MULTI-PARTS

Width	Description	Clamping range		W1 Product No.	W2 Product No.	W4 Product No.	W5 Product No.
		in mm	in inches				
18	GBS M59-67/18 SK 2T	59-67	2 5/16-2 5/8	0591 7191 063	0591 7192 063	0591 7194 063	0591 7195 063
	GBS M67-75/18 SK 2T	67-75	2 5/8-2 15/16	0591 7191 071	0591 7192 071	0591 7194 071	0591 7195 071
20	GBS M67-75/20 SK 2T	67-75	2 5/8-2 15/16	0591 7221 071	0591 7222 071	0591 7224 071	0591 7225 071
	GBS M75-83/20 SK 2T	75-83	2 15/16-3 1/4	0591 7221 079	0591 7222 079	0591 7224 079	0591 7225 079
	GBS M83-91/20 SK 2T	83-91	3 1/4-3 9/16	0591 7221 087	0591 7222 087	0591 7224 087	0591 7225 087
25	GBS M88-100/25 SK 2T	88-100	3 9/16-4	0591 7271 094	0591 7272 094	0591 7274 094	0591 7275 094
	GBS M100-116/25 SK 2T	100-116	3 7/16-4 9/16	0591 7271 108	0591 7272 108	0591 7274 108	0591 7275 108
	GBS M116-136/25 SK 2T	116-136	4 9/16-5 3/8	0591 7271 126	0591 7272 126	0591 7274 126	0591 7275 126
	GBS M136-156/25 SK 2T	136-156	5 3/8-6 1/8	0591 7271 146	0591 7272 146	0591 7274 146	0591 7275 146
30	GBS M156-176/25 SK 2T	156-176	6 1/8-6 15/16	0591 7271 168	0591 7272 168	0591 7274 168	0591 7275 168
	GBS M125-145/30 SK 2T	125-145	4 15/16-5 11/16	0591 7321 135	0591 7322 135	0591 7324 135	0591 7325 135
	GBS M145-168/30 SK 2T	145-168	5 11/16-6 5/8	0591 7321 156	0591 7322 156	0591 7324 156	0591 7325 156
	GBS M168-193/30 SK 2T	168-193	6 5/8-7 5/8	0591 7321 181	0591 7322 181	0591 7324 181	0591 7325 181
	GBS M193-220/30 SK 2T	193-220	7 5/8-8 11/16	0591 7321 207	0591 7322 207	0591 7324 207	0591 7325 207
	GBS M220-245/30 SK 2T	220-245	8 11/16-9 5/8	0591 7321 233	0591 7322 233	0591 7324 233	0591 7325 233
	GBS M245-270/30 SK 2T	245-270	9 5/8-10 5/8	0591 7321 258	0591 7322 258	0591 7324 258	0591 7325 258
	GBS M270-295/30 SK 2T	270-295	10 5/8-11 5/8	0591 7321 283	0591 7322 283	0591 7324 283	0591 7325 283
	GBS M295-320/30 SK 2T	295-320	11 5/8-12 5/8	0591 7321 308	0591 7322 308	0591 7324 308	0591 7325 308
	GBS M320-345/30 SK 2T	320-345	12 5/8-13 9/16	0591 7321 333	0591 7322 333	0591 7324 333	0591 7325 333

Rubber insert

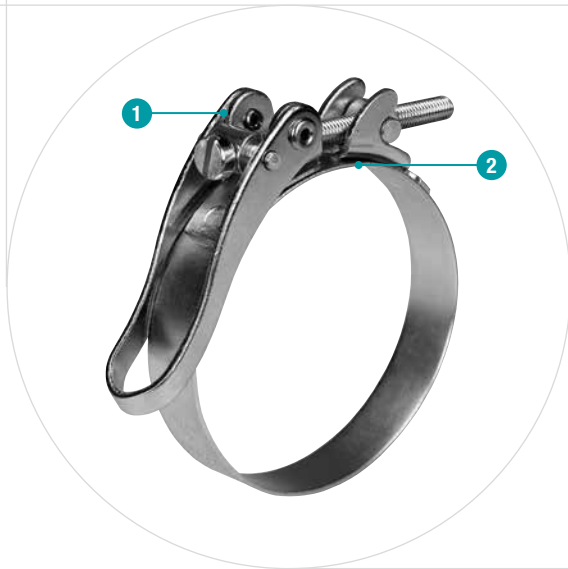


NORMACLAMP® GBS clamps can be delivered with a rubber insert for protecting against vibrations and creeping water, but also for sound absorption. For more information, please contact us.

Ordering information

When submitting requests and orders, please specify the data in the following manner:

	1. Type	2. Clamping range	3. Band width	4. Material	5. Parts
Example	GBS RUBBER-INSERT	43-47	20	W1	1-part



- 1 Quick close and release**
 - Secure over-center lever for manual opening and closing without the need for installation tools
- 2 Bridge**
 - Optimum hose protection

Quick-release clamps

NORMACLAMP® SVS and NORMACLAMP® SVSP clamps are secure, flexible joining elements designed for applications where joints need to be closed and released frequently and quickly, such as filtering and filling systems or food industry pipeline systems that are continually being cleaned.

Advantages at a glance

- Closure can be opened and closed easily by hand
- No installation tools required

Applications

- Machine building
- Chemical industry
- Food and beverage industry
- Railway industry
- Building machines
- Pump and filter

Materials

W1	W2	W3	W4	W5
			x	

Material	Corrosion resistance in salt spray testing
W4	Min. 240 h

Technical data

Quick-release hose clamps (SVS)							
Band width	Minimum \emptyset	Maximum \emptyset	Material	Bolts			Closing force N
				W4	(0e)	Zy	
15	80	500	0.6	(•)	•	6	80
20	80	500	0.8	(•)	•	6	80
25	80	500	1.0	(•)	•	6	80

Technical data & Ordering information

NORMACLAMP® SVS			
Diameter in mm	Material W4 Product No.		
	Band width		
	15 mm	20 mm	25 mm
80 - 90	0565 0154 ...	0565 0204 ...	0565 0254 ...
up to 100	0565 0154 ...	0565 0204 ...	0565 0254 ...
up to 110	0565 0154 ...	0565 0204 ...	0565 0254 ...
up to 120	0565 0154 ...	0565 0204 ...	0565 0254 ...
up to 130	0565 0154 ...	0565 0204 ...	0565 0254 ...
up to 140	0565 0154 ...	0565 0204 ...	0565 0254 ...
up to 150	0565 0154 ...	0565 0204 ...	0565 0254 ...
up to 160	0565 0154 ...	0565 0204 ...	0565 0254 ...
up to 170	0565 0154 ...	0565 0204 ...	0565 0254 ...
up to 180	0565 0154 ...	0565 0204 ...	0565 0254 ...
up to 190	0565 0154 ...	0565 0204 ...	0565 0254 ...
up to 200	0565 0154 ...	0565 0204 ...	0565 0254 ...
up to 210	0565 0154 ...	0565 0204 ...	0565 0254 ...
up to 220	0565 0154 ...	0565 0204 ...	0565 0254 ...
up to 230	0565 0154 ...	0565 0204 ...	0565 0254 ...
up to 240	0565 0154 ...	0565 0204 ...	0565 0254 ...
up to 250	0565 0154 ...	0565 0204 ...	0565 0254 ...
up to 260	0565 0154 ...	0565 0204 ...	0565 0254 ...
up to 270	0565 0154 ...	0565 0204 ...	0565 0254 ...
up to 280	0565 0154 ...	0565 0204 ...	0565 0254 ...
up to 290	0565 0154 ...	0565 0204 ...	0565 0254 ...
up to 300	0565 0154 ...	0565 0204 ...	0565 0254 ...
up to 310	0565 0154 ...	0565 0204 ...	0565 0254 ...
up to 320	0565 0154 ...	0565 0204 ...	0565 0254 ...
up to 330	0565 0154 ...	0565 0204 ...	0565 0254 ...
up to 340	0565 0154 ...	0565 0204 ...	0565 0254 ...
up to 350	0565 0154 ...	0565 0204 ...	0565 0254 ...
up to 360	0565 0154 ...	0565 0204 ...	0565 0254 ...
up to 370	0565 0154 ...	0565 0204 ...	0565 0254 ...
up to 380	0565 0154 ...	0565 0204 ...	0565 0254 ...
up to 390	0565 0154 ...	0565 0204 ...	0565 0254 ...
up to 400	0565 0154 ...	0565 0204 ...	0565 0254 ...
up to 410	0565 0154 ...	0565 0204 ...	0565 0254 ...
up to 420	0565 0154 ...	0565 0204 ...	0565 0254 ...
up to 430	0565 0154 ...	0565 0204 ...	0565 0254 ...
up to 440	0565 0154 ...	0565 0204 ...	0565 0254 ...
up to 450	0565 0154 ...	0565 0204 ...	0565 0254 ...
up to 460	0565 0154 ...	0565 0204 ...	0565 0254 ...
up to 470	0565 0154 ...	0565 0204 ...	0565 0254 ...
up to 480	0565 0154 ...	0565 0204 ...	0565 0254 ...
up to 490	0565 0154 ...	0565 0204 ...	0565 0254 ...
up to 500	0565 0154 ...	0565 0204 ...	0565 0254 ...

... = Ø without decimals in mm

SVS P



NORMACLAMP SVS clamps feature a bridge, which is ideal for clamping a hose type connection. The SVS P clamp has no bridge.

Advantages at a glance

- As it has no bridge, there is a possibility of having a profile welded onto it

Materials

- W4

NORMACLAMP® SVS P			
Diameter in mm	Material W4 Product No.		
	Band width		
	15 mm	20 mm	25 mm
80 - 90	0566 0154 ...	0566 0204 ...	0566 0254 ...
up to 100	0566 0154 ...	0566 0204 ...	0566 0254 ...
up to 110	0566 0154 ...	0566 0204 ...	0566 0254 ...
up to 120	0566 0154 ...	0566 0204 ...	0566 0254 ...
up to 130	0566 0154 ...	0566 0204 ...	0566 0254 ...
up to 140	0566 0154 ...	0566 0204 ...	0566 0254 ...
up to 150	0566 0154 ...	0566 0204 ...	0566 0254 ...
up to 160	0566 0154 ...	0566 0204 ...	0566 0254 ...
up to 170	0566 0154 ...	0566 0204 ...	0566 0254 ...
up to 180	0566 0154 ...	0566 0204 ...	0566 0254 ...
up to 190	0566 0154 ...	0566 0204 ...	0566 0254 ...
up to 200	0566 0154 ...	0566 0204 ...	0566 0254 ...
up to 210	0566 0154 ...	0566 0204 ...	0566 0254 ...
up to 220	0566 0154 ...	0566 0204 ...	0566 0254 ...
up to 230	0566 0154 ...	0566 0204 ...	0566 0254 ...
up to 240	0566 0154 ...	0566 0204 ...	0566 0254 ...
up to 250	0566 0154 ...	0566 0204 ...	0566 0254 ...
up to 260	0566 0154 ...	0566 0204 ...	0566 0254 ...
up to 270	0566 0154 ...	0566 0204 ...	0566 0254 ...
up to 280	0566 0154 ...	0566 0204 ...	0566 0254 ...
up to 290	0566 0154 ...	0566 0204 ...	0566 0254 ...
up to 300	0566 0154 ...	0566 0204 ...	0566 0254 ...
up to 310	0566 0154 ...	0566 0204 ...	0566 0254 ...
up to 320	0566 0154 ...	0566 0204 ...	0566 0254 ...
up to 330	0566 0154 ...	0566 0204 ...	0566 0254 ...
up to 340	0566 0154 ...	0566 0204 ...	0566 0254 ...
up to 350	0566 0154 ...	0566 0204 ...	0566 0254 ...
up to 360	0566 0154 ...	0566 0204 ...	0566 0254 ...
up to 370	0566 0154 ...	0566 0204 ...	0566 0254 ...
up to 380	0566 0154 ...	0566 0204 ...	0566 0254 ...
up to 390	0566 0154 ...	0566 0204 ...	0566 0254 ...
up to 400	0566 0154 ...	0566 0204 ...	0566 0254 ...
up to 410	0566 0154 ...	0566 0204 ...	0566 0254 ...
up to 420	0566 0154 ...	0566 0204 ...	0566 0254 ...
up to 430	0566 0154 ...	0566 0204 ...	0566 0254 ...
up to 440	0566 0154 ...	0566 0204 ...	0566 0254 ...
up to 450	0566 0154 ...	0566 0204 ...	0566 0254 ...
up to 460	0566 0154 ...	0566 0204 ...	0566 0254 ...
up to 470	0566 0154 ...	0566 0204 ...	0566 0254 ...
up to 480	0566 0154 ...	0566 0204 ...	0566 0254 ...
up to 490	0566 0154 ...	0566 0204 ...	0566 0254 ...
up to 500	0566 0154 ...	0566 0204 ...	0566 0254 ...

... = Ø without decimals in mm

Eyelet bolt



If requested in the order, and assuming that an appropriate quantity is ordered, the closure can be fitted with an eyelet bolt as an alternative.

Advantages at a glance

- Eyelet bolt suitable for light duty series

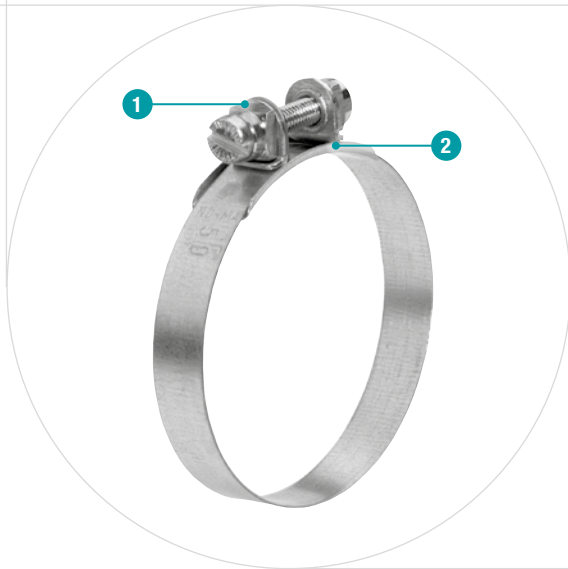
Materials

- W4

NORMACLAMP® SVS EYELET BOLT

Diameter in mm	Material W4 Product No.		
	Band width		
	15 mm	20 mm	25 mm
80 - 90	0565 1154 ...	0565 1204 ...	0565 1254 ...
up to 100	0565 1154 ...	0565 1204 ...	0565 1254 ...
up to 110	0565 1154 ...	0565 1204 ...	0565 1254 ...
up to 120	0565 1154 ...	0565 1204 ...	0565 1254 ...
up to 130	0565 1154 ...	0565 1204 ...	0565 1254 ...
up to 140	0565 1154 ...	0565 1204 ...	0565 1254 ...
up to 150	0565 1154 ...	0565 1204 ...	0565 1254 ...
up to 160	0565 1154 ...	0565 1204 ...	0565 1254 ...
up to 170	0565 1154 ...	0565 1204 ...	0565 1254 ...
up to 180	0565 1154 ...	0565 1204 ...	0565 1254 ...
up to 190	0565 1154 ...	0565 1204 ...	0565 1254 ...
up to 200	0565 1154 ...	0565 1204 ...	0565 1254 ...
up to 210	0565 1154 ...	0565 1204 ...	0565 1254 ...
up to 220	0565 1154 ...	0565 1204 ...	0565 1254 ...
up to 230	0565 1154 ...	0565 1204 ...	0565 1254 ...
up to 240	0565 1154 ...	0565 1204 ...	0565 1254 ...
up to 250	0565 1154 ...	0565 1204 ...	0565 1254 ...
up to 260	0565 1154 ...	0565 1204 ...	0565 1254 ...
up to 270	0565 1154 ...	0565 1204 ...	0565 1254 ...
up to 280	0565 1154 ...	0565 1204 ...	0565 1254 ...
up to 290	0565 1154 ...	0565 1204 ...	0565 1254 ...
up to 300	0565 1154 ...	0565 1204 ...	0565 1254 ...
up to 310	0565 1154 ...	0565 1204 ...	0565 1254 ...
up to 320	0565 1154 ...	0565 1204 ...	0565 1254 ...
up to 330	0565 1154 ...	0565 1204 ...	0565 1254 ...
up to 340	0565 1154 ...	0565 1204 ...	0565 1254 ...
up to 350	0565 1154 ...	0565 1204 ...	0565 1254 ...
up to 360	0565 1154 ...	0565 1204 ...	0565 1254 ...
up to 370	0565 1154 ...	0565 1204 ...	0565 1254 ...
up to 380	0565 1154 ...	0565 1204 ...	0565 1254 ...
up to 390	0565 1154 ...	0565 1204 ...	0565 1254 ...
up to 400	0565 1154 ...	0565 1204 ...	0565 1254 ...
up to 410	0565 1154 ...	0565 1204 ...	0565 1254 ...
up to 420	0565 1154 ...	0565 1204 ...	0565 1254 ...
up to 430	0565 1154 ...	0565 1204 ...	0565 1254 ...
up to 440	0565 1154 ...	0565 1204 ...	0565 1254 ...
up to 450	0565 1154 ...	0565 1204 ...	0565 1254 ...
up to 460	0565 1154 ...	0565 1204 ...	0565 1254 ...
up to 470	0565 1154 ...	0565 1204 ...	0565 1254 ...
up to 480	0565 1154 ...	0565 1204 ...	0565 1254 ...
up to 490	0565 1154 ...	0565 1204 ...	0565 1254 ...
up to 500	0565 1154 ...	0565 1204 ...	0565 1254 ...

... = Ø without decimals in mm



- 1 Powerful clamping brackets structure**
 - high level of clamping force
 - excellent sealing properties
- 2 Bridge**
 - optimum hose protection

DIN 3016, DIN 3017

Thanks to their robust clamping brackets structure featuring metric bolts, NORMACLAMP® S/SP clamps provide a high level of clamping force. The two-part version is recommended for exceptionally high pressure and tensile loads.



Advantages at a glance

- High level of clamping force
- Even contact pressure
- Elbow fittings, brackets or lugs can be attached
- Clamps can be fitted with a rubber profile in order to absorb vibrations and protect against the ingress of creeping water

Applications

- Machine building
- Chemical industry
- Irrigation systems
- Ship manufacturing
- Railway industry
- Agricultural machines
- Building machines
- Engine manufacturing
- Pump and filter

Materials

W1	W2	W3	W4	W5
x			x*	x

*Only for the 30 mm band width

Material	Corrosion resistance in salt spray testing
W1	Min. 72 h
W5	Min. 400 h

NORMACLAMP® S/SP					
Band width b ₁	Minimum Ø in mm	Material thickness in mm			
		S		SP	
		W1	W5	W1	W5
5	5	0.2	–	0.2	–
7	6	0.3/0.4	0.4	0.4	0.4
9	9	0.4	0.4	0.6	0.4
12	12	0.5	0.5	0.7	0.5
15	20	0.6	0.6	0.8	0.6
20	25	1.0	0.8	(up to ø 47) 1.0 (from ø 48) 1.25	0.8
25	50**	1.25	1.0	1.25/1.5	1

Bolts

NORMACLAMP® S/SP			
Band width mm	Zy	Sz	Sk
5	M 2x12		
7	M 3x16		
9	M 4x22	M 4 x 20	
12		M 5x25	
15		M 6x30	
20		M 8x40	
25			M 10x45

Static torques

NORMACLAMP® S/SP		
Band width b ₁ mm	Static tightening torque Nm	Static test torque Nm
	max.	
7	0.5	0.6
9	1.2	1.5
12	1.5	1.8
15	4	4.8
20	12	14.5
25	30	36

Static torques according to DIN 3017-2

Technical data & Ordering information

NORMACLAMP® S															
Clamping diameter, mm	W1 Product No.								W4 Product No.	W5 Product No.					
	Band width								Band width	Band width					
	5 mm Zy	7 mm Zy	9 mm Zy	12 mm Sz	15 mm Sz	20 mm Sz	25 mm Sz	30 mm Sz	30 mm Sz	7 mm Zy	9 mm Zy	12 mm Sz	15 mm Sz	20 mm Sz	25 mm Sz
up to 9	0100 8980 ...														
up to 10		0110 8980 ...	0120 8980 ...							0110 0700 ...	0120 0700 ...				
from 15			0120 8980 ...	0130 0005 ...	0140 0000 ...						0120 0700 ...	0130 0705 ...	0140 0700 ...		
up to 20			0120 8980 ...	0130 0005 ...	0140 0000 ...						0120 0700 ...	0130 0705 ...	0140 0700 ...		
up to 28			0120 8980 ...	0130 0005 ...	0140 0000 ...						0120 0700 ...	0130 0705 ...	0140 0700 ...		
up to 30			0120 8980 ...		0140 0000 ...						0120 0700 ...		0140 0700 ...		
from 36			0120 8980 ...		0140 0000 ...	0150 0000 ...					0120 0700 ...		0140 0700 ...	0150 0700 ...	
up to 40			0120 8980 ...		0140 0000 ...	0150 0000 ...					0120 0700 ...		0140 0700 ...	0150 0700 ...	
up to 50			0120 8980 ...		0140 0000 ...	0150 0000 ...	0160 0000 ...				0120 0700 ...		0140 0700 ...	0150 0700 ...	0160 0700 ...
up to 60			0120 8980 ...		0140 0000 ...	0150 0000 ...	0160 0000 ...				0120 0700 ...		0140 0700 ...	0150 0700 ...	0160 0700 ...
up to 70			0120 8980 ...		0140 0000 ...	0150 0000 ...	0160 0000 ...				0120 0700 ...		0140 0700 ...	0150 0700 ...	0160 0700 ...
up to 75			0120 8980 ...		0140 0000 ...	0150 0000 ...	0160 0000 ...	0180 0000 ...	0180 0700 ...		0120 0700 ...		0140 0700 ...	0150 0700 ...	0160 0700 ...
up to 80					0140 0000 ...	0150 0000 ...	0160 0000 ...	0180 0000 ...	0180 0700 ...				0140 0700 ...	0150 0700 ...	0160 0700 ...
up to 90					0140 0000 ...	0150 0000 ...	0160 0000 ...	0180 0000 ...	0180 0700 ...				0140 0700 ...	0150 0700 ...	0160 0700 ...
up to 100					0140 0000 ...	0150 0000 ...	0160 0000 ...	0180 0000 ...	0180 0700 ...				0140 0700 ...	0150 0700 ...	0160 0700 ...
up to 110						0150 0000 ...	0160 0000 ...	0180 0000 ...	0180 0700 ...					0150 0700 ...	0160 0700 ...
up to 120						0150 0000 ...	0160 0000 ...	0180 0000 ...	0180 0700 ...					0150 0700 ...	0160 0700 ...
up to 130						0150 0000 ...		0180 0000 ...	0180 0700 ...					0150 0700 ...	
up to 140						0150 0000 ...		0180 0000 ...	0180 0700 ...					0150 0700 ...	
up to 150						0150 0000 ...		0180 0000 ...	0180 0700 ...					0150 0700 ...	
up to 160						0150 0000 ...		0180 0000 ...	0180 0700 ...					0150 0700 ...	
up to 170						0150 0000 ...		0180 0000 ...	0180 0700 ...					0150 0700 ...	
up to 180						0150 0000 ...		0180 0000 ...	0180 0700 ...					0150 0700 ...	
up to 190						0150 0000 ...		0180 0000 ...	0180 0700 ...					0150 0700 ...	
up to 200						0150 0000 ...		0180 0000 ...	0180 0700 ...					0150 0700 ...	

... = 0 without decimals in mm

SP Simple



NORMACLAMP® SP Simple is suitable for attaching rubber and plastic hoses as well as rubber sleeves to pipe ends or hose spigots. This clamp can be used for clamping containers, pipes and cables.

Materials

W1	W2	W3	W4	W5
x				x*

*On request

SP Double



NORMACLAMP® SP Double enables larger diameters to be clamped easily thanks to its multi-part design.

Materials

W1	W2	W3	W4	W5
x				x*

*On request

SPGU



NORMACLAMP® SPGU has a rubber profile that protects against vibrations and creeping water. It is also sound-absorbent and protects against contact corrosion.

Materials

W1	W2	W3	W4	W5
x				x*

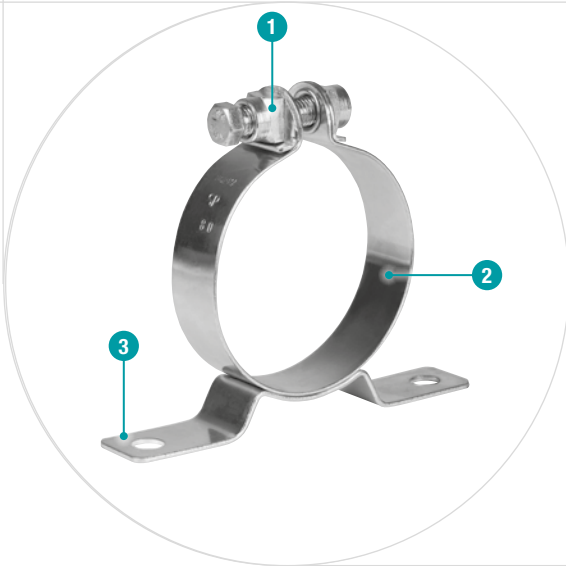
*On request

Ordering information

NORMACLAMP® SP SPGU		
Material	SP	SPGU
W1	0181 0000 ...	0181 9000 ...
W4	0181 0700 ...	0181 9700 ...

... = Ø without decimals in mm





- 1 Powerful clamping brackets structure**
– secure grip
- 2 Robust band with rounded edges**
– prevents injuries and damage to hoses
- 3 Sturdy bracket**
– secure retention

Retaining clamps with brackets

NORMAFIX® HMK retaining clamps with brackets are used when high mechanical force is needed for retaining containers or pipes on ceilings and walls as well as in machine building and plant construction applications.

Standard design

This version features an “open” bracket, making it suitable for all applications in which relatively light structures are being retained and

which are subject to low mechanical loads. The standard version of the retaining clamps is available in one or two parts, and with band widths of 15, 20 and 25 mm.

These clamps can be fitted with a rubber profile for shock absorption purposes. The rubber profile simultaneously protects against the ingress of creeping water.

Advantages at a glance

- For high mechanical force
- Stable construction
- Chrome 6 free surface

Applications

- Machine building
- Chemical industry
- Irrigation systems
- Ship manufacturing
- Food and beverage industry
- Railway industry
- Agricultural machines
- Building machines
- Engine manufacturing
- Pump and filter
- Mining industry

Materials

W1	W2	W3	W4	W5
x			x	x

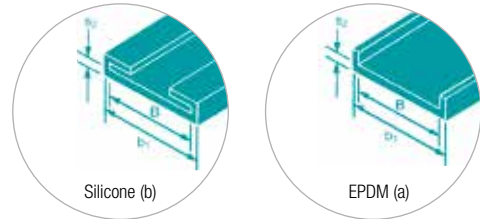
Rubber profiles

The rubber profiles are available in EPDM (type a) and silicone (type b) material versions.

- B = band width of clamp
- b₁ = width in mm
- s₂ = material thickness in mm

All rubber profiles are installed at the factory, i.e., the clamps concerned are supplied ready for use.

When submitting requests/orders for NORMAFIX® HMK retaining clamps with brackets, please specify which rubber profile you require.



B	b ₁	s ₂
15	18.5	1.5
20	25	2.0
25	31	3.0
30	36	3.0

Technical data & Ordering information



NORMAFIX® HMK (standard design)

Band width in mm	Designation	Min. ø in mm	Min. ø in in.	Bolts			d in mm	Rubber profile		s in mm		Part Group
				Sz	Sk	Dimensions		Silicone	EPDM	W1	W5	
15	HMK STANDARD 25/15	25	1	X		M6 x 30	6.5	X	X	0.8	0.6	1416
20	HMK STANDARD 30/20	30	1 3/16	X		M8 x 40	8.5	X	X	1.0-1.5	0.8	1516
25	HMK STANDARD 50/25	50	2		X	M10 x 45	11	X	X	1.5	1.0	1616

Ordering information

When submitting requests and orders, please specify the data in the following manner:

	1. Type	2. Parts	3. Diameter	4. Band width	5. Bolt	6. Material
Example	HMK STANDARD	1616	50/	25	SK	W1

Single-parts



Thanks to its structure the NORMACLAMP® HMK single-part is suitable for use with even high mechanical loads and for retaining extremely heavy pipes and connectors.

Advantages at a glance

- Stable construction
- Chrome 6 free surface
- EPDM Rubber profile

Materials

W1	W2	W3	W4	W5
x			x	

Two-parts



In this version, the ends of the brackets are folded back and spot-welded onto the band. Thanks to its structure the NORMACLAMP® HMK two-parts is suitable for use with even high mechanical loads and for retaining extremely heavy pipes and connectors.

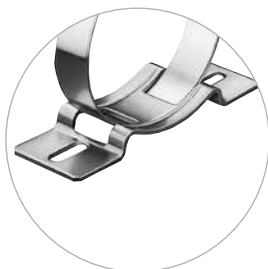
Advantages at a glance

- Stable construction
- Chrome 6 free surface
- EPDM Rubber profile
- Two-parts clamp for bigger clamping range
- Suitable for larger hoses

Materials

W1	W2	W3	W4	W5
x			x	

K1



These are prefabricated brackets which you can use to transform NORMACLAMP® standard clamps (types GBS, HD, SP and TORRO) into retaining clamps with brackets in no time at all. Just open the standard clamp, guide the band through the bracket slot, and that's all there is to it.

Advantages at a glance

- Suitable for many clamp versions
- Easy to use

Materials

W1	W2	W3	W4	W5
x				