

BEAVER PUSH AND GEARED GIRDER TROLLEYS



Beaver Push and Geared Girder Trolleys

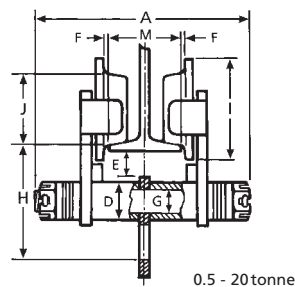
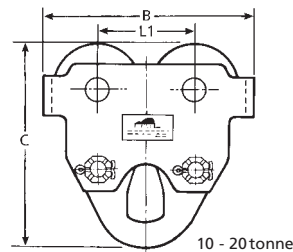
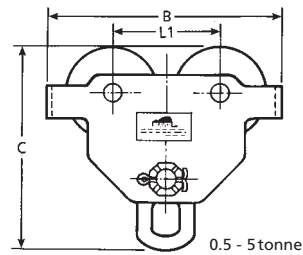
- Beaver Push and Geared Girder Trolleys are colour coded for even safer lifting capacity recognition.
- These Push and Geared Trolleys are designed to run on either RSJ or Universal Beams.
- All Beaver Push and Geared Trolleys are fully adjustable to suit varying flange widths up to a maximum of 350mm with the simple addition or subtraction of spacers or nuts on a suspension pin.
- Easy and simple mounting in different locations.
- Independent hanging eye for easy attachment of chain blocks.
- Precision ball bearing trolley wheels complete with dust cover and clip.
- Lightweight robust all-steel construction.
- Anti-derailment end plates fitted as standard for added safety.
- Anti-tilt blocks fitted as standard for additional safety.
- Hand chain on Geared Trolleys has a special, corrosion resistant Zinc dichromate (gold) finish.
- Each Beaver Girder Trolley has an individual serial number stamped on the stainless steel identification plate. This number coincides directly to the test certificate of the product, for quick and easy tracing and reference.
- Every Beaver Girder Trolley is operationally tested to 150% of its rated capacity and comes with a test certificate.
- Spare trolley wheels are available, complete with full repair facilities and re-testing in Beaver's NATA Accredited test facility.



Beaver Push Girder Trolleys

Complies to AS 1418.2 - Orange Colour

Product Code	522015S
Capacity W.L.L. (kg)	1500
Beam Width (mm)	74 - 203
Proof Load (kN)	22.06
Standard Lift (m)	3
Effort Rated Capacity (N)	70
Minimum Radius of Curve (m)	1
A (mm) (Overall width)	338
B (mm) (Length)	260
C (mm)	238
D (mm)	45
E (mm)	38
F (mm)	1.5-3
G (mm)	33
H (mm) (Headroom)	134
I (mm) (Flange Dia.)	102
J (mm)	74
L1 (mm)	125
Net Weight (kg)	17.5



Beaver Push & Geared Girder Trolleys are not designed for passenger elevator applications and must not be used for this purpose. Selection and calculation of the proper beam construction are the responsibility of the user.

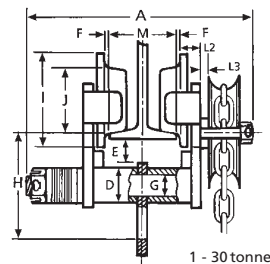
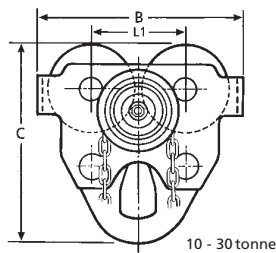
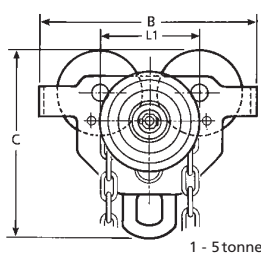
BEAVER PUSH AND GEARED GIRDER TROLLEYS (CONT'D)

Beaver Geared Girder Trolleys

Complies to AS 1418.2 and approved Colour Coded to Match International Lifting Standard

Product Code	523010S	523020S	523030S	523050S	523100S	523200S	523300S
Rated Capacity	1 tonne	2 tonne	3 tonne	5 tonne	10 tonne	20 tonne	30 tonne
Colour Code	Violet	Green	Yellow	Red	Orange	Orange	Orange
Proof Load (kN)	14.71	29.42	44.13	61.29	122.58	245.17	367.74
Adjustable Beam Width (mm)	64-203	88-203	100-305	114-305	124-305	136-305	175-305
Standard Lift (m)	3	3	3	3	3	3	3
Effort at Rated Capacity (N)	50	90	95	140	240	250	250
Minimum Radius of Curve (m)	1.0	1.1	1.3	1.4	2.0	3.5	6.0
A (mm) (Overall Width)	338	349	464	476	510	600	673
B (mm) (Length)	246	276	332	377	424	555	710
C (mm)	222	263	309	353	396	498	598
D (mm)	40	52	58	64	64	75	90
E (mm)	38	38	40	42	45	58	65
F (mm)	1.5 - 3	1.5 - 3	1.5 - 3	2 - 3.5	2 - 3.5	2 - 3.5	2 - 3.5
G (mm)	30	36	42	48	48	55	65
H (mm) (Headroom)	125	150	171	186	190	233	285
I (mm) (Flange Dia.)	95	108	131	144	176	226	286
J (mm)	68	80	100	110	136	175	200
L1 (mm)	120	132	155	168	200	272	330
L2 (mm)	23	26	29	35	52	78	100
L3 (mm)	8	8	10	10	25	58	82
Net Weight (kg)	14.5	21.5	31	46	75	172	337

Beaver Push & Geared Girder Trolleys are not designed for passenger elevator applications and must not be used for this purpose. Selection and calculation of the proper beam construction are the responsibility of the user.

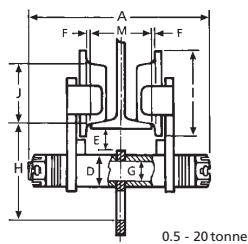
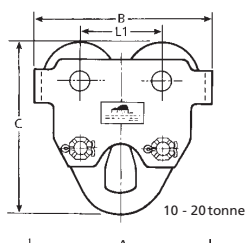
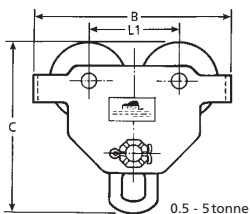


Beaver Push Girder Trolleys

Complies to AS 1418.2 and approved Colour Coded to Match International Lifting Standard

Product Code	522005S	522010S	522020S	522030S	522050S	522100S	522200S
Rated Capacity	500 kg	1 tonne	2 tonne	3 tonne	5 tonne	10 tonne	20 tonne
Colour Code	White	Violet	Green	Yellow	Red	Orange	Orange
Proof Load (kN)	7.35	14.71	29.42	44.13	61.29	122.58	245.17
Adjustable Beam Width (mm)	50-152	64-203	88-203	100-305	114-305	124-305	136-305
Minimum Radius of Curve (m)	0.8	1	1.1	1.3	1.4	2	3.5
A (mm) (Overall Width)	245	311	327	445	457	490	558
B (mm) (Length)	199	246	276	332	377	424	555
C (mm)	187	222	263	309	353	396	498
D (mm)	34	40	52	58	64	64	75
E (mm)	30	38	38	40	42	45	58
F (mm)	1.5 - 3	1.5 - 3	1.5 - 3	1.5 - 3	2 - 3.5	2 - 3.5	2 - 3.5
G (mm)	24	30	36	42	48	48	55
H (mm) (Headroom)	105	125	150	171	196	190	233
I (mm) (Flange Dia.)	79	95	108	131	144	176	226
J (mm)	55	68	80	100	110	136	175
L1 (mm)	100	120	132	155	168	200	272
Net Weight (kg)	6.5	10.5	17.5	27	41	71	168

Beaver Push & Geared Girder Trolleys are not designed for passenger elevator applications and must not be used for this purpose. Selection and calculation of the proper beam construction are the responsibility of the user.



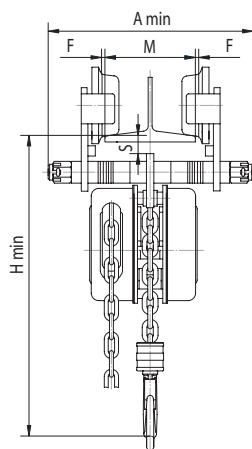
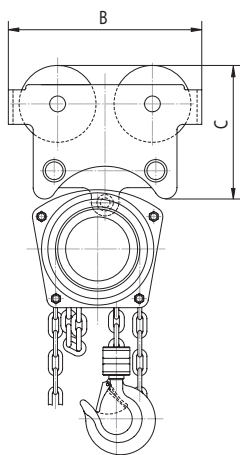
BEAVER PUSH AND GEARED GIRDER TROLLEYS (CONT'D)

Beaver Close Headroom Push Girder Trolleys

(to suit 3G chain blocks) Complies to AS 1418.2

Product Code	522005SC	522010SC	522020SC	522030SC	522050SC
Rated Capacity	500 kg	1 tonne	2 tonne	3 tonne	5 tonne
Colour Code	White	Violet	Green	Yellow	Red
Proof Load (kN)	7.35	14.71	29.42	44.13	61.29
Adjustable Beam Width (mm)	50-152	64-203	88-203	100-305	114-305
Minimum Radius of Curve (m)	0.8	0.9	1	1.2	1.3
A (mm) (Overall Width)	236	303	317	435	457
B (mm) (Length)	199	246	276	332	377
C (mm)	31.5	164	183	224	246
H (mm)	300	385	480	520	640
S (mm)	30	38	38	40	42
F (mm)	1.5 - 3	1.5 - 3	1.5 - 3	1.5 - 3	1.5 - 3
M (mm)	50-152	64-203	88-203	100-305	114-305
Net Weight (kg)	14	23.5	39	59.5	89

Beaver Push & Geared Close Coupled Girder Trolleys are not designed for passenger elevator applications and must not be used for this purpose. Selection and calculation of the proper beam construction are the responsibility of the user.

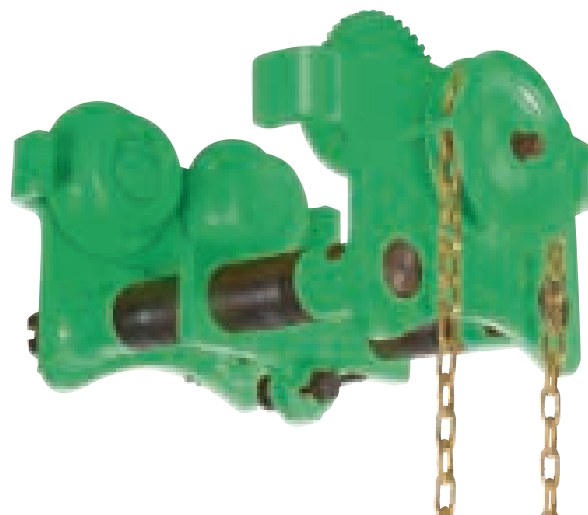
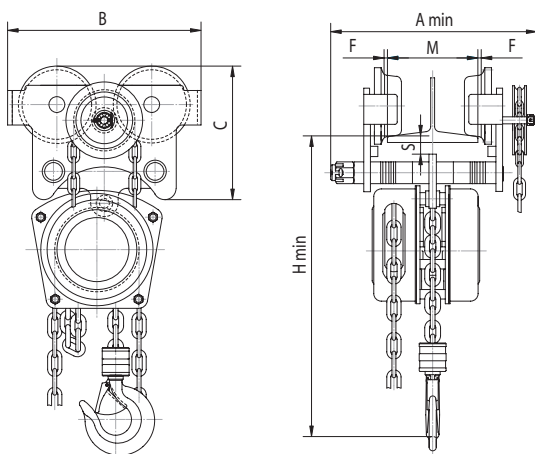


Beaver Close Headroom Geared Girder Trolleys

(to suit 3G chain blocks) Complies to AS 1418.2

Product Code	523010SC	523020SC	523030SC	523050SC
Rated Capacity	1 tonne	2 tonne	3 tonne	5 tonne
Colour Code	Violet	Green	Yellow	Red
Proof Load (kN)	14.71	29.42	44.13	61.29
Running Height	2.5	2.5	2.5	2.5
Chain Pull (full load) (kg)	50	90	95	140
Adjustable Beam Width (mm)	64-203	88-203	100-305	114-305
Minimum Radius of Curve (m)	0.9	1	1.2	1.3
A (mm) (Overall Width)	334	343	459	475
B (mm) (Length)	246	276	332	377
C (mm)	164	183	224	246
H (mm)	385	480	520	640
S (mm)	38	38	40	42
F (mm)	1.5 - 3	1.5 - 3	1.5 - 3	1.5 - 3
M (mm)	64-203	88-203	100-305	114-305
Net Weight (kg)	27.5	43	63.5	93

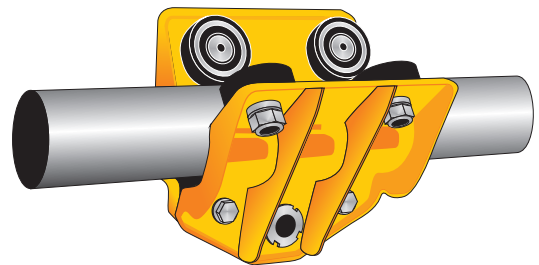
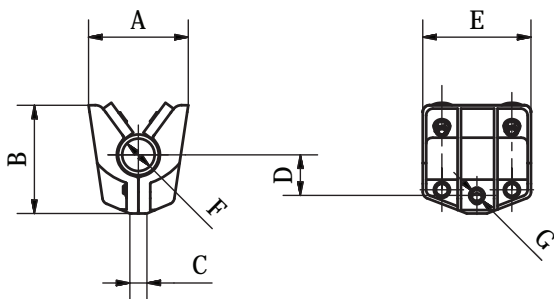
Beaver Push & Geared Close Coupled Girder Trolleys are not designed for passenger elevator applications and must not be used for this purpose. Selection and calculation of the proper beam construction are the responsibility of the user.



BEAVER PIPE TROLLEY

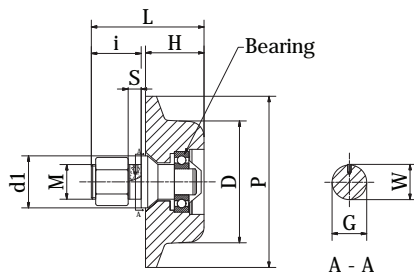
Beaver Pipe Trolley

Code	Capacity W.L.L. (kg)	Pipe Dia.	A mm	B mm	C mm	D mm	E mm	F mm	G mm	Weight (kg)	UOM
522003PT	300	60	147.5	160	22	68	160	60	17	2.5	Each



Beaver Single Flange Steel Plain Trolley Wheels

Code	Capacity W.L.L. (kg)	L mm	H mm	i mm	S mm	d1 mm	M mm	D mm	P mm	G mm	W mm	Weight (kg)	UOM
525005S	0.5	52.5	27	23	6	24	16	55	79	16	17.6	1.8	Each
525010S	1	60	30	27	8	27	18	68	95	19	20.6	2	Each
525020S	2	72	34	34	10	35	24	80	108	25	27	2.8	Each
525030S	3	83	39	41	12	42	30	100	131	35	32	4	Each
525050S	5	102	50	49	16	45	36	110	144	35	38.5	4.8	Each
525100S	10	129.5	58	68	30	60	42	136	176	48	52	6.2	Each

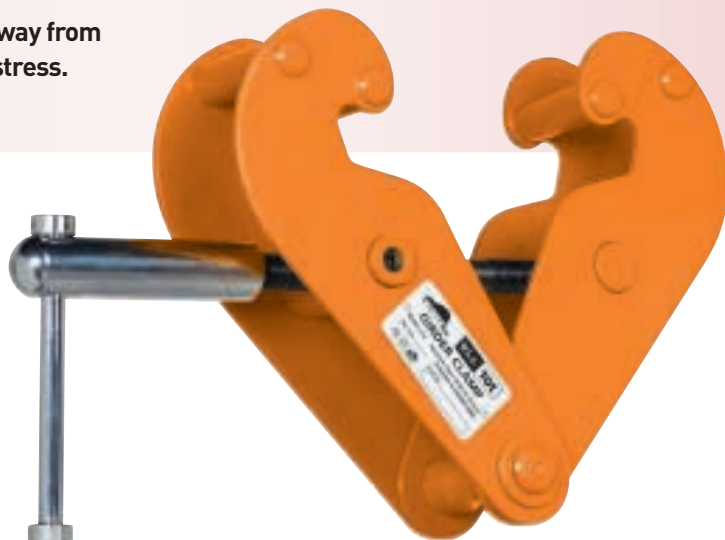


BEAVER GIRDER CLAMPS



Beaver are proud to introduce our range of colour coded Girder Clamps, giving instant recognition to the user of the clamp capacity. Designed to provide a quick and versatile point for all your lifting, rigging and hoisting needs.

- The Girder Clamps are colour coded for even safer lifting capacity recognition.
- The threaded adjustment mechanism easily attaches to the beam or girder flange to provide a safe and secure grip.
- Additional security is provided by threaded adjustment screws secured by using the counter-sunk allen head screw to lock the threaded adjustment bar in position with a copper flat.
- Easy and simple mounting for permanent or temporary mounting in different locations.
- Adjustable to fit a wide range of flange widths and beams.
- Special clamp jaw design applies load away from the edge of the flange, reducing flange stress.
- Built-in load bar provides reduced headroom.
- Robust all steel construction.
- Every Beaver Girder Clamp has an individual serial number stamped on the body of the clamp and also on the stainless steel identification plate. This number coincides directly to the test certificate of the product for quick and easy tracing and reference.
- All Beaver Girder Clamps are operationally tested to 150% of the Working Load Limit (W.L.L.) and come with individual test certificates.
- Complies to AS 4991



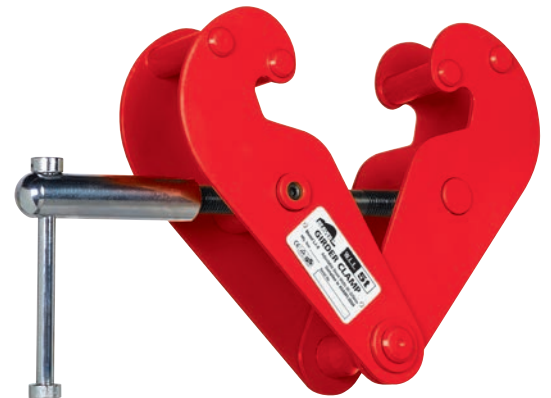
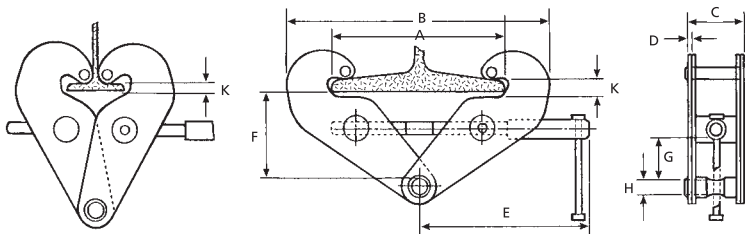
BEAVER GIRDER CLAMPS (CONT'D)

Beaver Girder Clamps - Model Type: YC - Industrial

Complies to AS 4991 and approved Colour Coded to Match International Lifting Standard

Product Code	270010Y	270020Y	270030Y	270050Y	270100Y
Working Load Limit (kg)	1000	2000	3000	5000	10000
Colour Code	Violet	Green	Yellow	Red	Orange
Adjustable Beam Width (mm)	75 - 230	75 - 230	80 - 320	90 - 320	90 - 320
Net Weight (kg)	3.8	4.6	9.2	11.0	17.2
A max. (mm)	246	246	320	320	320
B	min. (mm)	186	186	242	268
	max. (mm)	350	350	455	480
C	66	74	102	110	118
D	4	6	8	10	12
E	215	215	255	255	275
F	min. (mm)	90	90	143	133
	max. (mm)	133	133	195	185
G min.	44	44	75	75	66
H	20	20	22	28	38
K	min. (mm)	14	14	30	34
	max. (mm)	21	21	34	35

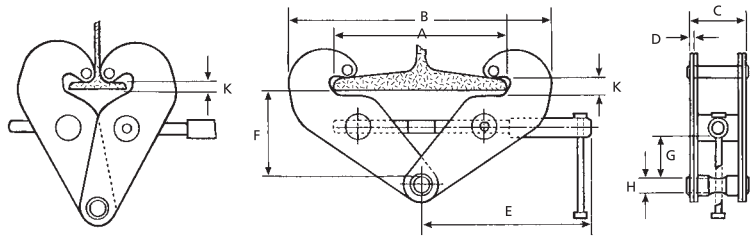
Beaver Push & Geared Close Coupled Girder Trolleys are not designed for passenger elevator applications and must not be used for this purpose. Selection and calculation of the proper beam construction are the responsibility of the user.



Beaver Entertainment Girder Clamps

Black Powder Coated. Model Type: YE. Complies to AS 4991 and approved

Product Code	270010YE	270020YE
W.L.L. (kg)	1000	2000
Colour	Black	Black
Beam Width (mm)	75-250	75-250
Net Weight (kg)	3.80	4.80
A Max. (mm)	266	266
B Min. (mm)	186	186
B Max. (mm)	400	400
C (mm)	66	74
D (mm)	4	6
E (mm)	230	230
F Min. (mm)	90	90
F Max. (mm)	115	115
G Min.	44	44
H (mm)	20	20
K Min. (mm)	14	14
K Max. (mm)	21	21



BEAVER GIRDER CLAMPS (CONT'D)



Beaver Integral Push Trolley and Girder Clamp

The Beaver Integral Push Trolley and Girder Clamp is designed to provide a quick and easy attachment to overhead beams for transporting loads for permanent or temporary mounting in different locations. The integral clamp is adjustable to the beam width in the same manner as the Beaver Girder Clamp (model YC), by rotating the threaded spindle. Complies to AS 1418.2.

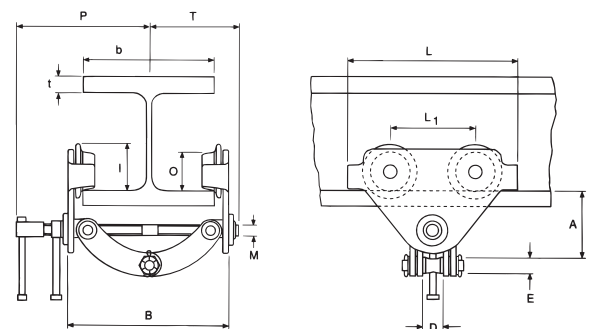
- ▶ For additional safety the threaded adjustment mechanism is secured by tightening the locking lever against the sideplate.
- ▶ Threaded spindle mechanism, zinc plated for superior corrosion protection.
- ▶ Easily adjustable to suit a wide range of flange widths and beams from 75mm to 200mm.
- ▶ Robust steel construction with durable enamel paint finish in yellow for YT and black for YTE models.
- ▶ Built-in load bar for reduced headroom.
- ▶ Every Beaver Integral Push Trolley and Girder Clamp has an individual serial number stamped on the body of the clamp and also onto the aluminium identification plate which is securely mounted to the trolley side plate. This number coincides directly to the test certificate of the product for quick and easy tracing and reference.
- ▶ All Beaver Integral Push Trolley and Girder Clamps are operationally tested to 150% of the rated capacity and come with individual test certificates.

Beaver Integral Push Trolley and Girder Clamps

Yellow Powder Coated Model Type:

YT Complies to AS 1418.2

Product Code	270010YT	270020YT	270030YT
W.L.L. (kg)	1000	2000	3000
Beam Width (mm)	75-200	75-200	75-200
A (mm)	80-152	106-155	128-171
D (mm)	42	42	50
E (mm)	20	20	22
I (mm)	71.5	71.5	95.5
L (mm)	260	260	310
L1 (mm)	130	130	150
M (mm)	M16	M18	M24
O (mm)	60	60	60
P (mm)	195	205	220
T (mm)	155	139	155
t (mm)	25	25	25
Net Weight (kg)	9.40	9.90	17.50

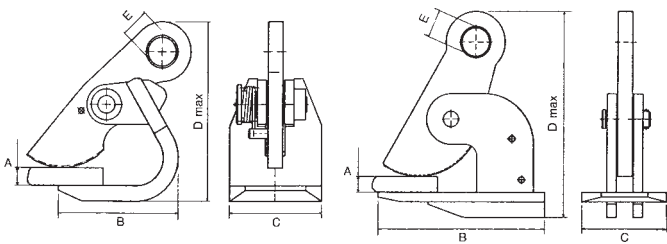


BEAVER HORIZONTAL & VERTICAL PLATE CLAMPS

Beaver Horizontal Plate Clamps

Model Type: CQ Complies to AS 4991

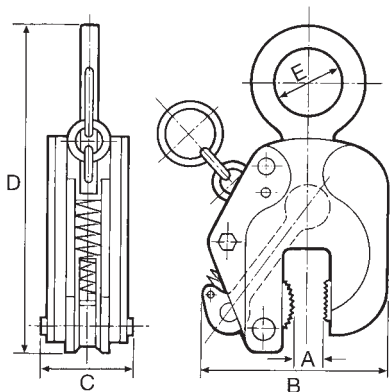
Product Code	W.L.L. per pair (kg)	Jaw Openings Max. mm	A mm	B Max. mm	C mm	D mm	E mm	Net Weight per pair (kg)
250150A	1500	50	0-50	127	100	218	30	8.2
250300A	3000	50	0-50	220	110	270	36	15
250500A	5000	60	0-60	260	130	315	40	27.6



Beaver Vertical Plate Clamps

Model Type: VC Complies to AS 4991

Product Code	W.L.L. (kg)	A Jaw Openings mm	B mm	C mm	D mm	E mm	Net Weight per pair (kg)
261130	1000	0-30	144	70	286	60	3.6
261240	2000	0-40	170	82.5	297	60	5
261350	3000	0-50	207	88	336	60	7.7

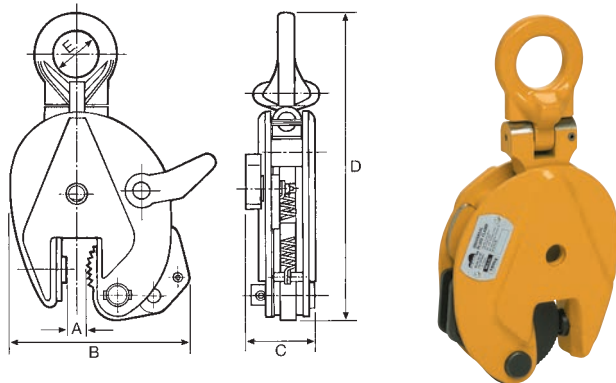


BEAVER MATERIALS HANDLING

Beaver Universal Plate Clamps

Model Type: UC Complies to AS 4991

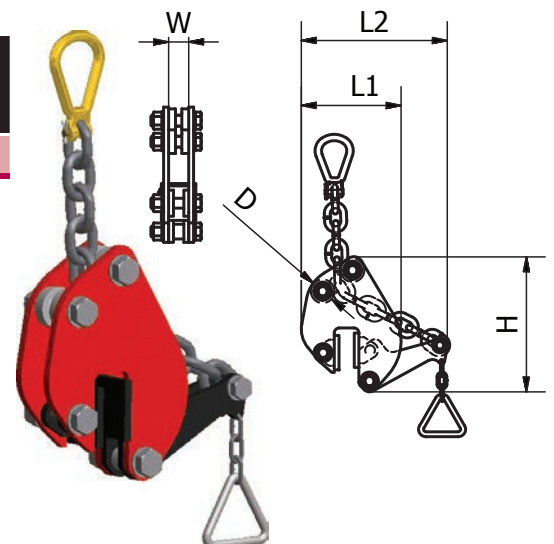
Product Code	W.L.L. (kg)	A Jaw Openings mm	B mm	C mm	D mm	E mm	Net Weight (kg)	UOM
261050	500	0 - 15	105	45	218	30	2	Each
261075	750	0 - 15	105	45	218	30	2	Each
261100	1000	0 - 20	145	63	305	48	5	Each
261200	2000	0 - 25	175	68	368	68	7.5	Each
268300	3000	0 - 28	218	90	395	74	15.5	Each
268500	5000	0 - 32	268	120	478	80	22	Each



Beaver Non Marring (Non Marking) Plate Clamps for Stainless Steel

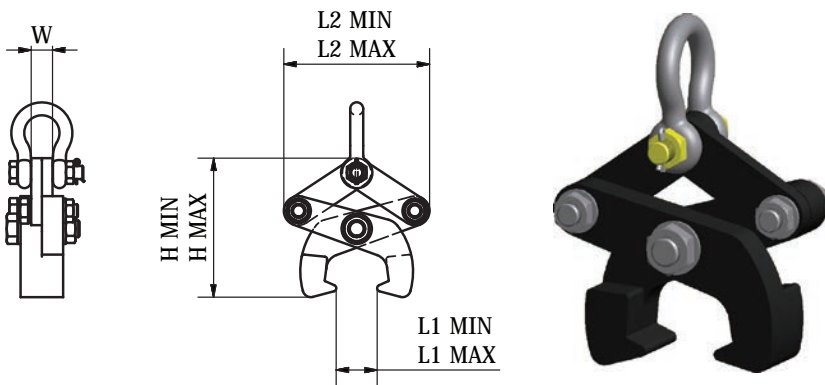
Complies to AS 4991

Product Code	W.L.L. (kg)	Jaw Opening mm	W mm	L1 mm	L2 mm	D mm	H mm	Nett Weight (Kg)	UOM
267400	1500	0 - 20	41	203	297.5	48	275	6.6	Each



Railway Line Lifting Tongs

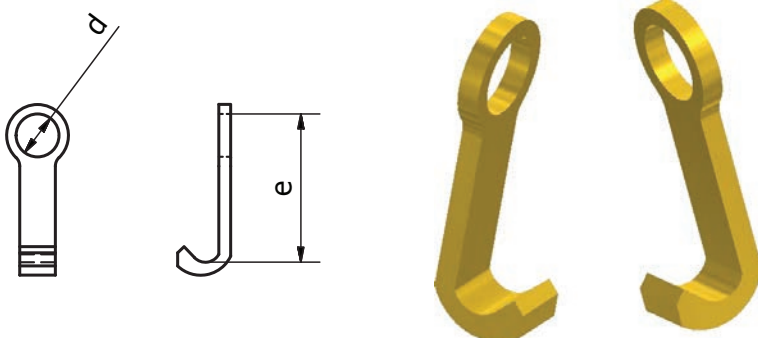
Product Code	W.L.L. (kg)	Weight (Kg)	L1 min mm	L1 max mm	L2 min mm	L2 max mm	H min mm	H max mm	W mm	UOM
263150R	1500	7.5	0	80	190	220	265	180	26	Each



Beaver Drum Hooks - Drop forged Grade 80 Heat treated, Painted Yellow

Complies to AS 3776 for Grade 80 Fittings

Product Code	W.L.L. per pair (kg)	Grade 80 Chain mm	d mm	e mm	Net Weight per Pair (kg)	UOM
886840	2000	40397	40	165	1.8	Each

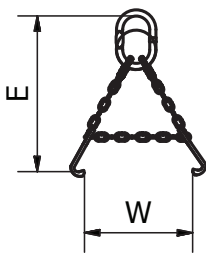


BEAVER MATERIALS HANDLING (CONT'D)

Drum Lifting Sling Assembly

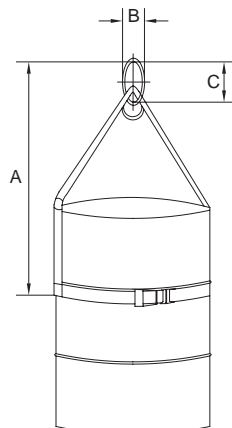
Including oblong link, chain connectors, grade 80 alloy chain & Drum hooks. Intended for use with steel 205 Litre (ie. 44 gallon) drums in accordance with the diagram as displayed complying to Australian Standard for Chain Slings

Product Code	W.L.L. (kg)	Grade 80 Chain mm	Chain Length m	E mm	W Drum Size Ltr	Net Weight (kg)	UOM
263507K	1000	7	2.5	1139	200	4.5	Each



Beaver Drum Lifting Web Sling c/w Oblong Link

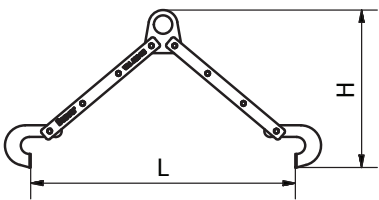
Product Code	W.L.L. Tonne	Webbing mm	A mm	B mm	C mm	Net Weight (kg)	UOM
346001F	500	50	1100	65	110	2.8	Each



Horizontal Drum Lifting Clamps

Complies to AS 4991

Product Code	W.L.L. Tonne	Type	L Drum Size Ltr	H mm	Net Weight (kg)	UOM
261500	500	Horizontal	200	152	7	Each



Beaver Vertical Drum Lifting Clamps

Complies to AS 4991

Product Code	W.L.L. Tonne	Type	L Drum Size Ltr	H mm	Net Weight (kg)	UOM
262500	500	Vertical	200	470	5	Each

